

2800



## GENERAL SPECIFICATION

**Housing:** Round metal frame consisting of modules combined together for electrical and mechanical connections. Bubble comes in the following diameter of 2800mm (110.0").

**Diffusers:** Injection molded, UV stabilized, opal polycarbonate. Diffusers are sectional with subtle but visible seams. Bubble 2800, 16 diffusers.

**Power cables:** Luminaires supplied with 7.8m/20' of cable. Cables can be extended to a maximum overall distance of 20m/64'. Custom cable lengths can be supplied to special order.

**Drivers:** Luminaires supplied with HPF electronic drivers, 120/277V. 0-10V dimming standard.

**Mechanical:** Luminaires mount directly over a junction box.

**Finish:** White RAL 9003.

**L70 @25deg C (77deg F):** >50,000 hrs.

**Delivered Lumens:** Delivered lumens & LPW based on 3000K (min 80 CRI).

## MOUNTING & OPTICS



Suspended 2 sides



General Diffuse

## HOW TO ORDER

### A SPECIFY LUMINAIRE

Code	Diameter	Power (LED)	Delivered lms	LPW	Weight
<b>BCBBWH886</b>	110" (2800mm)	564W	37282	66	165.3lb (75kg)

### B SPECIFY CCT

<b>30</b>	3000K (min 80 CRI)
<b>35</b>	3500K (min 80 CRI)
<b>40</b>	4000K (min 80 CRI)

### C SPECIFY POWER SUPPLY

<b>IPS</b>	Integral Power Supply
<b>RPS</b>	Remote Power Supply

### D SPECIFY SUSPENSION

<b>LP</b>	Low Profile Pd (8 suspension cables connected to the central joint)
<b>AP</b>	Adjust. Pd (8 cables connected to central joint & 4 adjust. cables)
<b>CM</b>	Ceiling Mount (8 suspension cables L=2000mm/79")

#### Additional Information

LP (Low Profile Pd) option not available with IPS (Integral Power Supply)

### E SPECIFY LUMEN OUTPUT

<b>L0</b>	100% of standard output
<b>L1</b>	Lumen & wattage reduction to approximately 75% of standard output
<b>L2</b>	Lumen & wattage reduction to approximately 50% of standard output
<b>L3</b>	Lumen & wattage reduction to approximately 25% of standard output

#### Additional Information

Custom reduction percentages available upon request.

### F SPECIFY ACCESSORIES

<b>150A031VE</b>	Umbrella tool for assembly (Retains structural integrity during the installation process)
------------------	---

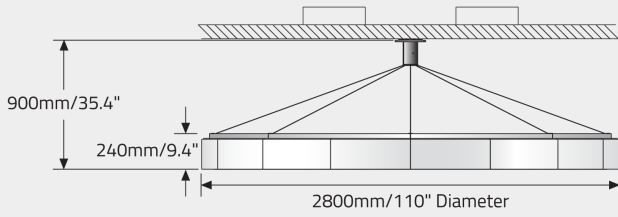
#### Additional Information

1. One required per order

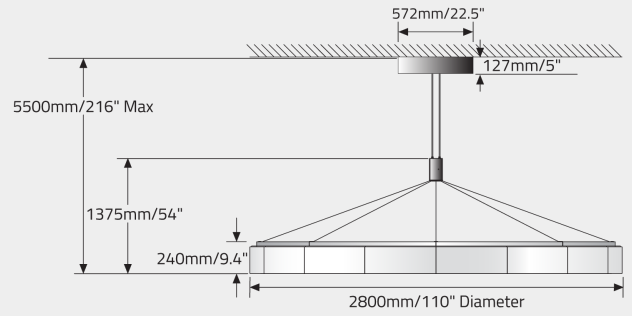
### EXAMPLE CODE

BCBBWH886/35/IPS/AP

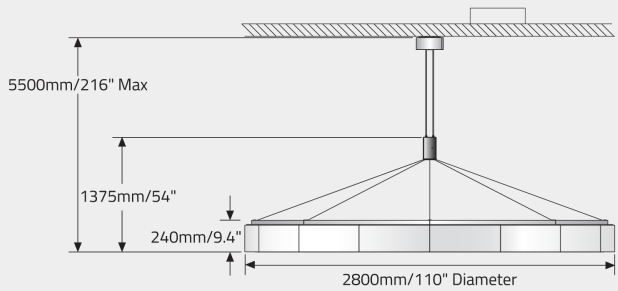
## DIMENSIONAL DIAGRAMS



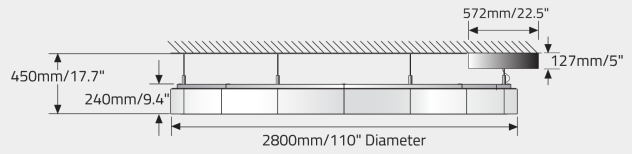
**Low Profile Pendant with Remote Power Supply.**



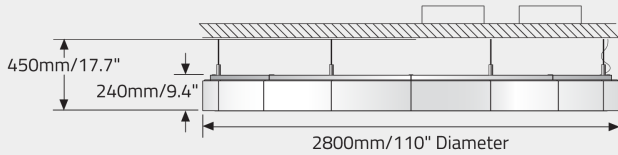
**Adjustable Pendant with IPS option**



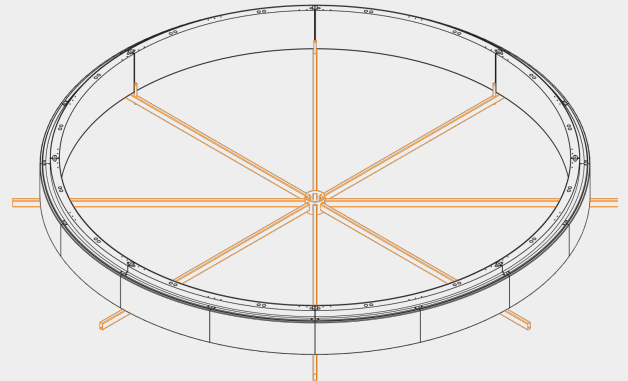
**Adjustable Pendant with RPS option**



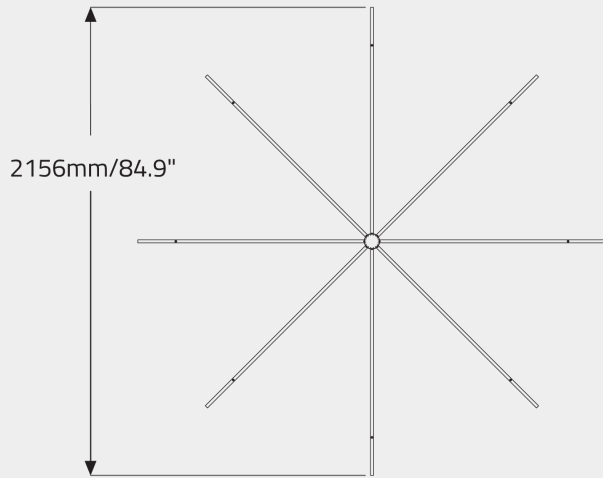
**Ceiling Mounting with IPS option**



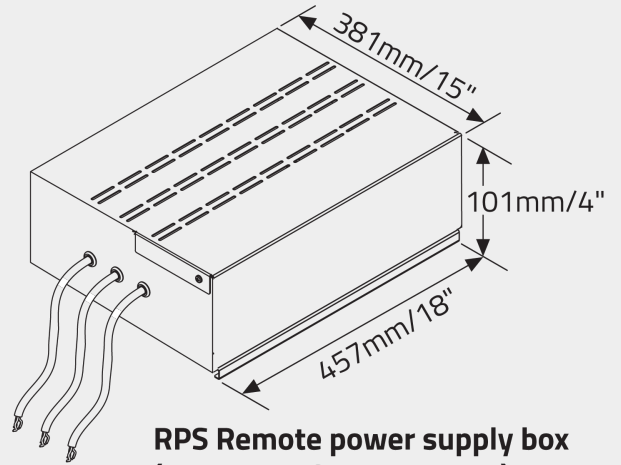
**Ceiling Mounting with RPS option**



**Umbrella tool for assembly**



**150A031VE UMBRELLA**



**RPS Remote power supply box  
(2 required for LP and CM)**

## APPROVALS



IP20