

GENERAL SPECIFICATION

Body and trim: Steel and extruded aluminum. Trim claws, die cast alloy.

Finish: Back plate, powder coated gloss white. Side trim, brushed aluminum. Trim claws, as listed.

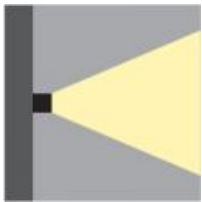
Diffuser: Opal acrylic.

Dust covers: Opal Polycarbonate.

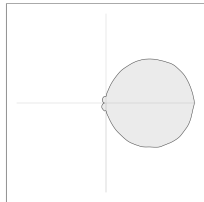
Drivers: HPF, electronic for 120-277V (EU-240V), 0-10V dimming (10%) standard.

Delivered Lumens: Delivered lumens & LPW based on 3000K (min 80 CRI).

MOUNTING & OPTICS



Wall



70 1050

HOW TO ORDER

A SPECIFY LUMINAIRE

Code	Power (LED)	Delivered lms	LPW
70 1050	21W	1676	81

B SPECIFY CCT

30	3000K (min 80 CRI)
35	3500K (min 80 CRI)
40	4000K (min 80 CRI)

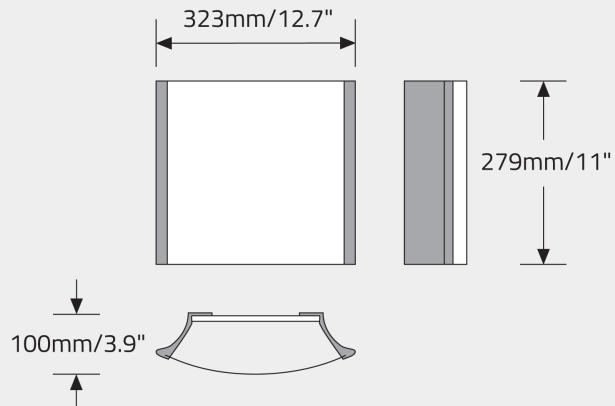
C SPECIFY OPTIONS

TM	Trim Claws, Silver Metallic
TB	Trim Claws, Black Chrome
TC	Trim Claws, Polished Chrome
TP	Trim Claws, Polished Brass
TS	Trim Claws, Satin Brass

EXAMPLE CODE

701050/30/TM

DIMENSIONAL DIAGRAMS



APPROVALS

