



GENERAL SPECIFICATION

Body and trim: Steel and extruded aluminum.

Finish: Back plate, powder coated gloss white. Side trim, powder coated gloss white. Cover, finished as listed.

Diffuser: Opal acrylic.

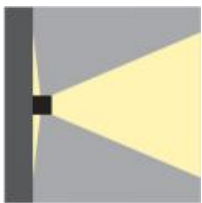
Dust covers: Opal Polycarbonate.

Drivers: HPF, electronic for 120-277V (EU-240V), 0-10V dimming standard (10%).

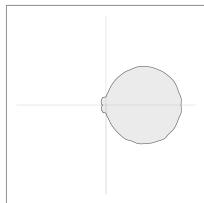
Mechanical: Luminaires mount directly to a junction box.

Delivered Lumens: Delivered lumens & LPW based on 3000K (min 80 CRI).

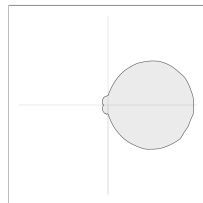
MOUNTING & OPTICS



Wall Front/Back



41 1701



41 1713

HOW TO ORDER

A SPECIFY LUMINAIRE

Code	Power (LED)	Delivered lms	LPW	Weight
41 1701	15W	1202	82	4.4lb (2Kg)
41 1713	21W	1714	82	4.4lb (2Kg)

B SPECIFY CCT

30	3000K (min 80 CRI)
35	3500K (min 80 CRI)
40	4000K (min 80 CRI)

C SPECIFY COVER FINISH

WH	White
MS	Silver Metallic
AB	Antique brass
SB	Satin brass
SN	Satin nickel
OT	Other painted finish (RAL number required)
F40	Other Non-RAL painted finish (sample chip required)

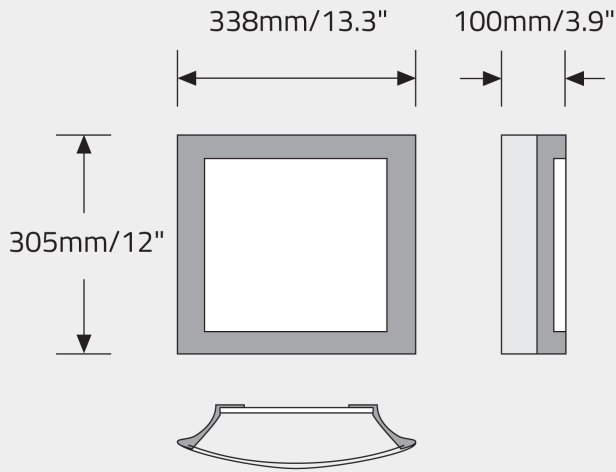
Additional Information

OT & BL1 have a one time set-up charge regardless of quantity.

EXAMPLE CODE

411701/35/MS

DIMENSIONAL DIAGRAMS



APPROVALS

