



## GENERAL SPECIFICATION

**Body and trim:** Steel and aluminium (extruded).

**Array housings:** Die cast aluminium.

**Gimbal:** Fully articulating on two axes.

**Reflectors:** Medium and wide beam. Highly reflective, specular finish, vacuum plated.

**Protective lens:** Clear glass.

**Mounting:** Mounts directly over a 2"x3" switch box (by others).

**Orientation:** Ceiling or wall. May be inverted.

**Visible cable:** Silver.

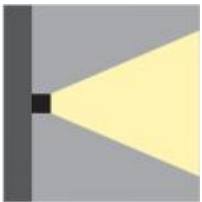
**Finish:** Powder coated, as specified.

**Drivers:** HPF electronic for 120-277V (EU-240V). 0-10V dimming.

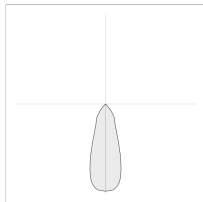
**L70 @25deg C (77deg F):** > 60,000 hrs.

**Delivered Lumens:** Delivered lumens & LPW based on 3000K (min 80 CRI).

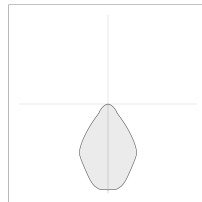
## MOUNTING & OPTICS



Wall



50 2210-26W-ME-36  
DEG



50 2210-26W-XW-70  
DEG



## HOW TO ORDER

### A SPECIFY LUMINAIRE

Code	Power (LED)	Delivered lms	LPW
50 2210	1 x 26W (Type A)	1 x 2085	80
50 2215	1 x 26W (Type B)	1 x 2085	80
50 2220	2 x 26W	2 x 2085	80
50 2230	3 x 26W	3 x 2085	80
50 2240	4 x 26W	4 x 2085	80

### B SPECIFY CCT/CRI

30A	3000K (min 80 CRI)
30B	3000K (min 90 CRI)
35A	3500K (min 80 CRI)
35B	3500K (min 90 CRI)
40A	4000K (min 80 CRI)
40B	4000K (min 90 CRI)

### C SPECIFY REFLECTORS

ME	Medium 36°
XW	Extra wide 70°

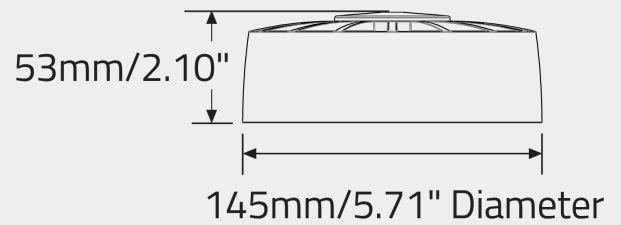
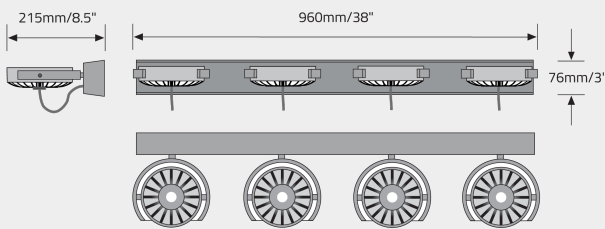
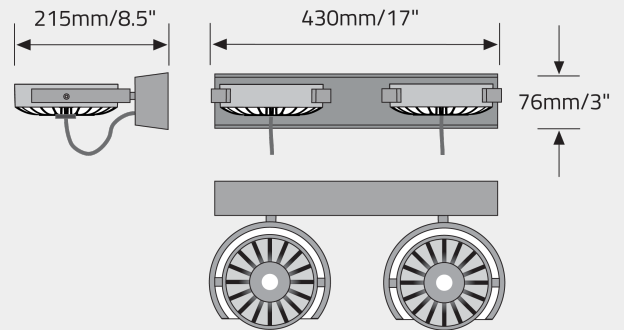
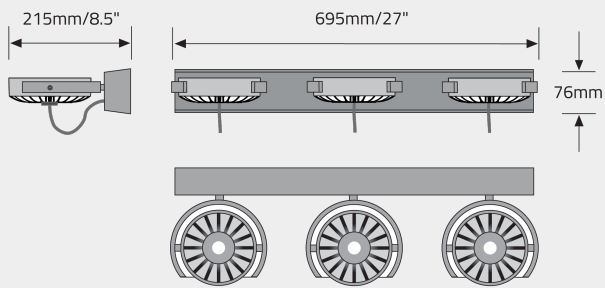
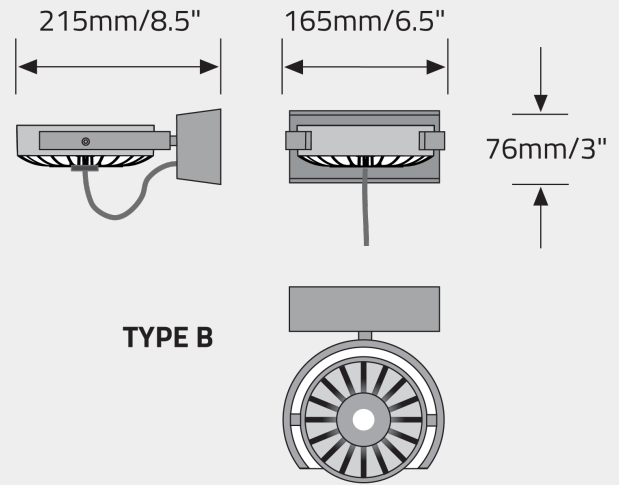
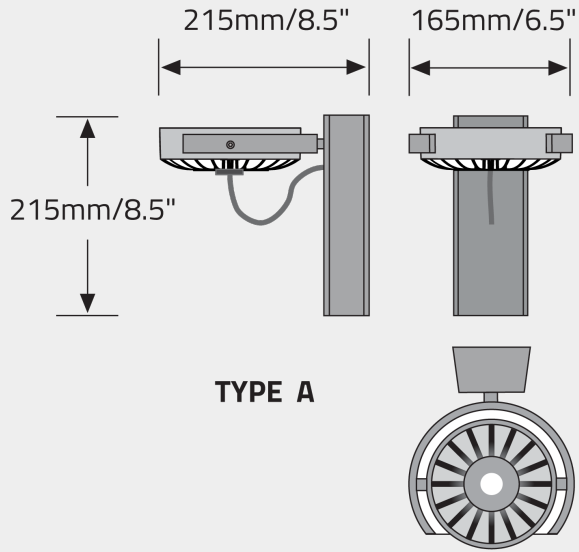
### D SPECIFY FINISH

BL	Black
MS	Silver Metallic
WH	White

### EXAMPLE CODE

502210/30A/ME/BL

## DIMENSIONAL DIAGRAMS



## APPROVALS

