



GENERAL SPECIFICATION

Body and trim: Steel and aluminium.

Suspension: Single tube with four decorative tubes.

Finish: Gear tray, powder coated gloss white. Trim, powder coated or plated as listed.

Diffusers: Acrylic.

Dust covers: Clear polycarbonate.

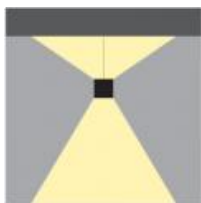
Drivers: HPF electronic, 120/277V (EU-240V), 0-10V, 1% dimming standard.

Remote Emergency: Emergency option provides a 1.5 hour (3 hours for EU) emergency lighting facility. The remote system includes the inverter module, NiCad batteries and a remote wall/ceiling LED charge indicator and test switch (NA only) Maximum distance between wall/ceiling plate and luminaire is 4.5m/15'. Test switch fits a single gang box (not supplied).

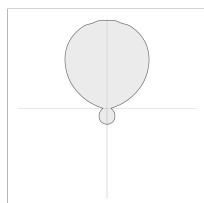
L70 @25deg C (77deg F): > 50,000 hrs.

Delivered Lumens: Delivered lumens & LPW based on 3000K (min 80 CRI).

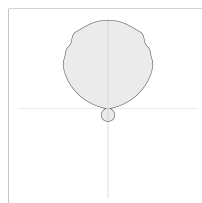
MOUNTING & OPTICS



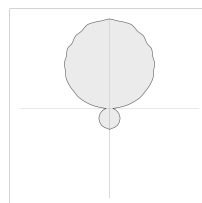
Suspended
Direct/Indirect



68 7010



68 7020



68 7030

HOW TO ORDER

A SPECIFY LUMINAIRE

Code	Power (LED)	Delivered lms	LPW	Diameter (A)	Diameter (B)	Depth (D)	Height (H)	Height (A)
68 7010	150W	15439	103	737mm/29"	145mm/5.7"	165mm/6.5"	610mm/24"	26mm/1"
68 7020	211W	22631	107	940mm/37"	145mm/5.7"	178mm/7"	610mm/24"	26mm/1"
68 7030	282W	30043	107	1194mm/47"	200mm/7.9"	229mm/9"	749mm/29.5"	45mm/1.75"

B SPECIFY CCT

30	3000K (min 80 CRI)
35	3500K (min 80 CRI)
40	4000K (min 80 CRI)

C SPECIFY FINISH

WH	White
MB	Metallic Bronze
MS	Silver Metallic
PC	Polished Chrome
SB	Satin Brass
SC	Satin Chrome
SN	Satin Nickel
OT	Other painted finish (RAL number required)
F40	Other Non-RAL painted finish (sample chip required)

Additional Information

OT & BL1 have a one time set-up charge regardless of quantity.

D SPECIFY DIFFUSER

OP	Opal
FB	Beige Faux Alabaster
FW	White Faux Alabaster

E SPECIFY DIMMING

DA	DALI Drivers
DX	DMX Drivers

F SPECIFY OPOTIONS

RE	Remote Emergency (max distance 10 ft., 120/277V)
CB	Cradle Bars
SW	Swivel Canopy (42 degrees)

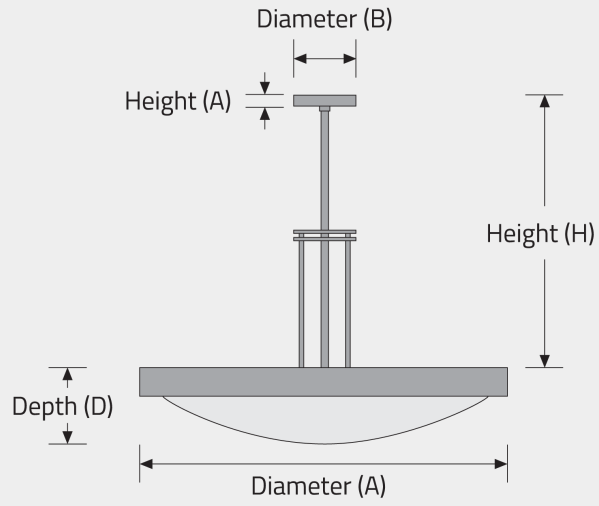
G SPECIFY SUSPENSION LENGTHS

- S1 152mm/6" Additional Suspension Length
- S2 304mm/12" Additional Suspension Length
- S3 454mm/18" Additional Suspension Length
- S4 608mm/24" Additional Suspension Length

EXAMPLE CODE

687010/35/MS/OP

DIMENSIONAL DIAGRAMS



APPROVALS

