



GENERAL SPECIFICATION

Body: Die cast aluminium and steel.

Finish: White powder coated.

Suspension: Two polished chrome plated tubes or three stainless steel cables.

Visible power cable: Silver braided.

Reflectors: Aluminium, specular finish with vertical facets.

Dust cover: Clear polycarbonate.

Drivers: HPF electronic 120-277V (EU-240V), 0-10V dimming standard (10%).

Emergency systems:

Integral: Emergency option provides a 1.5 hour (3 hours for EU) emergency lighting facility. The self contained system includes the inverter module, NiCad batteries, LED charge indicator and test switch (NA only). Integral emergency luminaires have a 50mm/2" extended ballast housing. Not available with a 347V supply.

Remote: Emergency option provides a 1.5 hour (3 hours for EU) emergency lighting facility. The remote system includes the inverter module, NiCad batteries and a remote wall/ceiling LED charge indicator and test switch (NA only) Maximum distance between wall/ceiling plate and luminaire is 4.5m/15'. Test switch fits a single gang box (not supplied).

Mechanical: Luminaires mount directly over a junction box (not



XACARA L INDIRECT

WEB PIN 167

supplied).

Delivered Lumens: Delivered lumens & LPW based on 3000K (min 80 CRI).

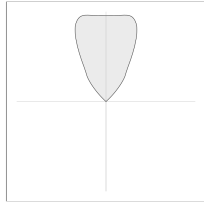
Approvals: Damp Location (Indoor use only).

Note: Photometric testing performed using LM79 procedures.

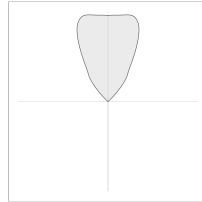
MOUNTING & OPTICS



Suspended Indirect



50 3520



50 3620

HOW TO ORDER

A SPECIFY LUMINAIRE

Code	Power (LED)	Delivered lms	LPW
50 3520	140W (4 LEDs)	13631	103
50 3620	175W (5 LEDs)	17009	103

B SPECIFY CCT/CRI

30A	3000K (min 80 CRI)
30B	3000K (min 90 CRI)
35A	3500K (min 80 CRI)
35B	3500K (min 90 CRI)
40A	4000K (min 80 CRI)
40B	4000K (min 90 CRI)

C SPECIFY SUSPENSION

TS	Tube Suspension
CS	Cable Suspension

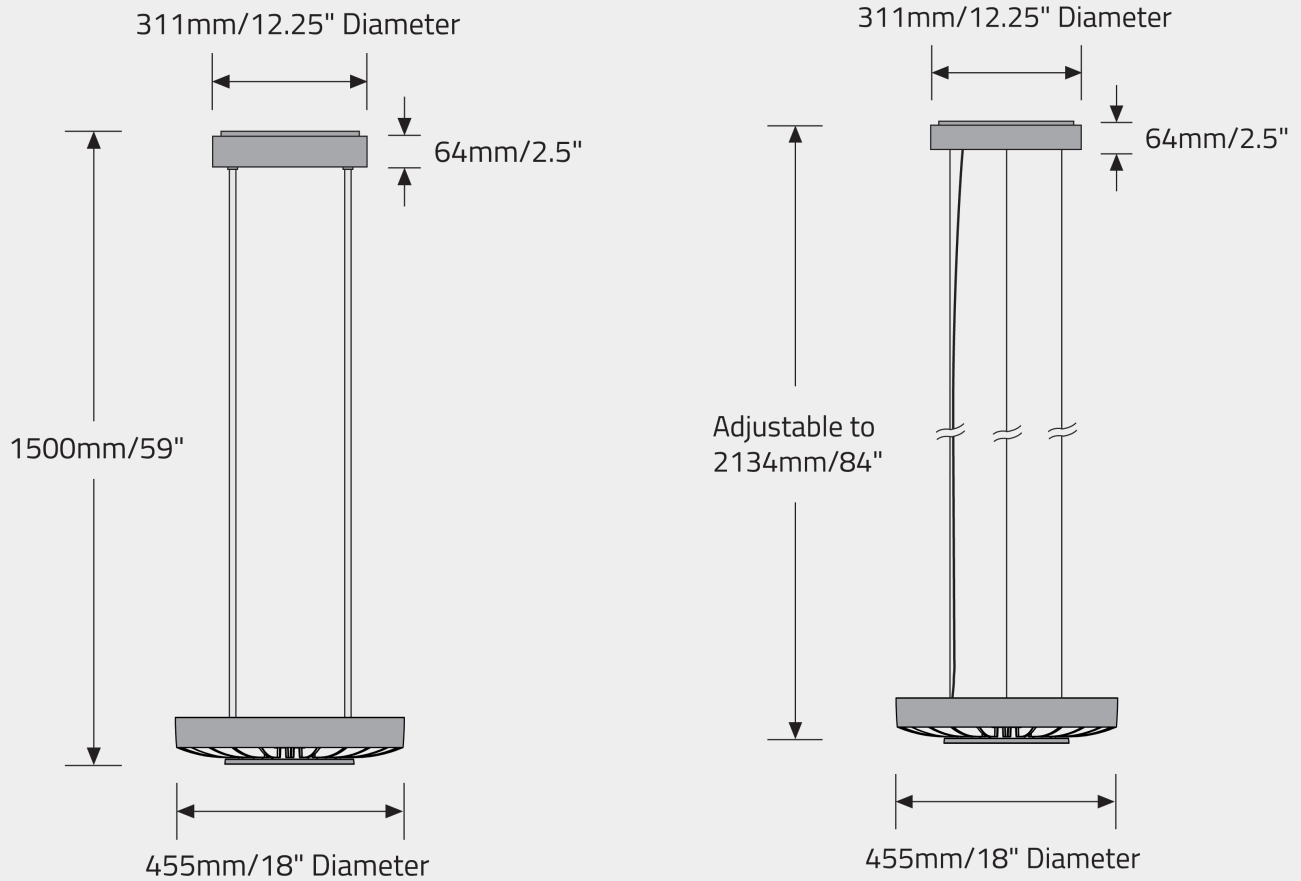
D SPECIFY OPTIONS

RE	Remote Emergency (max distance 15ft. Not available with DALI or 347V)
DA	DALI Dimming (10%) (Not available with RE or 347V)
3	347V (not available with DALI or RE)

EXAMPLE CODE

523520/30A/TS

DIMENSIONAL DIAGRAMS



APPROVALS

