



## GENERAL SPECIFICATION

**Body:** Die cast aluminium and steel.

**Finish:** White powder coated.

**Suspension:** Two polished chrome plated tubes or stainless steel cables.

**Power cable:** Silver braided.

**Reflectors:** Aluminium, specular finish with vertical facets.

**LED protection:** Clear lense.

**Drivers:** HPF electronic 120-277V (EU-240V), 0-10V, 10% dimming.

**Dust cover:** Clear polycarbonate.

**Emergency systems:**

**Integral:** Emergency option provides a 1.5 hour (3 hours for EU) emergency lighting facility. The self contained system includes the inverter module, NiCad batteries, LED charge indicator and test switch (NA only). Integral emergency luminaires have a 50mm/2" extended ballast housing. Not available with a 347V supply.

**Remote:** Emergency option provides a 1.5 hour (3 hours for EU) emergency lighting facility. The remote system includes the inverter module, NiCad batteries and a remote wall/ceiling LED charge indicator and test switch (NA only) Maximum distance between wall/ceiling plate and luminaire is 4.5m/15'. Test switch fits a single gang box (not supplied).

**Mechanical:** Luminaires mount directly over a junction box (not



# XACARA L REFLEKTOR

WEB PIN 161

supplied).

**Delivered Lumens:** Delivered lumens & LPW based on 3000K (min 80 CRI).

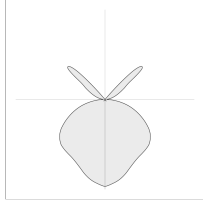
**Approvals:** Damp Location (Indoor use only).

**Note:** Photometric testing performed using LM79 procedures.

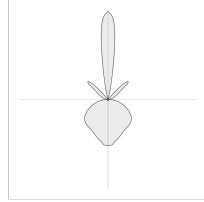
## MOUNTING & OPTICS



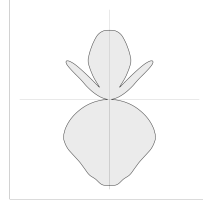
Suspended  
Direct/Indirect



50 2520



50 2520-UH



50 2520-UM

## HOW TO ORDER

### A SPECIFY LUMINAIRE

Code	Power (LED)	Delivered lms	LPW
50 2520	120W (5 LEDs)	9187	77

### B SPECIFY CCT/CRI

30A	3000K (min 80 CRI)
30B	3000K (min 90 CRI)
35A	3500K (min 80 CRI)
35B	3500K (min 90 CRI)
40A	4000K (min 80 CRI)
40B	4000K (min 90 CRI)

### C SPECIFY SUSPENSION

TS	Tube Suspension
CS	Cable Suspension

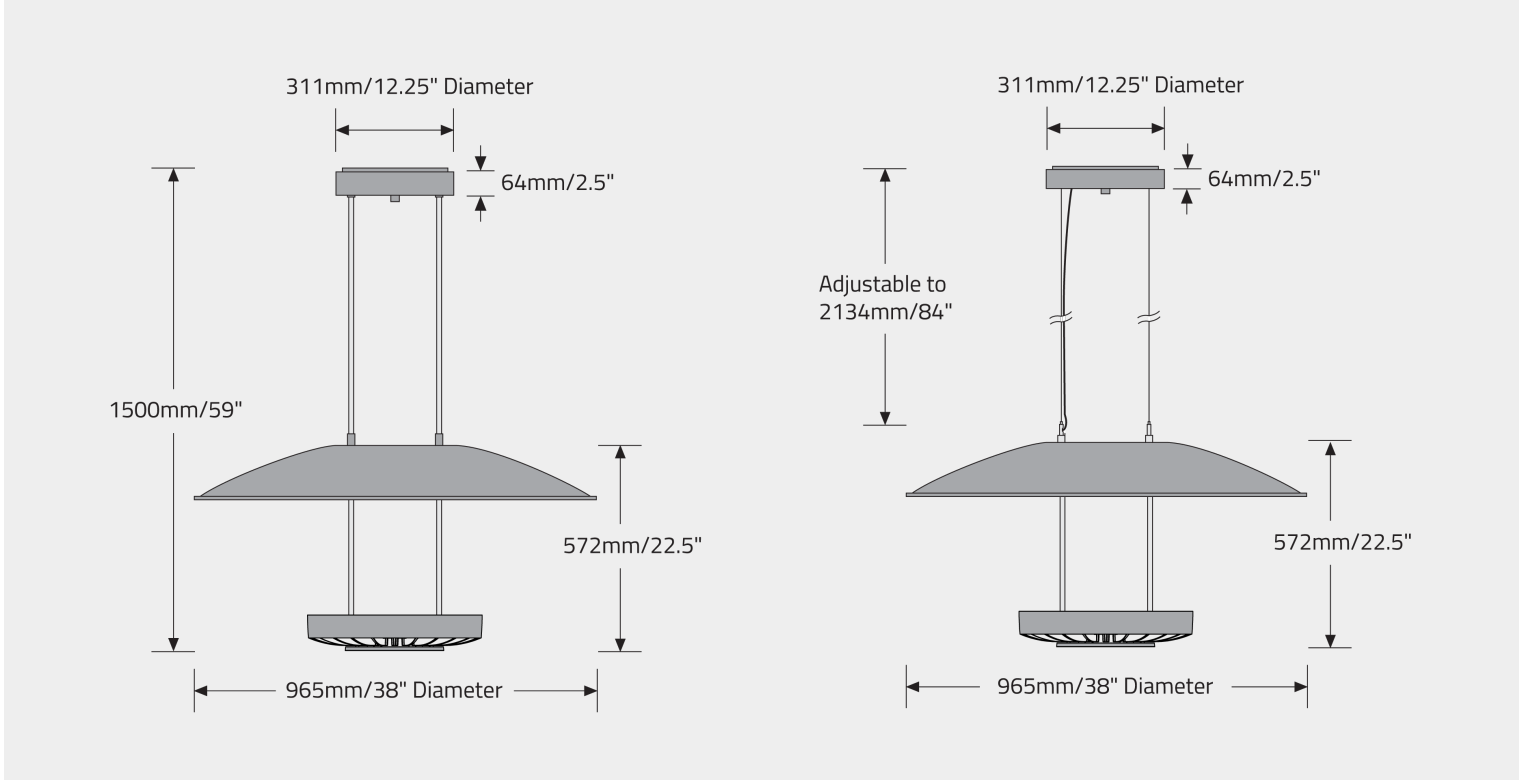
### D SPECIFY OPTIONS

DA	DALI Dimming - 10% (not available with 347V)
RE	Remote Emergency (not available with DALI or 347V)
3	347V (not available with DALI or RE)
SS	Separate Switching (in combination with UM, 0-10V dimming only)
UH	Uplight Hole (152mm/6" dia hole in main reflector provides upwards illumination)
UM	Uplight Module (1x28W Xacara, LED array same as specified in main housing)

### EXAMPLE CODE

502520/30A/TS

## DIMENSIONAL DIAGRAMS



## APPROVALS

