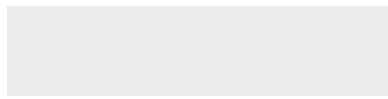
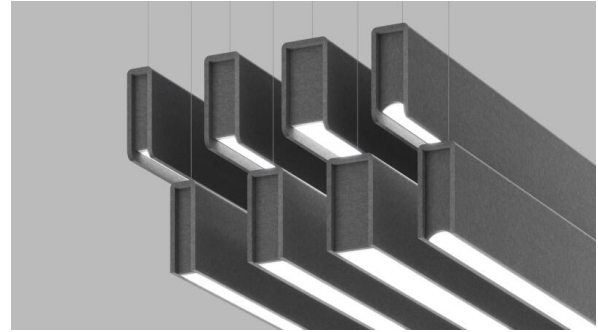


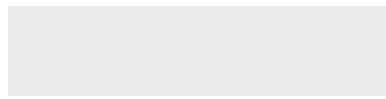


BOOK™

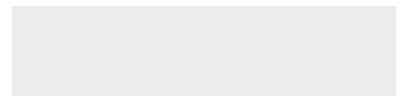
FULL SPECIFICATION SHEET



FIXTURE TYPE



FIXTURE CODE



QUANTITIES

1 DESCRIPTION

BOOK features a sophisticated linear profile that enhances noise control and visual appeal. This luminaire's sleek form is wrapped in sound-absorbing materials and softened with rounded edges, creating an inviting yet refined look. Offered in three versatile aperture sizes, **BOOK** integrates seamlessly into various interiors where managing sound and light is essential. Its design effectively reduces ambient noise while elevating the visual atmosphere, making it an ideal choice for libraries, collaborative workspaces, and dining areas. Thoughtfully crafted for spaces where comfort and function intersect, **BOOK** enhances any environment with style and acoustic performance.

2 OPTICS & FEATURES

Suspended Direct	Suspended Direct/Indirect	Suspended Indirect	Direct DD3	Direct DD3 Regressed	Direct DD4	Direct DD4 Regressed	Indirect UD1	Indirect UD2	Indirect UD3
Bios	Declare	PoE	Tunable White						

3 APPROVALS



4 GENERAL SPECIFICATION

BODY

Aluminum extrusion wrapped in sound-absorbing PET material.

SUSPENSION

Steel cables.

DRIVERS

HPF electronic drivers for 120-277V, 347 (EU-240V). The driver is integral to the fixture housing.

BIOS

For circadian lighting, consult factory.

ACOUSTIC PANELS NRC RATING

0.8

ACOUSTIC PANELS MATERIAL

100% recycled polyester fiber (PET).

RGBW

RGBW available; consult the factory.

LOUVERS

3 options available. Consult factory for details.

FIXTURE LENGTHS

Available in 1" increments. Contact the factory for details.

ESTIMATED L70 @25°C (77°F)

> 165,000 hrs @ 2000 lumens/ft (6000 lumens/m).

END CAPS

Consult the factory for options on mixed-color end caps.

POWER CABLE

Silver braided.

POE

Can be integrated into your data network via Power over Ethernet (PoE) connectivity.

TUNABLE WHITE

Tunable White range from 2700K to 6500K is available; contact the factory for details.

ACOUSTIC PANELS FIRE RATING

ASTM E84-2018 Class A.

ACOUSTIC PANELS THICKNESS

12mm (0.5")

DELIVERED LUMENS

Delivered lumens & LPW based on 4000K CRI 90+.

MECHANICAL

Luminaires mount directly over J box (by others).

REPORTED L70 @25°C (77°F)

> 60,000 hrs @ 2000 lumens/ft (6000 lumens/m).

LENS

Opal acrylic lens in 2 versions: roll-out or snap-in. The snap-in version is provided with standalone luminaires, while the roll-out lens is designed for continuous systems. When an order includes both standalone and continuous units, the roll-out lens will be provided for all.

INTEGRAL EMERGENCY SYSTEM

Emergency option provides a 1.5-hour (3 hours for EU) emergency lighting facility. The self-contained system includes the inverter module, NiCad batteries, LED charge indicator, and test switch (NA only). Not available with a 347V supply.

APPROVALS

Damp Rated.

DESIGN

US Pat. No. D994,186

ACOUSTIC PANEL MAINTENANCE

Durable and easy to maintain. Dust regularly and clean marks with mild detergent, rinse, and blot.

SENSORS

Compatible with Avi-On, Casambi, Enlighted, Lutron Vive, nLight, NX Lighting Controls, Osram, Philips, and others. Consult factory.

DESIGNED BY

Mirko Rotondi

SEISMIC BRACING

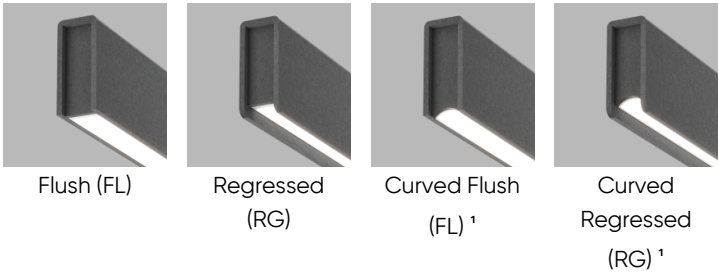
Seismic bracing kits are available to meet compliance requirements. Consult the factory for details.

SUSTAINABILITY

Designed for on-site LED board, driver, and optic replacement. Contact the factory for maintenance documentation.

5 DESIGN OPTIONS

STYLE



¹ Available in the 2.5" illuminated version only.

RUN TYPE



Straight

¹ Consult factory if L shape, U shape, or Quad is required with Wall mount.

* There is one power cable for a max overall length is 50ft, beyond that extra power cables are required. Consult factory.

ACOUSTIC PANEL COLOR



For accompanying non-illuminating acoustic panels, see our Acoustic Circles, Quads, Triangles, and Ellipse spec pages. Contact factory for additional colors.

CANOPY FINISH



6 HOW TO ORDER

1. LUMINAIRE TYPE

BKFP Pendant

2. ILLUMINATED OR NON-ILLUMINATED

LTD1 Illuminated LTD2 Non-Illuminated

3. STYLE

STT1 Flush (FL) STT2 Regressed (RG) STT3 Curved Flush (FL) ¹ STT4 Curved Regressed (RG) ¹

¹ Available in the 2.5" illuminated version only.

4. DIRECTION

DT0 Not required DT1 Direct DT2 Direct/Indirect DT3 Indirect

One power cord for every 50 linear ft.

5. APERTURE

PW01 1.5" PW02 2.5" PW03 3.5"

6. RUN TYPE

TR01 Straight

¹ Consult factory if L shape, U shape, or Quad is required with Wall mount.

* There is one power cable for a max overall length is 50ft, beyond that extra power cables are required. Consult factory.

7. LENGTH - A

The minimum length to order is 2ft and orders are to be in 2ft increments. Examples:

4ft = SFA0400, 10ft = SFA1000, 50ft = SFA5000

SFA_ _ _ _

8. MAX LENGTH PER SECTION

SL02 2ft ¹	SL04 4ft	SLO6 6ft	SL08 8ft
SL10 10ft	SL12 12ft		

¹ The dimming curves on the 2ft section length (SL02) will differ from the other sizes.

* You can select your preferred maximum length per section to account for specific parameters and constraints, such as transportation methods and building limitations. However, we may default to a more optimized combination. For example, if a 40ft run is required and your selected maximum length is 12ft, we would supply four 10ft segments to achieve a balanced placement of suspension cables. Download the Linear Length Configurations document to see our standard combinations. For special requirements, contact sales@betacalco.com.

9. LM/FT (DIRECT)

LPF000 Not required	LPF020 200 lm/ft	LPF040 400 lm/ft	LPF060 600 lm/ft
LPF080 800 lm/ft	LPF100 1000 lm/ft	LPF120 1200 lm/ft	LPF140 1400 lm/ft

10. LM/FT (INDIRECT)

LPG000 Not required	LPG020 200 lm/ft	LPG040 400 lm/ft	LPG060 600 lm/ft
LPG080 800 lm/ft	LPG100 1000 lm/ft	LPG120 1200 lm/ft	

11. CRI

CR00 Not required	CR80 CR 80+	CR90 CRI 90+
--------------------------	--------------------	---------------------

12. CCT DIRECT

CTA00 Not required	CTA27 2700K	CTA30 3000K	CTA35 3500K
CTA40 4000K	CTA60 Tunable White ¹		

¹ Consult factory. * RGBW available, consult factory.

13. CCT INDIRECT

CTB00 Not required	CTB27 2700K	CTB30 3000K	CTB35 3500K
CTB40 4000K	CTB60 Tunable White ¹		

¹ Consult factory. * RGBW available, consult factory.

14. DIRECT LENS

DD0 Not required	DD1 Asymmetric ^{1 3}	DD2 Batwing ⁴	DD3 Diffused ⁵
DD4 Comfort ⁶	DS3 Diffused – Seamless ^{2 5}		

² The seamless lens is supplied with a max length of 100ft. Longer fixtures will have at least one seam.

⁴ Only available with Curved Flushed style.

⁵ Only available with Flushed and Regressed styles.

⁶ Only available with Curved Flushed and Curved Regressed styles.

15. INDIRECT LENS

UD0 Not required	UD1 Batwing	UD2 Diffused ¹	UD3 Asymmetric ^{1 2}
-------------------------	--------------------	----------------------------------	--------------------------------------

¹ Available up to 1000 lm/ft. ² The asymmetric distribution will be directed away from the wall.

16. VOLTAGE

V0 Not required	V1 120/277V	V2 240V ¹	V3 347V ²
V4 Low Voltage ³			

¹ Not available in North America. ² Only available with 0–10V Dimming 1.0% (DA01). ³ Only available with PoE (DA45).

17. DIMMING

DA00 Not required	DA01 0–10V Dimming 1.0%	DA02 0–10V Dimming 0.1% ¹	DA20 DALI Dimming 0.1% ¹
DA21 DALI Dimming 1.0% ¹	DA30 DSI/switchDim ²	DA45 PoE ³	

¹ Not available with 347V (V3). ² Not available in North America. ³ Only available with Low Voltage (V4).

18. CEILING TYPE

G1 Grid ceiling ¹	H1 Hard ceiling ²
-------------------------------------	-------------------------------------

The cost for the canopies, power cables, connections mechanisms and endcaps for the fixture has been added to these items.

¹ Combo kit provided includes installation to T-bar and through tile mount. ² Designed for drywall ceilings.

19. SUSPENSION

HLA03 3ft cable suspension **HLA06** 6ft cable suspension **HLA09** 9ft cable suspension

* Note: Special order available on lengths over 13ft and may be subject to longer lead times, consult factory.

20. ACOUSTIC PANEL COLOR

AP02 Citrus	AP04 White	AP08 Red Coffee	AP11 Light Gray
AP13 Apple Green	AP22 Blue	AP26 Sesame Gray	AP27 Black
AP47 Navy Peony	AP60 Pure Red	AP73 Cloudburst	AP89 Douglas Fir
APW01 Oak			

For accompanying non-illuminating acoustic panels, see our Acoustic Circles, Quads, Triangles, and Ellipse spec pages. Contact factory for additional colors.

21. CANOPY FINISH

CF00 Not required	CF01 White - Textured	CF02 Black Metallic - Textured	CF20 Silver Metallic - Textured
CF25 Gold Metallic - Textured	CF44 Midnight Blue Metallic - Textured	CF45 Copper Metallic	CF46 Charcoal Metallic - Textured
CF47 Bronze Metallic - Textured	CF52 Champagne Metallic	CF53 Red Metallic - Textured	

22. EMERGENCY

E0 Not required **E1** Emergency system - Integral ¹ **E3** Emergency generated circuit - Remote ¹

¹ Specify quantity of emergency sections or emergency generator circuits required based off total length of run. ¹ Available upon request, consult factory for details. Not available with 347V.

Note: a drawing will be required at time of ordering to determine the required location of the emergency sections or generator circuits.

23. CIRCUITS

CS0 Not required **CS1** Single circuit **CS2** Dual circuit

24. SENSORS

Compatible with Avi-On, Casambi, Enlighted, Lutron Vive, nLight, NX Lighting Controls, Osram, Philips, and others. Consult factory.

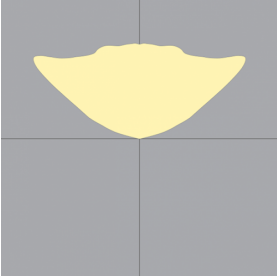
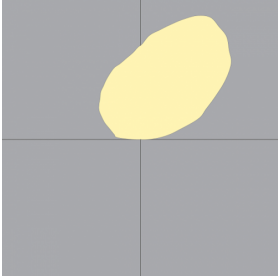
7 PERFORMANCE DATA

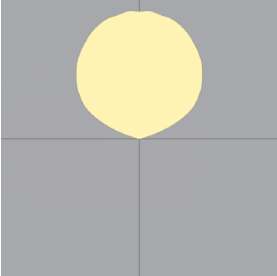
1.5 DIRECT DIFFUSED (DD3)	LUMEN/FT	WATT/FT	LPW	1.5 DIRECT DIFFUSED (DD3) REGRESSED	LUMEN/FT	WATT/FT	LPW
	800	9	93		800	10	79
	600	7	94		600	7	83
	400	5	98		400	5	88
	200	2	103		200	2	94

2.5 DIRECT DIFFUSED (DD3)	LUMEN/FT	WATT/FT	LPW	2.5 DIRECT DIFFUSED (DD3) REGRESSED	LUMEN/FT	WATT/FT	LPW
	1200	13	104		1000	11	90
	1000	11	107		800	9	93
	800	8	110		600	6	95
	600	6	114		400	4	99
	400	4	117		200	2	105
	200	2	122				

2.5 DIRECT COMFORT (DD4)	LUMEN/FT	WATT/FT	LPW	2.5 DIRECT COMFORT (DD4) REGRESSED	LUMEN/FT	WATT/FT	LPW
	1200	13	88		1000	13	79
	1000	11	90		800	9	81
	800	9	93		600	7	83
	600	7	95		400	5	88
	400	4	100		200	2	91
	200	2	104				

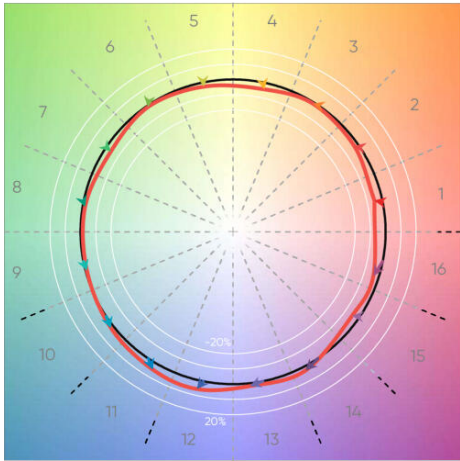
3.5 DIRECT DIFFUSED (DD3)	LUMEN/FT	WATT/FT	LPW	3.5 DIRECT DIFFUSED (DD3) REGRESSED	LUMEN/FT	WATT/FT	LPW
	1400	13	110		1200	13	95
	1200	11	114		1000	11	98
	1000	8	116		800	8	100
	800	7	119		600	7	103
	600	5	123		400	4	107
	400	3	127		200	2	114
	200	2	129				

INDIRECT BATWING (UD1)	LUMEN/FT	WATT/FT	LPW	INDIRECT ASYMMETRIC (UD3)	LUMEN/FT	WATT/FT	LPW
	1200	11	116		1000	11	82
	1000	9	119		800	9	84
	800	7	122		600	7	89
	600	5	130		400	4	91
	400	3	137		200	2	95
	200	1	144				

INDIRECT OPAL DIFFUSER (UD2)	LUMEN/FT	WATT/FT	LPW
	1000	11	98
	800	9	100
	600	6	106
	400	3	112
	200	2	113

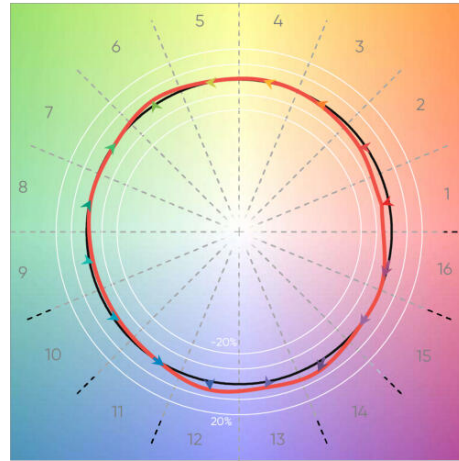
8 TM-30 DATA

CCT 2700K



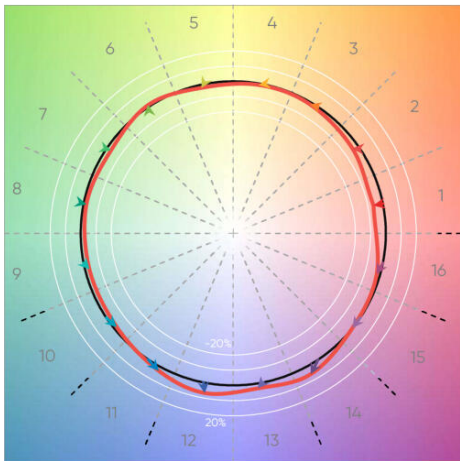
CRI(Ra)	93
CRI(R9)	61
TM30(Rf)	91
TM30(Rg)	98
Duv	-0.0022

CCT 3000K



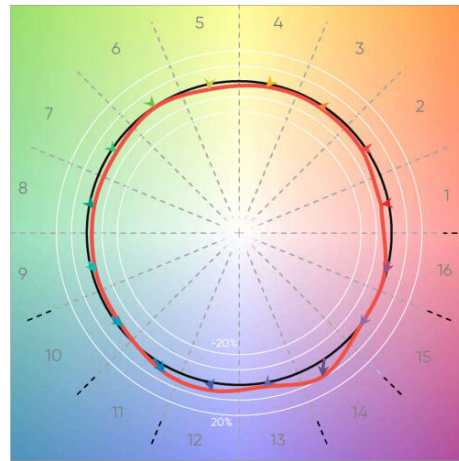
CRI(Ra)	92
CRI(R9)	58
TM30(Rf)	92
TM30(Rg)	100
Duv	-0.0003

CCT 3500K



CRI(Ra)	91
CRI(R9)	53
TM30(Rf)	90
TM30(Rg)	99
Duv	-0.0007

CCT 4000K

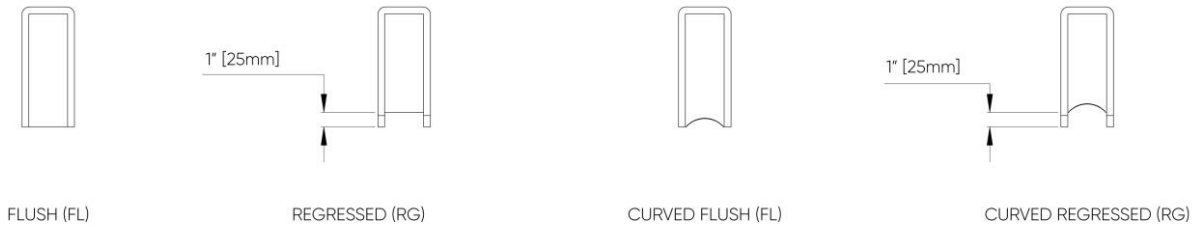


CRI(Ra)	93
CRI(R9)	64
TM30(Rf)	90
TM30(Rg)	98
Duv	0.0000

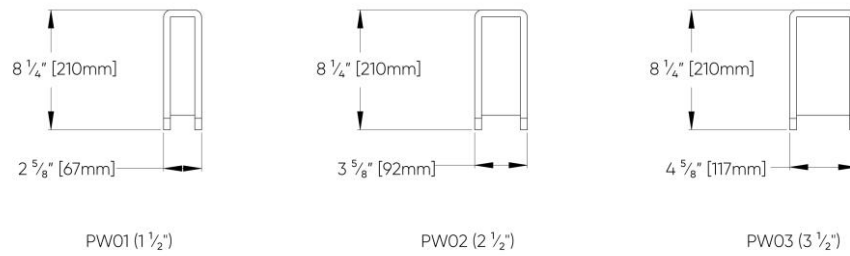
9 DIMENSIONAL DIAGRAMS

Book - Dimensional Diagrams

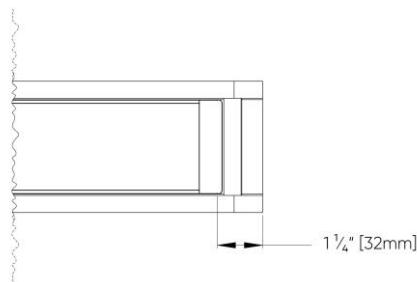
STYLE

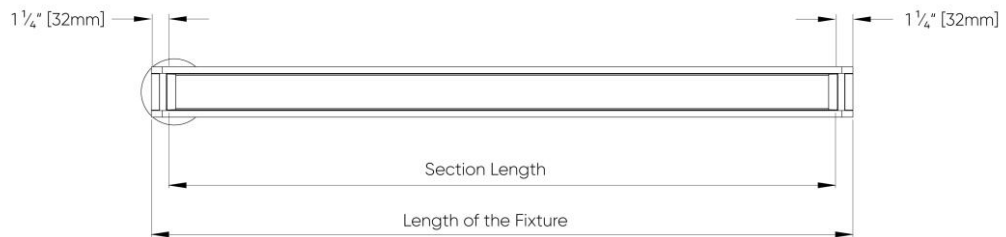
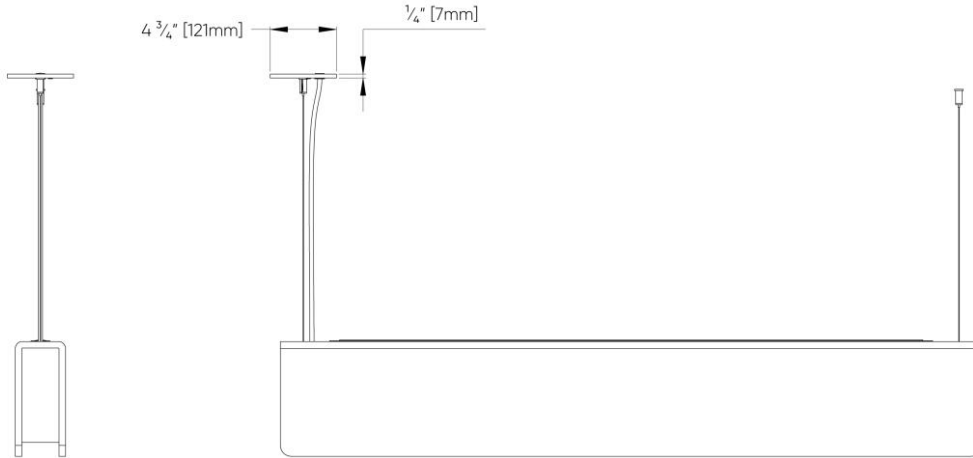
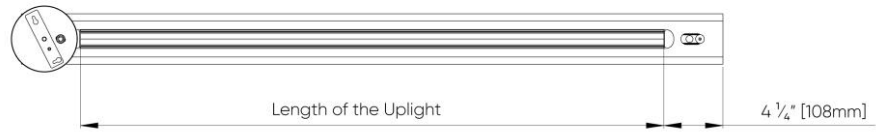


APERTURE



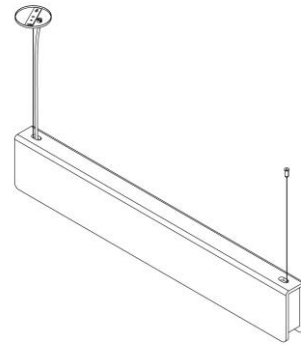
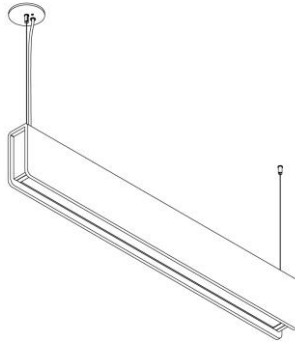
LENGTH OF RUN



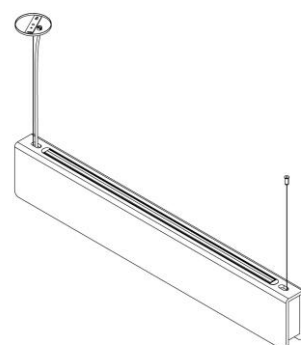
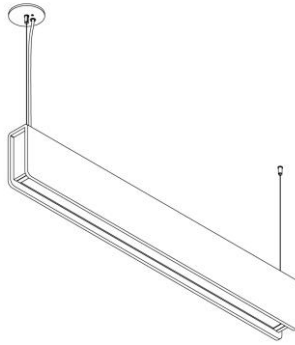


Section Length	Length of the Fixture	Length of the Uplight
2FT	26 1/2" [673mm]	18"
4FT	50 1/2" [1282mm]	42"
6FT	74 1/2" [1892mm]	66"
8FT	98 1/2" [2501mm]	90"
10FT	122 1/2" [3111mm]	114"
12FT	146 1/2" [3721mm]	138"

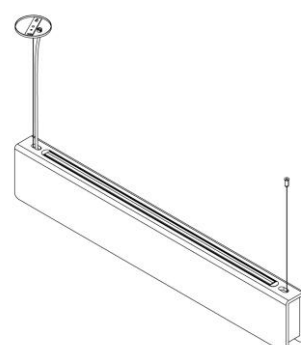
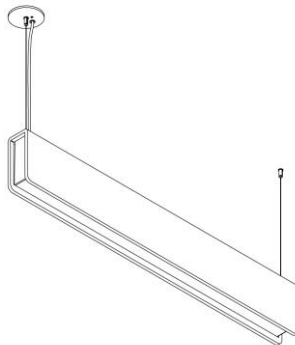
Direct



Direct/Indirect



Indirect



Non-Illuminated

