

Project Name:

Fixture Type:

Fixture Code:

Quantities:

A. LUMINAIRE TYPE

BKFP Pendant

B. ILLUMINATED OR NON-ILLUMINATED

LTD1 Illuminated

LTD2 Non-Illuminated

C. STYLE

STT1 Flush (FL)

STT2 Regressed (RG)

STT3 Curved Flush (FL) ¹

STT4 Curved Regressed (RG) ¹

¹ Available with illuminated and 2.5" aperture only.

D. DIRECTION

DT0 Not required

DT1 Direct

DT2 Direct/Indirect

DT3 Indirect

One power cord for every 50 linear ft.

E. APERTURE

PW01 1.5"

PW02 2.5"

PW03 3.5"

F. RUN TYPE

TRO1 Straight

¹ Consult factory if L shape, U shape, or Quad is required with Wall mount.

* There is one power cable for a max overall length is 50ft, beyond that extra power cables are required. Consult factory.

G. LENGTH - A

SFA _ _ _ _

The minimum length to order is 2ft and orders are to be in 2ft increments.

Examples:

4ft = SFA0400

10ft = SFA1000

50ft = SFA5000

H. MAX LENGTH PER SECTION

SL02 2ft ¹

SL04 4ft

SL06 6ft

SL08 8ft

SL10 10ft

SL12 12ft

¹ The dimming curves on the 2ft section length (SL02) will differ from the other sizes.

You can select the preferred maximum length per segment, to account for transportation and building constraints. Example: If a 40ft run is required and SL12 (12ft) is selected, we would provide 4 10ft segments. For special requirements, please contact sales@betacalco.com.

I. LM/FT (DIRECT)

LPF000 Not required

LPF020 200 lm/ft

LPF040 400 lm/ft

LPF060 600 lm/ft

LPF080 800 lm/ft

LPF100 1000 lm/ft

LPF120 1200 lm/ft

LPF140 1400 lm/ft



J. LM/FT (INDIRECT)

LPG000 Not required	LPG020 200 lm/ft	LPG040 400 lm/ft	LPG060 600 lm/ft
LPG080 800 lm/ft	LPG100 1000 lm/ft	LPG120 1200 lm/ft	

¹ Available with UD1 (clear diffuser) only.

K. CRI

CR00 Not required	CR80 CR 80+	CR90 CRI 90+
--------------------------	--------------------	---------------------

L. CCT DIRECT

CTA00 Not required	CTA27 2700K ¹	CTA30 3000K	CTA35 3500K
CTA40 4000K			

¹ Longer lead times may apply, consult factory.

* Tunable White and RGBW available, consult factory.

M. CCT INDIRECT

CTB00 Not required	CTB27 2700K ¹	CTB30 3000K	CTB35 3500K
CTB40 4000K			

¹ Longer lead times may apply, consult factory.

* Tunable White and RGBW available, consult factory.

N. DIRECT DIFFUSER

DD0 Not required	DD1 Asymmetric ^{1 3}	DD2 Batwing ^{2 4}	DD3 Diffused ⁵
DD4 Comfort ⁶	DD5 Widespread ³	DS1 Asymmetric - Seamless ^{1 2 3}	DS3 Diffused - Seamless ^{2 5}
DS5 Widespread - Seamless ^{2 3}			

¹ When standing at the end view of the profile on the side where the power cord is installed, the asymmetric beam will aim to the right.

² The seamless lens is supplied with a max length of 100ft.

³ Only available with Flushed style.

⁴ Only available with Curved Flushed style.

⁵ Only available with Flushed and Regressed styles.

⁶ Only available with Curved Flushed and Curved Regressed styles.

O. UPLIGHT DIFFUSER

UD0 Not required	UD1 Batwing	UD2 Diffused ¹	UD3 Asymmetric ²
-------------------------	--------------------	----------------------------------	------------------------------------

¹ Available up to 1200 lm/ft. The asymmetric distribution will be directed away from the wall.

P. VOLTAGE

V0 Not required	V1 120/277V	V2 240V ¹	V3 347V ²
V4 Low Voltage ³			

¹ Not available in North America.

² Only available with DA01 dimming.

³ Only available with DA45 dimming.

Q. DIMMING

DA00 Not required	DA01 0-10V Dimming 1.0%	DA02 0-10V Dimming 0.1% ¹	DA20 DALI Dimming 0.1% ¹
DA21 DALI Dimming 1.0% ¹	DA30 DSI/switchDim ²	DA45 PoE ³	

¹ Not available with V3.

² Not available in North America.

³ Only available with V4.

R. CEILING TYPE

G1 Grid ceiling ¹	H1 Hard ceiling ²
-------------------------------------	-------------------------------------

The cost for the canopies, power cables, connections mechanisms and endcaps for the fixture has been added to these items.

¹ Combo kit provided includes installation to T-bar and through tile mount.

² Designed for drywall ceilings.

S. SUSPENSION

HLA03 3ft cable suspension	HLA06 6ft cable suspension	HLA09 9ft cable suspension
-----------------------------------	-----------------------------------	-----------------------------------

* Note: Special order available on lengths over 13ft and may be subject to longer lead times, consult factory.

T. ACOUSTIC PANEL COLOR

AP04 White	AP13 Apple Green	AP22 Blue	AP11 Light Gray
AP26 Sesame Gray	AP27 Black		

Volume Discounts are available on all acoustic products, contact the factory for a quote.

Note: For accompanying non-illuminating acoustic panels see our Acoustic Circles, Quads and Triangles spec pages.

Other finishes available. Consult factory.

U. CANOPY FINISH

CF01 White - Textured	CF02 Black Metallic - Textured	CF20 Silver Metallic - Textured	CF25 Gold Metallic - Textured
CF44 Midnight Blue Metallic - Textured	CF45 Copper Metallic	CF46 Charcoal Metallic - Textured	CF47 Bronze Metallic - Textured
CF52 Champagne Metallic	CF53 Red Metallic - Textured		

V. QUANTITY OF EMERGENCY SECTIONS

E0 Not required	E1 Emergency system - Integral ¹	E3 Emergency generated circuit - Remote ¹
------------------------	--	---

¹ Specify quantity of emergency sections or emergency generator circuits required based off total length of run. ¹ Available upon request, consult factory for details. Not available with 347V.

Note: a drawing will be required at time of ordering to determine the required location of the emergency sections or generator circuits.

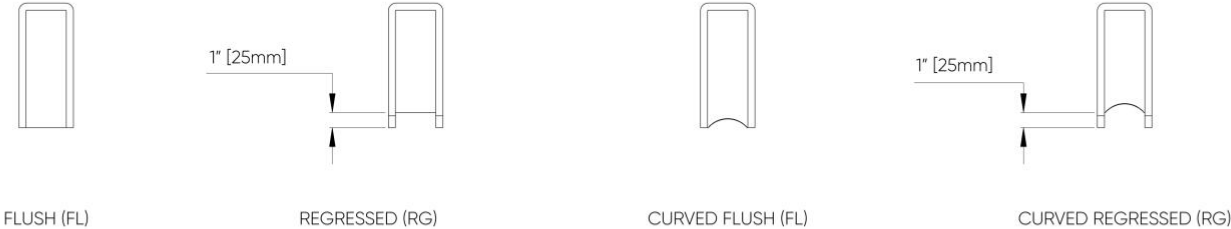
W. CIRCUITS

CS0 Not required	CS1 Single circuit	CS2 Dual circuit
-------------------------	---------------------------	-------------------------

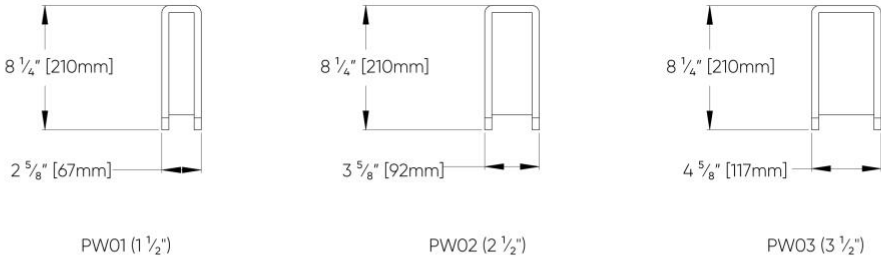
X. SENSORS

Book - Dimensional Diagrams

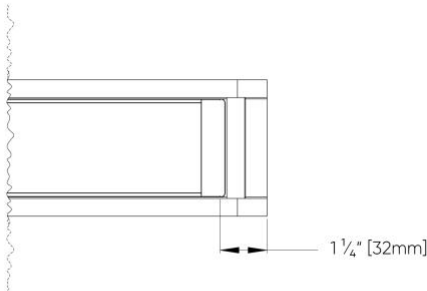
STYLE

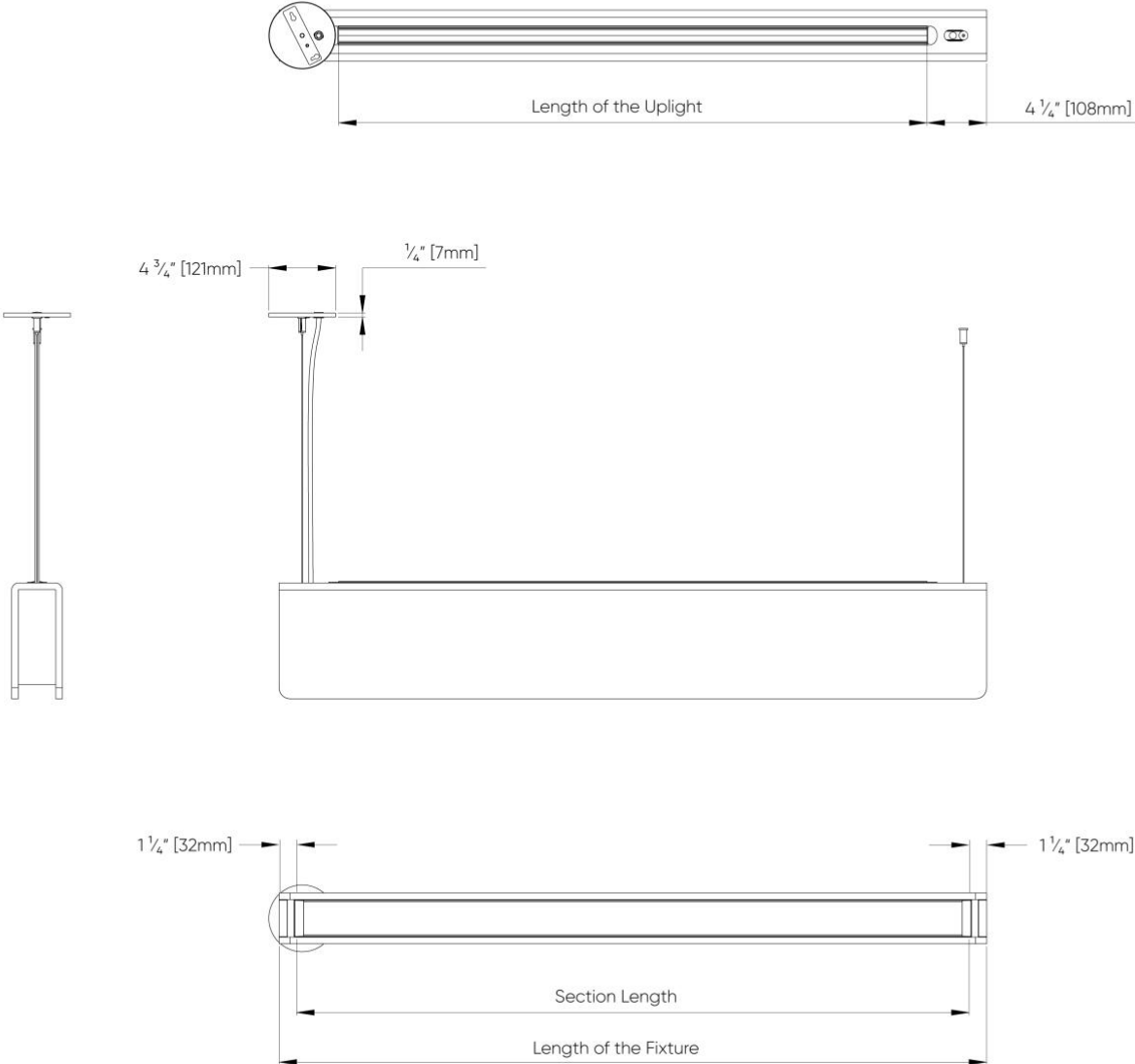


APERTURE



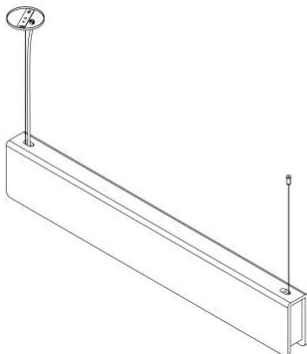
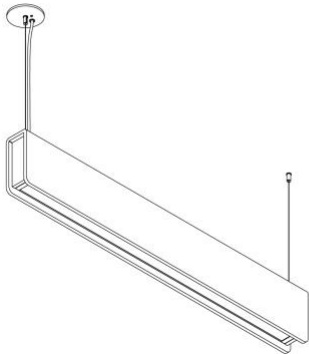
LENGTH OF RUN



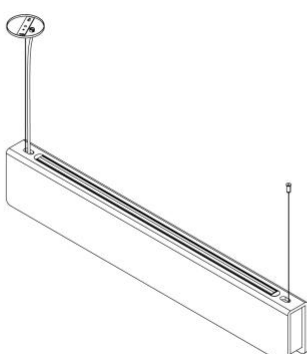
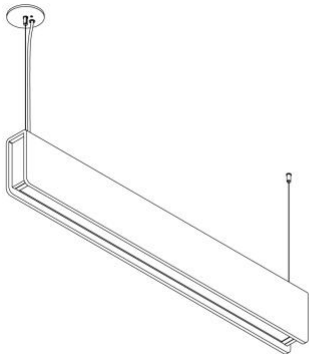


Section Length	Length of the Fixture	Length of the Uplight
2FT	26 1/2" [673mm]	18"
4FT	50 1/2" [1282mm]	42"
6FT	74 1/2" [1892mm]	66"
8FT	98 1/2" [2501mm]	90"
10FT	122 1/2" [3111mm]	114"
12FT	146 1/2" [3721mm]	138"

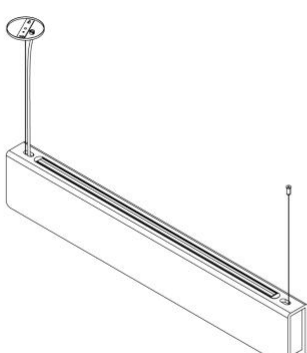
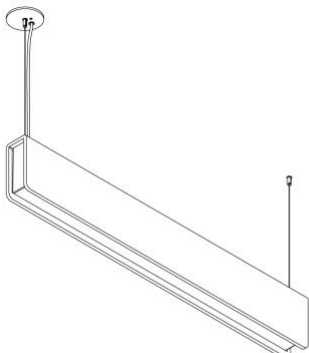
Direct



Direct/Indirect



Indirect



Non-Illuminated

