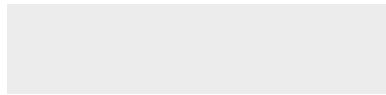
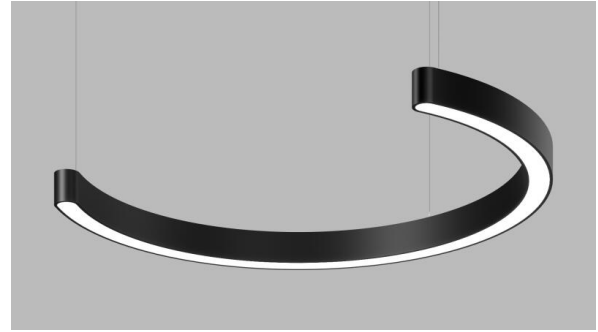


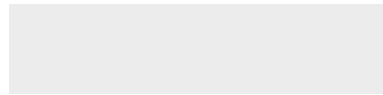


# LUMI-ARC™

## FULL SPECIFICATION SHEET



FIXTURE TYPE



FIXTURE CODE

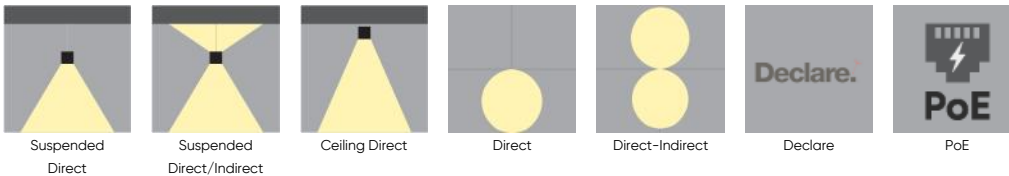


QUANTITIES

### 1 DESCRIPTION

The luminous arc takes shape through graceful curvature, creating a sweeping band of light that defines space with sculptural elegance. Designed to merge architectural presence with refined illumination, **LUMI-ARC** transforms environments whether it serves as a dramatic focal point or complements existing design elements. The curved diffused lens provides uniform brightness along its elegant span, ensuring consistent illumination that follows the fixture's form. Available in multiple diameters, arc degrees, and customizable configurations, **LUMI-ARC** adapts to diverse spatial requirements, offering scalable solutions for upscale restaurants, hotel lobbies, corporate offices, boutique spaces, and more. Its presence moves beyond functional lighting to become an architectural feature that shapes the atmosphere and the experience.

### 2 OPTICS & FEATURES



### 3 APPROVALS



4 GENERAL SPECIFICATION

**BODY**

Aluminum.

**SUSPENSION**

Steel cables. Recommended minimum mounting heights: 1ft (305mm).

**REMOTE EMERGENCY**

Emergency option provides a 1.5 hour (3 hours for EU) emergency lighting facility. The remote system includes the inverter module, NiCad batteries and a remote wall/ceiling LED charge indicator and test switch (NA only) Maximum distance between wall/ceiling plate and luminaire is 15' (4.5m). Test switch fits a single gang box (not supplied).

**POE**

Lumi-Arc can integrate into your data network via Power over Ethernet (PoE) connectivity.

**L70 @25°C**

> 60,000 hrs.

**APPROVALS**

Damp Rated.

**SEISMIC BRACING**

Seismic bracing kits are available to meet compliance requirements. Consult the factory for details.

**FINISH**

Powder coated.

**LENS**

Protruding Lens 0.08" (2.1mm)

**DRIVERS**

Remote, HPF electronic drivers for 120-277V (EU-240V) dimming. Wire size 18 AWG - max distance (from fixture to drivers) 40' (12.2m), wire size 16 AWG - max distance 60' (18.3m), wire size 14 AWG - max distance 90' (27.4m). Drivers must be accessible after installation. Drivers are either remote mounted or integral to the canopy. For longer remote distances, consult factory.

**MECHANICAL**

Luminaires mount directly over J box (by others - North America only).

**DELIVERED LUMENS**

Delivered lumens & LPW based on 4000K (min 90 CRI).

**DESIGN**

US Design Patent Pending.

**SUSTAINABILITY**

Designed for on-site LED board, driver, and optic replacement. Contact the factory for maintenance documentation.

**5 DESIGN OPTIONS**

**FIXTURE FINISH**



**CANOPY FINISH**



**6 HOW TO ORDER**

**1. LUMINAIRE TYPE**

LMRP Pendant                      LMRC Ceiling

**2. DIAMETER**

SL02 2ft                      SL03 3ft                      SL04 4ft                      SL05 5ft  
SL06 6ft                      SL07 7ft

Max Lumens with Direct-Indirect and AD300.

### 3. ARC DEGREE

**AD120** 120° <sup>1</sup>                      **AD240** 240°                      **AD300** 300° <sup>2</sup>

<sup>1</sup> If ceiling luminaire type is required with a 2' (SL02) diameter, the drivers will be in a remote box. Consult factory.

<sup>2</sup> The angle is 300° for 2' and 3' diameters, 320° for 4' and 5' diameters, and 330° for 6' and 7' diameters.

### 4. DIRECTION

**DT1** Direct                      **DT2** Direct/Indirect

### 5. LUMENS (DIRECT)

**LUA025** 25% of standard output   **LUA050** 50% of standard output   **LUA075** 75% of standard output   **LUA100** 100% of standard output

### 6. LUMENS (INDIRECT)

**LUB000** Not required                      **LUB025** 25% of standard output   **LUB050** 50% of standard output   **LUB075** 75% of standard output  
**LUB100** 100% of standard output

### 7. CRI

**CR90** CRI 90+

### 8. CCT

**CTA27** 2700K                      **CTA30** 3000K                      **CTA35** 3500K                      **CTA40** 4000K

### 9. VOLTAGE

**V1** 120/277V                      **V2** 240V <sup>1</sup>                      **V3** 347V <sup>2</sup>                      **V4** Low Voltage <sup>3</sup>

<sup>1</sup> Not available in North America. <sup>2</sup> Available with DA01 dimming only. <sup>3</sup> V4 available with DA45 dimming only.

### 10. DIMMING

**DA01** 0-10V Dimming 1.0%                      **DA20** DALI Dimming 0.1% <sup>2</sup>                      **DA21** DALI Dimming 1.0% <sup>3</sup>                      **DA45** PoE <sup>1</sup>

<sup>1</sup> Available with V4 only. <sup>2</sup> The drivers will be in a remote box. <sup>3</sup> Consult factory.

### 11. SUSPENSION

**SS0** Not required <sup>1</sup>                      **SS1** Vertical, Integral driver <sup>1</sup>                      **SS3** Vertical, Remote driver

<sup>1</sup> SS0 is for ceiling luminaire type. For Dali dimming, the drivers will be in a remote box. <sup>2</sup> Only available with DA01. Not available with V3.

## 12. FIXTURE FINISH

<b>FA01</b> White	<b>FA02</b> Black Metallic - Textured	<b>FA20</b> Silver Metallic - Textured	<b>FA25</b> Gold Metallic - Textured
<b>FA44</b> Midnight Blue Metallic - Textured	<b>FA45</b> Copper Metallic	<b>FA46</b> Charcoal Metallic - Textured	<b>FA47</b> Bronze Metallic - Textured
<b>FA52</b> Champagne Metallic	<b>FA53</b> Red Metallic - Textured		

## 13. CANOPY FINISH

<b>CF01</b> White	<b>CF02</b> Black Metallic - Textured	<b>CF20</b> Silver Metallic - Textured	<b>CF25</b> Gold Metallic - Textured
<b>CF44</b> Midnight Blue Metallic - Textured	<b>CF45</b> Copper Metallic	<b>CF46</b> Charcoal Metallic - Textured	<b>CF47</b> Bronze Metallic - Textured
<b>CF52</b> Champagne Metallic	<b>CF53</b> Red Metallic - Textured		

## 14. EMERGENCY

<b>E0</b> Not required	<b>E2</b> Emergency system - Remote <sup>1</sup>
------------------------	--

<sup>1</sup> One extra power cord will be supplied with remote emergency. Not available with V3.

## 15. CIRCUITS

<b>CS1</b> Single circuit	<b>CS2</b> Dual circuit
---------------------------	-------------------------

## 7 PERFORMANCE DATA

<b>SL02-AD120-DT1</b>	<b>Lumens</b>	<b>Watts</b>	<b>LPW</b>	<b>SL02-AD120-DT2</b>	<b>Lumens</b>	<b>Watts</b>	<b>LPW</b>
LUA025	570	5	105	LUB025	570	4	150
LUA050	1100	11	97	LUB050	1110	8	142
LUA075	1510	17	91	LUB075	1600	12	133
LUA100	2000	24	85	LUB100	2080	16	126

<b>SL02-AD240-DT1</b>	<b>Lumens</b>	<b>Watts</b>	<b>LPW</b>	<b>SL02-AD240-DT2</b>	<b>Lumens</b>	<b>Watts</b>	<b>LPW</b>
LUA025	1140	11	105	LUB025	1140	8	150
LUA050	2190	23	97	LUB050	2220	16	142
LUA075	3030	33	91	LUB075	3200	24	133
LUA100	4000	47	85	LUB100	4150	32	126

<b>SL02-AD300-DT1</b>	<b>Lumens</b>	<b>Watts</b>	<b>LPW</b>	<b>SL02-AD300-DT2</b>	<b>Lumens</b>	<b>Watts</b>	<b>LPW</b>
LUA025	1420	14	105	LUB025	1420	9	150
LUA050	2740	28	97	LUB050	2780	20	142
LUA075	3790	42	91	LUB075	4000	30	133
LUA100	5000	59	85	LUB100	5200	41	126

SL03-AD120-DT1				SL03-AD120-DT2			
	Lumens	Watts	LPW		Lumens	Watts	LPW
LUA025	830	8	107	LUB025	830	5	152
LUA050	1610	16	99	LUB050	1630	11	144
LUA075	2220	24	92	LUB075	2340	17	135
LUA100	2930	34	86	LUB100	3040	24	128

SL03-AD240-DT1				SL03-AD240-DT2			
	Lumens	Watts	LPW		Lumens	Watts	LPW
LUA025	1670	16	107	LUB025	1670	11	152
LUA050	3210	33	99	LUB050	3250	23	144
LUA075	4440	48	92	LUB075	4690	35	135
LUA100	5870	68	86	LUB100	6090	48	128

SL03-AD300-DT1				SL03-AD300-DT2			
	Lumens	Watts	LPW		Lumens	Watts	LPW
LUA025	2090	20	107	LUB025	2090	14	152
LUA050	4020	41	99	LUB050	4070	28	144
LUA075	5550	60	92	LUB075	5860	43	135
LUA100	7330	85	86	LUB100	7610	60	128

SL04-AD120-DT1				SL04-AD120-DT2			
	Lumens	Watts	LPW		Lumens	Watts	LPW
LUA025	1090	10	106	LUB025	1090	7	151
LUA050	2100	21	98	LUB050	2120	15	142
LUA075	2900	32	91	LUB075	3060	23	134
LUA100	3830	45	85	LUB100	3970	31	127

SL04-AD240-DT1				SL04-AD240-DT2			
	Lumens	Watts	LPW		Lumens	Watts	LPW
LUA025	2180	21	106	LUB025	2180	14	151
LUA050	4190	43	98	LUB050	4250	30	142
LUA075	5790	63	91	LUB075	6120	46	134
LUA100	7650	90	85	LUB100	7940	63	127

SL04-AD300-DT1				SL04-AD300-DT2			
	Lumens	Watts	LPW		Lumens	Watts	LPW
LUA025	2900	27	106	LUB025	2900	19	151
LUA050	5580	57	98	LUB050	5650	40	142
LUA075	7700	84	91	LUB075	8140	61	134
LUA100	10180	119	85	LUB100	10560	83	127

SL05-AD120-DT1				SL05-AD120-DT2			
	Lumens	Watts	LPW		Lumens	Watts	LPW
LUA025	1360	13	105	LUB025	1360	9	151
LUA050	2610	27	98	LUB050	2650	19	142
LUA075	3610	40	91	LUB075	3810	29	133
LUA100	4770	56	85	LUB100	4950	39	126

SL05-AD240-DT1				SL05-AD240-DT2			
	Lumens	Watts	LPW		Lumens	Watts	LPW
LUA025	2720	26	105	LUB025	2720	18	151
LUA050	5230	54	98	LUB050	5300	37	142
LUA075	7220	79	91	LUB075	7630	57	133
LUA100	9550	112	85	LUB100	9900	78	126

SL05-AD300-DT1				SL05-AD300-DT2			
	Lumens	Watts	LPW		Lumens	Watts	LPW
LUA025	3610	34	105	LUB025	3610	24	151
LUA050	6950	71	98	LUB050	7040	50	142
LUA075	9610	105	91	LUB075	10140	76	133
LUA100	12700	149	85	LUB100	13170	104	126

SL06-AD120-DT1				SL06-AD120-DT2			
	Lumens	Watts	LPW		Lumens	Watts	LPW
LUA025	1620	15	106	LUB025	1620	11	152
LUA050	3120	32	98	LUB050	3150	22	143
LUA075	4300	47	92	LUB075	4540	34	134
LUA100	5690	66	86	LUB100	5900	46	127

SL06-AD240-DT1				SL06-AD240-DT2			
	Lumens	Watts	LPW		Lumens	Watts	LPW
LUA025	3240	30	106	LUB025	3240	21	148
LUA050	6230	63	98	LUB050	6310	44	137
LUA075	8610	94	92	LUB075	9090	68	128
LUA100	11370	132	86	LUB100	11800	94	119

SL06-AD300-DT1				SL06-AD300-DT2			
	Lumens	Watts	LPW		Lumens	Watts	LPW
LUA025	4450	42	106	LUB025	4450	29	152
LUA050	8570	87	98	LUB050	8680	60	143
LUA075	11830	129	92	LUB075	12490	93	134
LUA100	15640	182	86	LUB100	16220	127	127

SL07-AD120-DT1				SL07-AD120-DT2			
	Lumens	Watts	LPW		Lumens	Watts	LPW
LUA025	1890	18	105	LUB025	1890	13	150
LUA050	3630	37	97	LUB050	3680	26	142
LUA075	5020	55	91	LUB075	5300	40	133
LUA100	6630	78	85	LUB100	6880	54	126

SL07-AD240-DT1				SL07-AD240-DT2			
	Lumens	Watts	LPW		Lumens	Watts	LPW
LUA025	3770	36	105	LUB025	3770	25	150
LUA050	7260	75	97	LUB050	7350	52	142
LUA075	10030	110	91	LUB075	10590	80	133
LUA100	13260	156	85	LUB100	13750	109	126

**SL07-AD300-DT1**

**Lumens**

**Watts**

**LPW**

**SL07-AD300-DT2**

**Lumens**

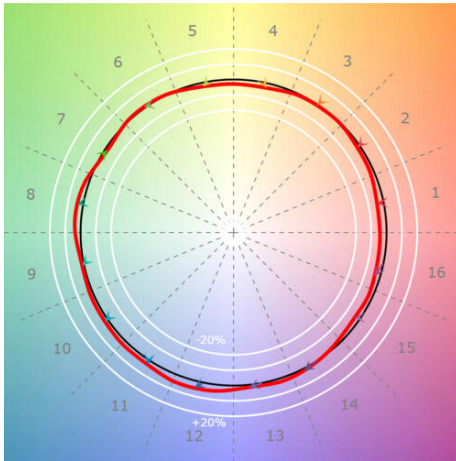
**Watts**

**LPW**

LUA025	5190	49	105	LUB025	5190	34	151
LUA050	9990	102	97	LUB050	10110	71	142
LUA075	13790	152	91	LUB075	14570	109	133
LUA100	18230	214	85	LUB100	18910	150	126

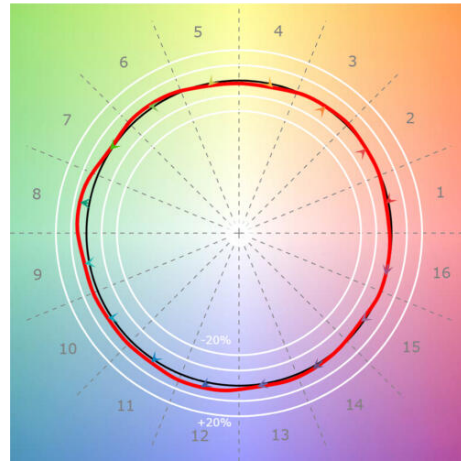
**8** TM-30 DATA

**CCT 2700K**



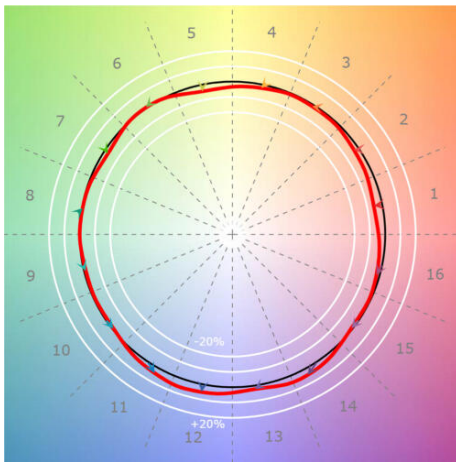
<b>CRI(Ra)</b>	94
<b>CRI(R9)</b>	58
<b>TM30(Rf)</b>	93
<b>TM30(Rg)</b>	99
<b>Duv</b>	0.0004

**CCT 3000K**



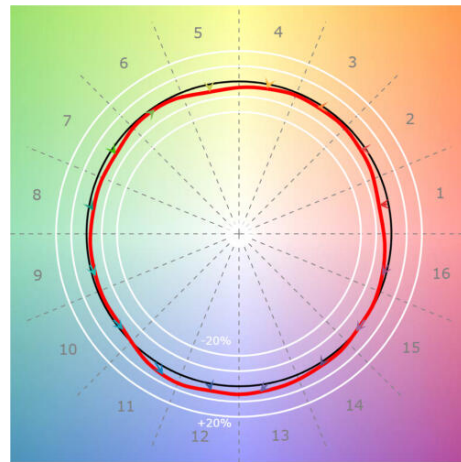
<b>CRI(Ra)</b>	94
<b>CRI(R9)</b>	75
<b>TM30(Rf)</b>	93
<b>TM30(Rg)</b>	102
<b>Duv</b>	-0.0001

**CCT 3500K**



<b>CRI(Ra)</b>	94
<b>CRI(R9)</b>	53
<b>TM30(Rf)</b>	91
<b>TM30(Rg)</b>	98
<b>Duv</b>	0.0009

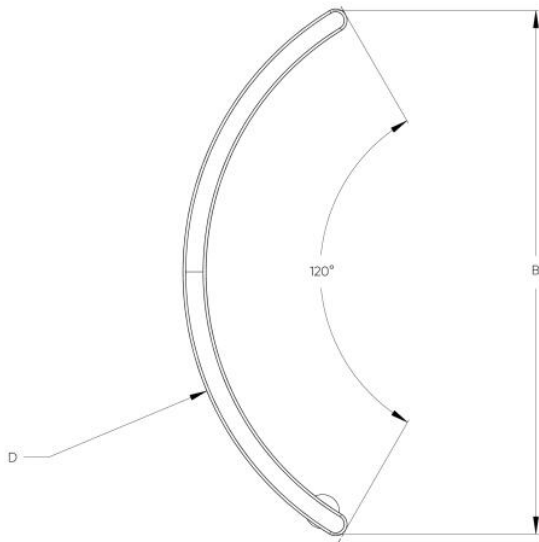
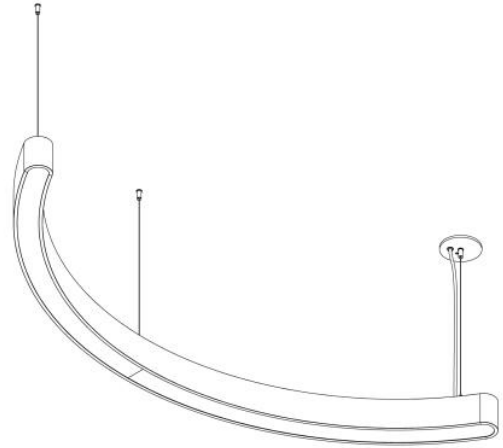
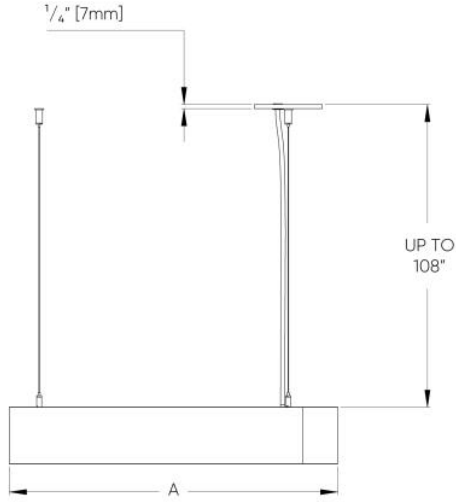
**CCT 4000K**



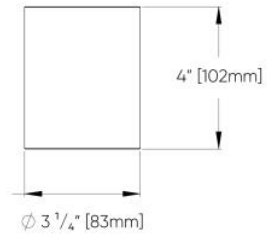
<b>CRI(Ra)</b>	92
<b>CRI(R9)</b>	50
<b>TM30(Rf)</b>	89
<b>TM30(Rg)</b>	97
<b>Duv</b>	0.0011

9 DIMENSIONAL DIAGRAMS

120-Deg Direct/Indirect



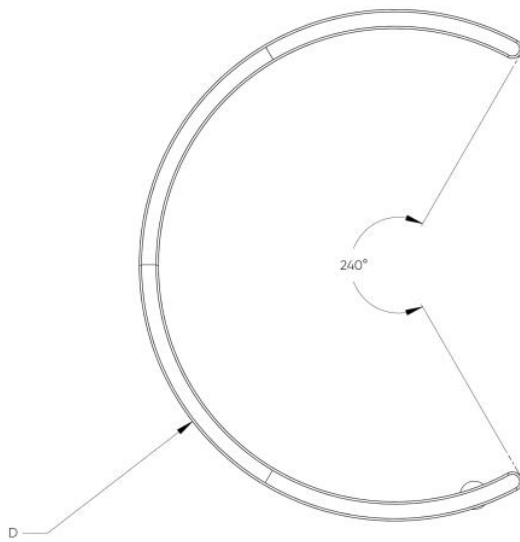
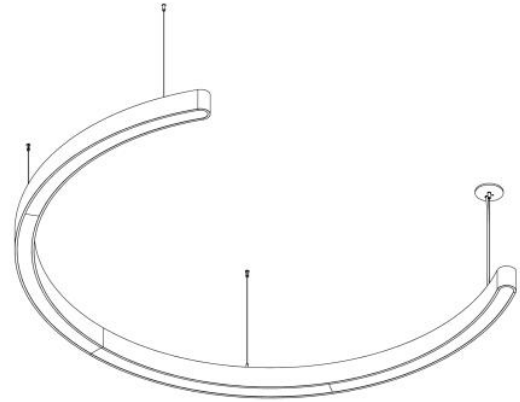
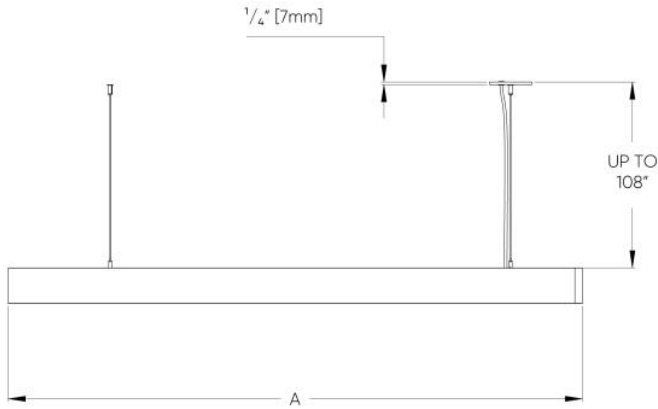
PROFILE DIMENSIONS



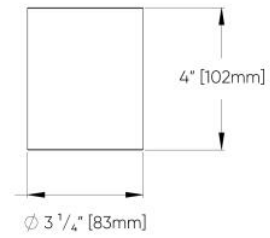
LUMINAIRE DIMENSIONS

Nominal Size	D (Actual Diameter)	A (Depth)	B (Width)	No. of Suspensions
2FT	27" [686mm]	8 1/8" [207mm]	22 3/8" [569mm]	3
3FT	38 1/4" [972mm]	10 1/2" [266mm]	31 3/8" [802mm]	3
4FT	50 1/4" [1277mm]	14" [355mm]	42 3/8" [1083mm]	3
5FT	62 1/4" [1581mm]	16 7/8" [430mm]	53" [1347mm]	3
6FT	74 1/4" [1886mm]	20 1/4" [513mm]	63 1/4" [1620mm]	3
7FT	86 1/4" [2191mm]	23 1/8" [588mm]	73 1/2" [1867mm]	3

## 240-Deg Direct/Indirect

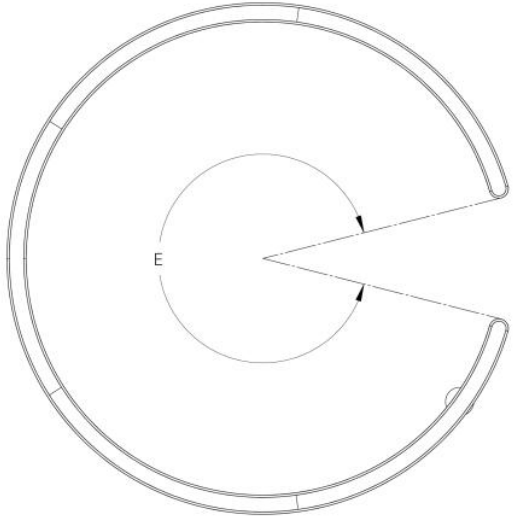
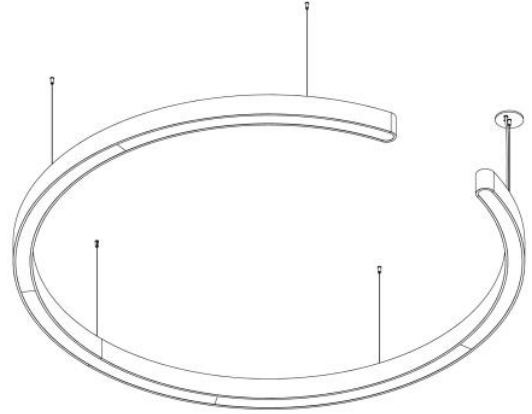
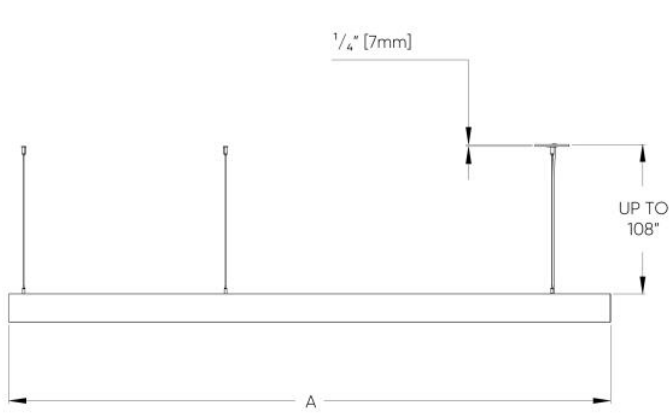


### PROFILE DIMENSIONS

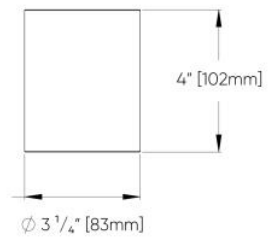


LUMINAIRE DIMENSIONS			
Nominal Size	D (Actual Diameter)	A (Depth)	No. of Suspensions
2FT	27" [686mm]	19 7/8" [505mm]	3
3FT	38 1/4" [972mm]	27 7/8" [708mm]	3
4FT	50 1/4" [1277mm]	37 3/8" [951mm]	3
5FT	62 1/4" [1581mm]	46 7/8" [1178mm]	3
6FT	74 1/4" [1886mm]	55 1/4" [1415mm]	3
7FT	86 1/4" [2191mm]	64 1/2" [1640mm]	4

### 300-Deg Direct/Indirect



**PROFILE DIMENSIONS**



**LUMINAIRE DIMENSIONS**

Nominal Size	D (Actual Diameter)	A (Depth)	E (Sector Angle)	No. of Suspensions
2FT	27" [686mm]	24 3/4" [626mm]	300°	3
3FT	38 1/4" [972mm]	34 1/4" [887mm]	300°	3
4FT	50 1/4" [1277mm]	48 3/8" [1229mm]	320°	3
5FT	62 1/4" [1581mm]	59 1/4" [1522mm]	320°	3
6FT	74 1/4" [1886mm]	72 3/4" [1849mm]	330°	5
7FT	86 1/4" [2191mm]	84 1/2" [2146mm]	330°	5