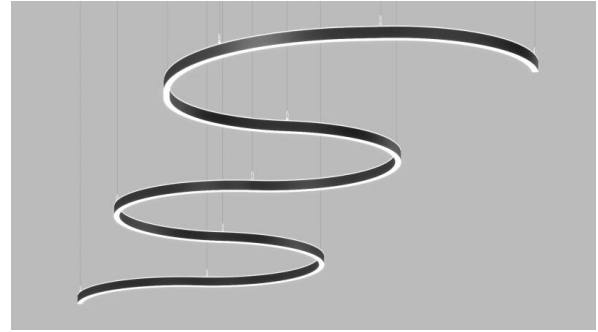




MICRO SQUIGGLE™

FULL SPECIFICATION SHEET



FIXTURE TYPE



FIXTURE CODE



QUANTITIES

1 DESCRIPTION

MICRO SQUIGGLE adapts to your space with fluid versatility. This highly customizable curvilinear lighting system features a sleek 1" aperture and integrates seamlessly with architectural design. With a variety of curves, straight sections, and joiners, it allows you to create unique configurations that wrap around structural elements, enhancing the space's architectural expression while meeting your specific design needs. **MICRO SQUIGGLE's** multi-tiered form enhances depth and integrates effortlessly into any space. Designed for visual impact, **MICRO SQUIGGLE's** sinuous lines bring sculptural lighting into focus. Its soft, continuous glow enriches the atmosphere with warmth and sophistication. As a versatile fixture, it is available in direct-only or direct-indirect options. With its organic form and seamless glow, **MICRO SQUIGGLE** transforms the ceiling into a dynamic design element. Its curving silhouette enhances both aesthetics and functionality.

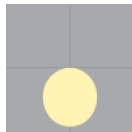
2 OPTICS & FEATURES



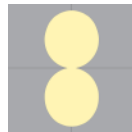
Suspended
Direct



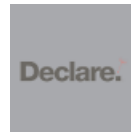
Suspended
Direct/Indirect



Direct



Direct-indirect



Declare



PoE

3 APPROVALS



4 GENERAL SPECIFICATION

BODY AND TRIM

Steel and aluminum.

FINISH

Powder coated for standard finishes.

LENS

Protruding Lens 0.08" (2.1mm)

DRIVERS

Remote, HPF electronic drivers for 120-277V, 347V (EU-240V) dimming. Wire size 18 AWG – max distance (from fixture to drivers) 40' (12.2m), wire size 16 AWG – max distance 60' (18.3m), wire size 14 AWG – max distance 90' (27.4m). Drivers must be accessible after installation. Drivers are either remote mounted or integral to the canopy depending on the size of the fixture. For longer remote distances, consult factory.

MECHANICAL

Luminaires mount directly over J box (by others – North America only).

REMOTE EMERGENCY

Emergency option provides a 1.5 hour (3 hours for EU) emergency lighting facility. The remote system includes the inverter module, NiCad batteries and a remote wall/ceiling LED charge indicator and test switch (NA only) Maximum distance between wall/ceiling plate and luminaire is 15' (4.5m). Test switch fits a single gang box (not supplied).

L70 @25°C

> 60,000 hrs.

SEISMIC BRACING

Seismic bracing kits are available to meet compliance requirements. Consult the factory for details.

POWER CABLE

Silver braided.

SUSPENSION

Steel cables.

CORNER RADIUS

Minimum corner radius is 6 inches

ELECTRICAL

Luminaires are pre-wired with a factory installed branch circuit wiring with quick connectors. Through wiring is used to connect individual luminaires.

POE

Squiggle can integrate into your data network via Power over Ethernet (PoE) connectivity.

DELIVERED LUMENS

Delivered lumens & LPW based on 4000K (min 80 CRI).

APPROVALS

Damp Rated.

SUSTAINABILITY

Designed for on-site LED board, driver, and optic replacement. Contact the factory for maintenance documentation.

5 DESIGN OPTIONS

FIXTURE FINISH



CANOPY FINISH



11. DIMMING

DA01 0-10V Dimming 1.0% **DA02** 0-10V Dimming 0.1% ¹ **DA20** DALI Dimming 0.1% ¹ **DA21** DALI Dimming 1.0% ¹
DA45 PoE ³

¹ Not available with V3. ² Not available in North America. ³ Available with V4 only.

12. SUSPENSION

SS1 Vertical, Remote driver **SS3** Vertical, Integral driver

13. FIXTURE FINISH

FA01 White **FA02** Black Metallic – Textured **FA20** Silver Metallic – Textured **FA25** Gold Metallic – Textured
FA44 Midnight Blue Metallic – Textured **FA45** Copper Metallic **FA46** Charcoal Metallic – Textured **FA47** Bronze Metallic – Textured
FA52 Champagne Metallic

14. CANOPY FINISH

CF01 White **CF02** Black Metallic – Textured **CF20** Silver Metallic – Textured **CF25** Gold Metallic – Textured
CF44 Midnight Blue Metallic – Textured **CF45** Copper Metallic **CF46** Charcoal Metallic – Textured **CF47** Bronze Metallic – Textured
CF52 Champagne Metallic

15. EMERGENCY SECTIONS

E0 Not required **E2** Emergency system – Remote ¹

¹ Consult factory.

Note: a drawing will be required at time of ordering to determine the required location of the emergency sections.

16. CIRCUITS

CS1 Single circuit **CS2** Dual circuit

7 TECHNICAL DATA

SECTION TYPES

Select from one of the sections. Each section is to be ordered as a separate line item.

Code	SCA16	SCA30	SCA42	SCA48	SCA54	SCA72
Section Type	Curved	Curved	Curved	Curved	Curved	Curved
Arc°	90°	90°	120°	120°	120°	90°
Radius	16"	30"	42"	48"	54"	72"
Length						
Code	SCB28	SCB36	SCB47	SCB72	SCB95	SCC01
Section Type	Straight	Straight	Straight	Straight	Straight	Cross
Arc°						
Radius						
Length	28"	36"	47"	72"	95"	23.5"
Code	SCD01	SCE01	CST01			
Section Type	Corner	T				
Arc°						
Radius						
Length	12"	35"				

8 PERFORMANCE DATA

Curved SCA 16	Lumens	Watts	LPW	Curved SCA 30	Lumens	Watts	LPW
LPF 017	350	5	70	LPF 017	675	10	70
LPF 026	550	8	68	LPF 026	1000	15	68
LPF 035	700	11	67	LPF 035	1350	20	67

Curved SCA 42	Lumens	Watts	LPW	Curved SCA 48	Lumens	Watts	LPW
LPF 017	1250	18	70	LPF 017	1400	20	70
LPF 026	1850	27	68	LPF 026	2125	31	68
LPF 035	2500	37	67	LPF 035	2850	42	67

Curved SCA 54	Lumens	Watts	LPW	Curved SCA 72	Lumens	Watts	LPW
LPF 017	1600	23	70	LPF 017	1600	23	70
LPF 026	2400	35	68	LPF 026	2400	35	68
LPF 035	3200	48	67	LPF 035	3200	48	67

Straight SCB 28				Straight SCB 36			
	Lumens	Watts	LPW		Lumens	Watts	LPW
LPF 017	400	6	70	LPF 017	500	7	70
LPF 026	600	9	68	LPF 026	775	11	68
LPF 035	800	12	67	LPF 035	1025	15	67

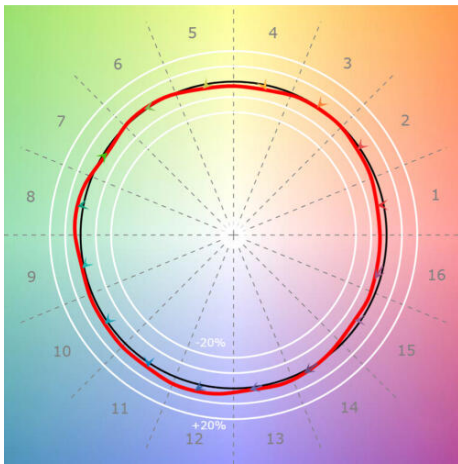
Straight SCB 47				Straight SCB 72			
	Lumens	Watts	LPW		Lumens	Watts	LPW
LPF 017	675	10	70	LPF 017	1025	15	70
LPF 026	1000	15	68	LPF 026	1550	23	68
LPF 035	1350	20	67	LPF 035	2050	31	67

Straight SCB 95				Corner SCD 01			
	Lumens	Watts	LPW		Lumens	Watts	LPW
LPF 017	1350	19	70	LPF 017	325	5	70
LPF 026	2025	30	68	LPF 026	500	7	68
LPF 035	2700	40	67	LPF 035	650	10	67

Cross SCC 01				T Section SCE 01			
	Lumens	Watts	LPW		Lumens	Watts	LPW
LPF 017	650	9	70	LPF 017	800	11	69
LPF 026	975	14	68	LPF 026	1175	17	68
LPF 035	1300	19	67	LPF 035	1575	23	67

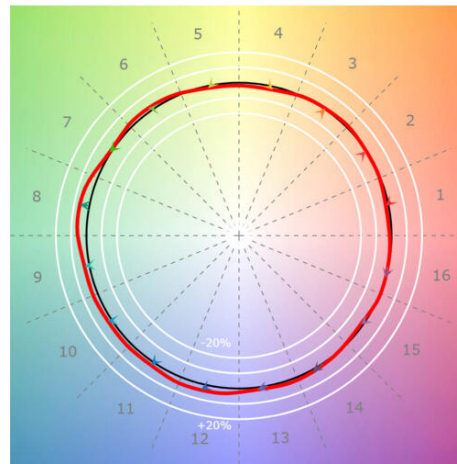
9 TM-30 DATA

CCT 2700K



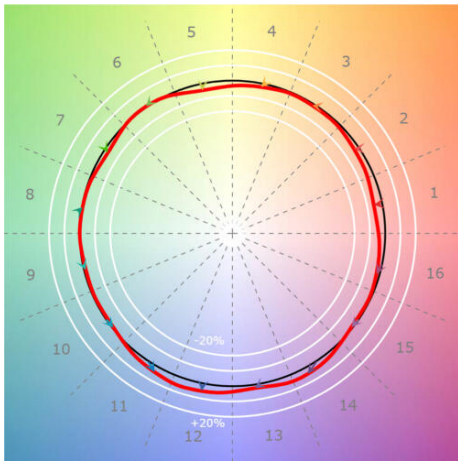
CRI(Ra)	94
CRI(R9)	58
TM30(Rf)	93
TM30(Rg)	99
Duv	0.0004

CCT 3000K



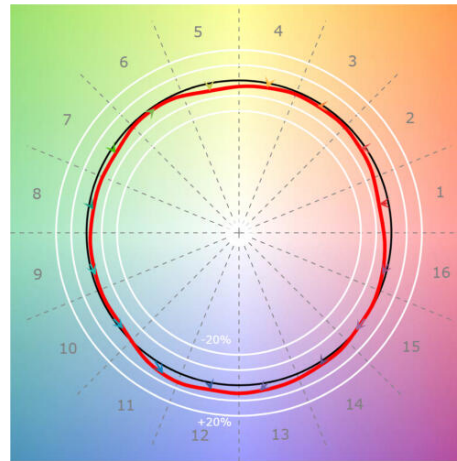
CRI(Ra)	94
CRI(R9)	75
TM30(Rf)	93
TM30(Rg)	102
Duv	-0.0001

CCT 3500K



CRI(Ra)	94
CRI(R9)	53
TM30(Rf)	91
TM30(Rg)	98
Duv	0.0009

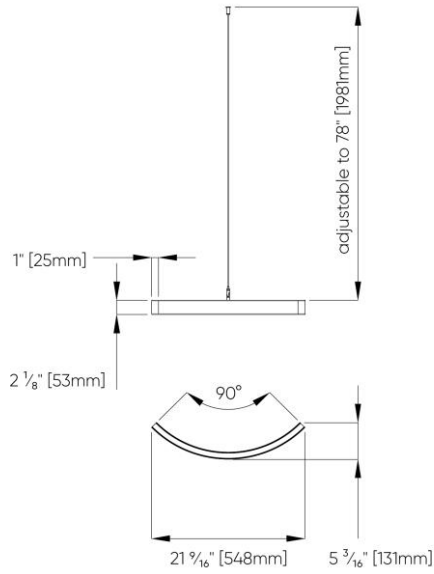
CCT 4000K



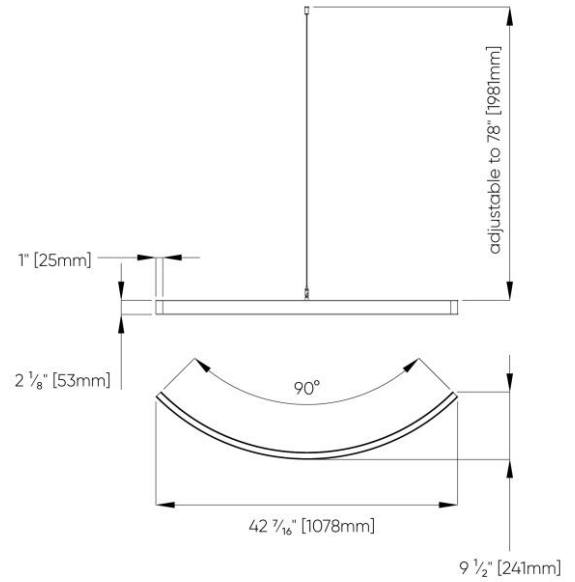
CRI(Ra)	92
CRI(R9)	50
TM30(Rf)	89
TM30(Rg)	97
Duv	0.0011

10 DIMENSIONAL DIAGRAMS

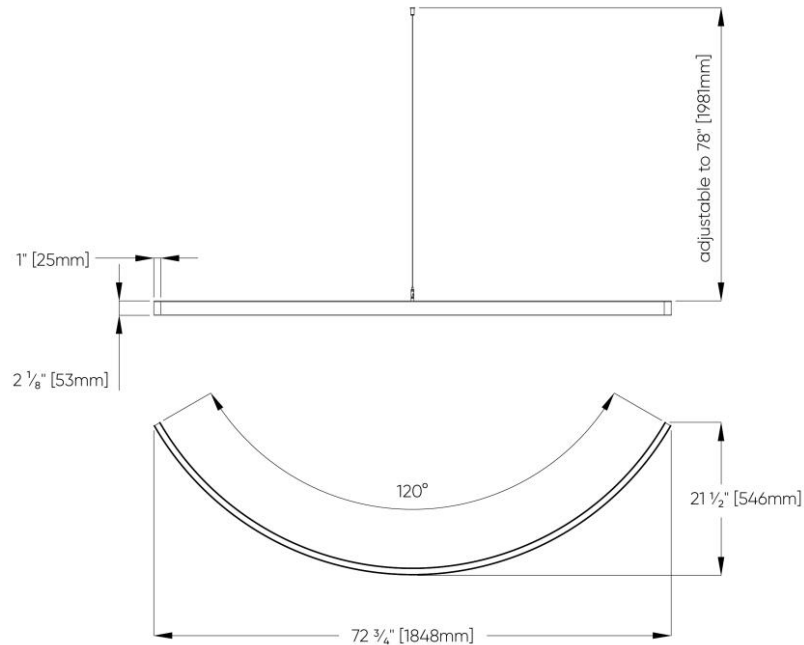
16" Radius



30" Radius

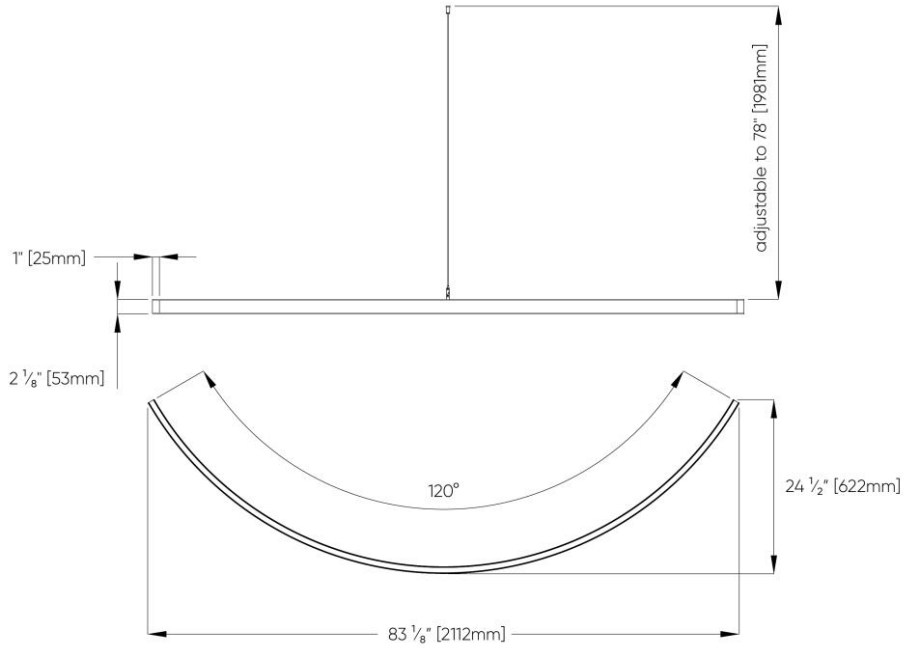


42" Radius

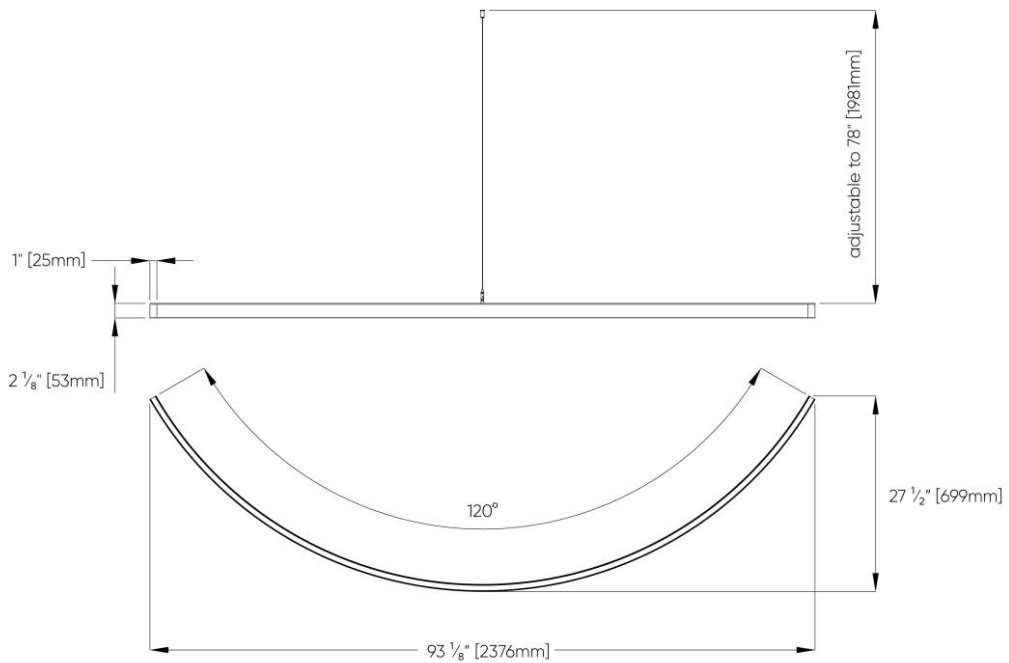


To determine the number of sections to be shipped, a final customer assembly drawing is required.
 Custom shapes available.

48" Radius

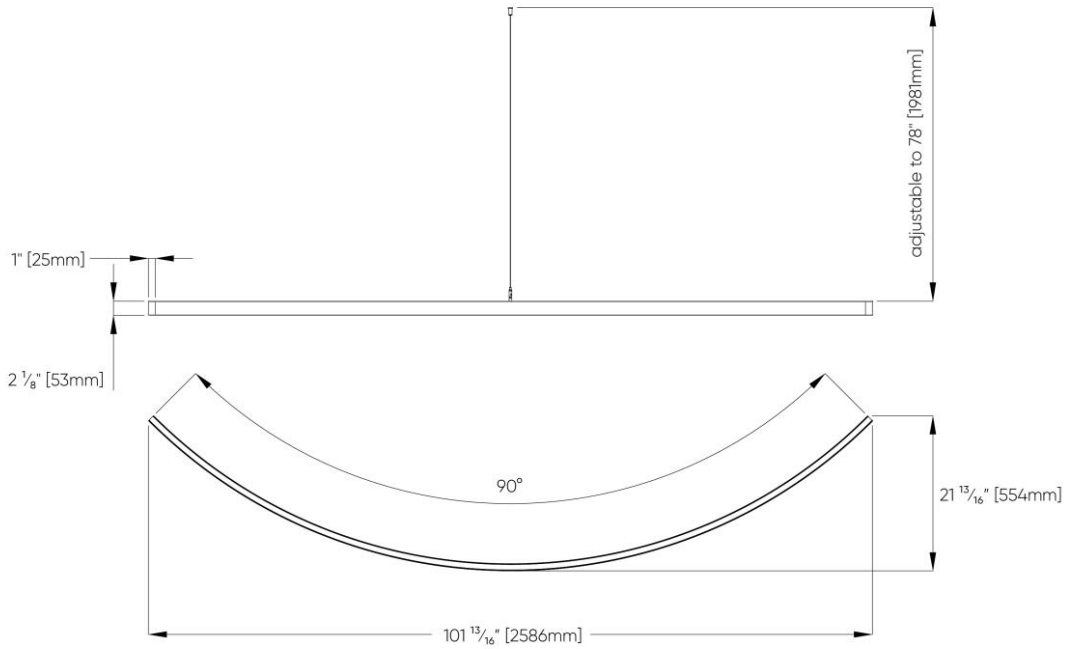


54" Radius

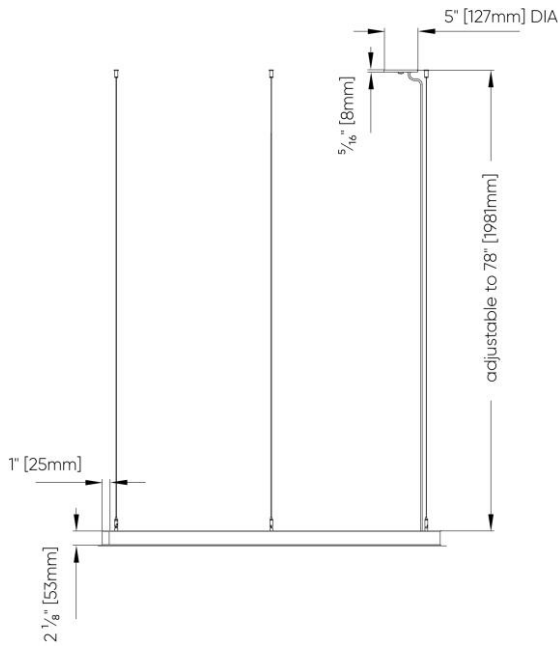


To determine the number of sections to be shipped, a final customer assembly drawing is required.
 Custom shapes available.

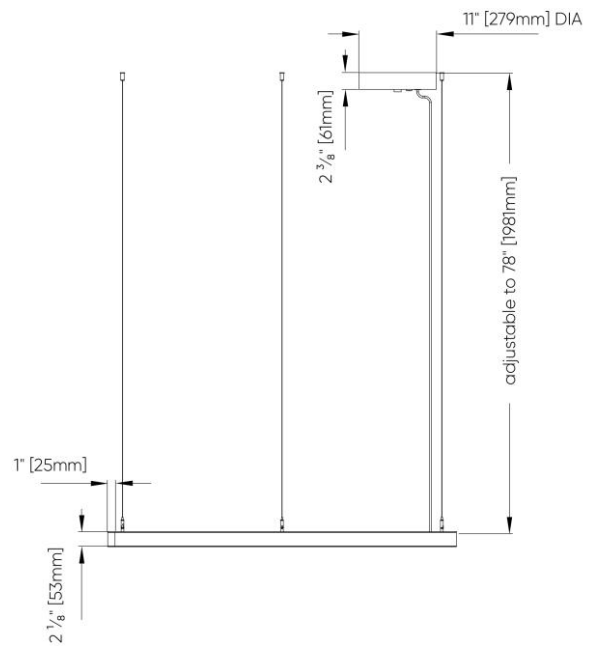
72" Radius



SS1
 Vertical – Remote Driver

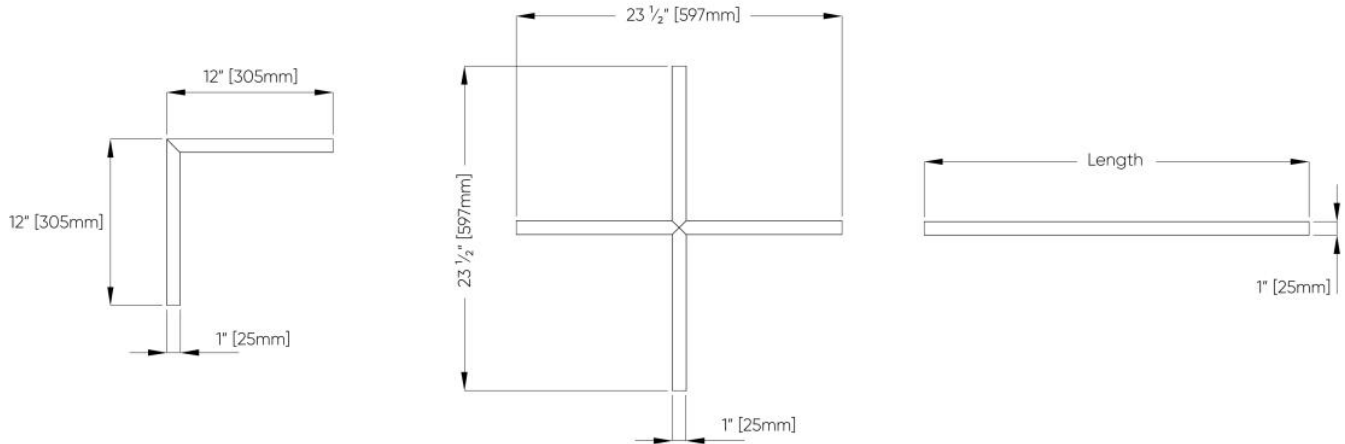


SS3
 Vertical – Integral Driver

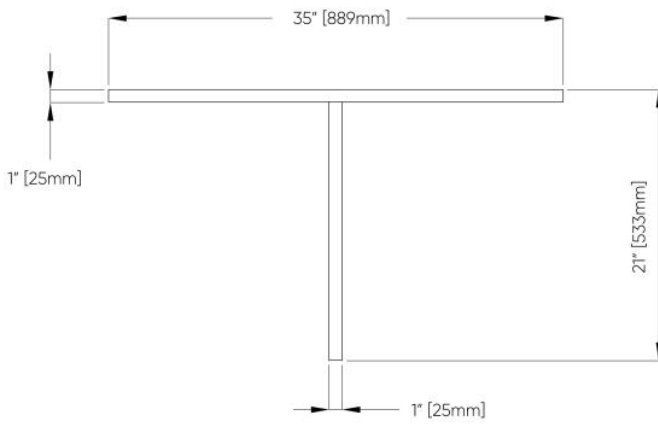


To determine the number of sections to be shipped, a final customer assembly drawing is required.
 Custom shapes available.

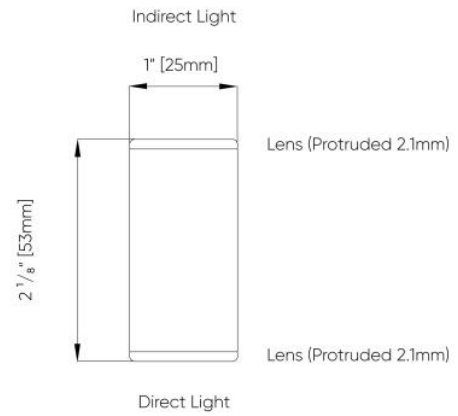
Corner, Cross & Straight Sections



T Section



Profile View



To determine the number of sections to be shipped, a final customer assembly drawing is required.
 Custom shapes available.