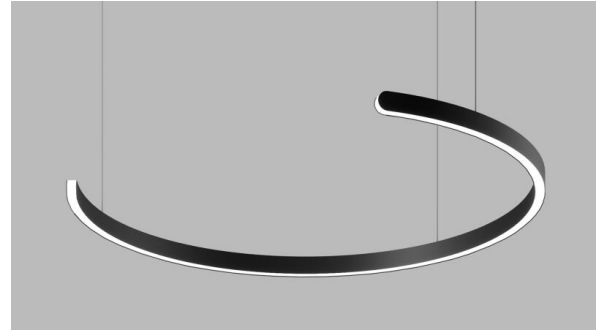




VELOP™

FULL SPECIFICATION SHEET



FIXTURE TYPE



FIXTURE CODE

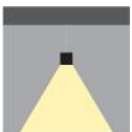


QUANTITIES

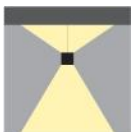
1 DESCRIPTION

VELOP takes shape with a sculpted arc, rounded end caps, and a lens that flows seamlessly from bottom to top, delivering a continuous flow of light that softens architectural lines. Designed to balance structure and fluidity, **VELOP** integrates seamlessly into a variety of spaces—whether as a sculptural focal point or a refined complement to architectural elements. The wrapped diffuser fully envelops the frame, ensuring consistent illumination without visible seams or interruptions. This seamless design enhances both aesthetics and performance, providing uniform light distribution across the entire fixture. The curved ends further reinforce this effect, allowing the lens to transition smoothly around the edges, avoiding harsh cutoffs and maintaining a cohesive, fluid appearance. Available in arc-shape and straight configurations, **VELOP** adapts to dynamic environments, offering scalable solutions for open offices, collaborative workspaces, hospitality settings, and beyond. Its versatility makes it a refined yet impactful lighting solution—one that enhances not just the space but the experience within it.

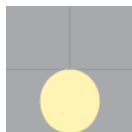
2 OPTICS & FEATURES



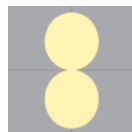
Suspended
Direct



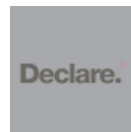
Suspended
Direct/Indirect



Direct



Dir-Indirect



Declare



PoE

3 APPROVALS



4 GENERAL SPECIFICATION

BODY

Aluminum.

SUSPENSION

P.O.S. Power over suspension cable.

REMOTE EMERGENCY

Emergency option provides a 1.5 hour (3 hours for EU) emergency lighting facility. The remote system includes the inverter module, NiCad batteries and a remote wall/ceiling LED charge indicator and test switch (NA only) Maximum distance between wall/ceiling plate and luminaire is 15' (4.5m). Test switch fits a single gang box (not supplied).

POE

Velop can integrate into your data network via Power over Ethernet (PoE) connectivity.

L70 @25°C

> 60,000 hrs.

APPROVALS

Damp Rated.

SEISMIC BRACING

Seismic bracing kits are available to meet compliance requirements. Consult the factory for details.

FINISH

Powder coated.

LENS

Silicone lens is flush with the fixture body.

DRIVERS

Remote, HPF electronic drivers for 120-277V (EU-240V) dimming. Wire size 18 AWG – max distance (from fixture to drivers) 40' (12.2m), wire size 16 AWG – max distance 60' (18.3m), wire size 14 AWG – max distance 90' (27.4m). Drivers must be accessible after installation. Drivers are either remote mounted or integral to the canopy.

MECHANICAL

Luminaires mount directly over J box (by others – North America only).

DELIVERED LUMENS

Delivered lumens & LPW based on 4000K (min 90 CRI).

DESIGN

US Design Patent Pending.

SUSTAINABILITY

Designed for on-site LED board, driver, and optic replacement. Contact the factory for maintenance documentation.

5 DESIGN OPTIONS

FIXTURE FINISH



CANOPY FINISH



6 HOW TO ORDER

1. LUMINAIRE TYPE

VELP Pendant

2. DIAMETER

- SL02 2ft Dir-Ind 6670 lms
- SL03 3ft Dir-Ind 10000 lms
- SL04 4ft Dir-Ind 14470 lms
- SL05 5ft Dir-Ind 18120 lms
- SL06 6ft Dir-Ind 21910 lms
- SL07 7ft Dir-Ind 25990 lms

Max Lumens with Direct-Indirect and AD300.

3. ARC DEGREE

AD120 120° **AD240** 240° **AD300** 300° ¹

¹ 2ft and 3ft diameters, the angle is 300°, 4ft and 5ft diameters, the angle is 320°, 6ft and 7ft diameters, the angle is 330°.

4. DIRECTION

DT1 Direct **DT2** Direct/Indirect

5. LUMENS/FT DIRECT

LPF017 175 lm/ft **LPF026** 260 lm/ft **LPF035** 350 lm/ft **LPF052** 525 lm/ft
LPF080 800 lm/ft ¹

¹ Available with direct only.

6. LUMENS/FT INDIRECT

LPG000 Not required **LPG017** 175 lm/ft ¹ **LPG026** 260 lm/ft **LPG035** 350 lm/ft
LPG052 525 lm/ft

¹ Not available with the 2ft size when arc degree is 120° and direct lumens are 260 lm/ft, 350 lm/ft, or 525 lm/ft.

7. CRI

CR90 CRI 90+

8. CCT

CTA27 2700K **CTA30** 3000K **CTA35** 3500K **CTA40** 4000K

9. VOLTAGE

V1 120/277V **V2** 240V ¹ **V3** 347V ² **V4** Low Voltage ³

¹ Not available in North America. ² Available with DA01 dimming only. ³ V4 available with DA45 dimming only.

10. DIMMING

DA01 0-10V Dimming 1.0% **DA20** DALI Dimming 0.1% **DA21** DALI Dimming 1.0% **DA45** PoE ¹

¹ Available with V4 only.

11. SUSPENSION

SS5 POS, Vertical, Remote driver, 2" Canopy **SS6** POS, Vertical, Remote driver, 4" Canopy **SS7** POS, Hub, Remote driver ¹ **SS9** POS, Hub, Driver Integral to Canopy ^{1,2}

¹ Available with an arc degree of 300° only. The minimum suspension height relative to diameter is as follows: 3' = 18", 4' = 24", 5' = 30", 6' = 36". ² Available with V1 (120V) only.

12. FIXTURE FINISH

FA01 White **FA02** Black Metallic - Textured **FA20** Silver Metallic - Textured **FA25** Gold Metallic - Textured
FA44 Midnight Blue Metallic - Textured **FA45** Copper Metallic **FA46** Charcoal Metallic - Textured **FA47** Bronze Metallic - Textured
FA52 Champagne Metallic

13. CANOPY FINISH

CF01 White **CF02** Black Metallic - Textured **CF20** Silver Metallic - Textured **CF25** Gold Metallic - Textured
CF44 Midnight Blue Metallic - Textured **CF45** Copper Metallic **CF46** Charcoal Metallic - Textured **CF47** Bronze Metallic - Textured
CF52 Champagne Metallic

14. EMERGENCY

E0 Not required **E2** Emergency system - Remote ¹

¹ Not available with V3.

15. CIRCUITS

CS1 Single circuit **CS2** Dual circuit ¹

¹ Not available with SL02 + AD120 + DT2 + LPF017 + LPG017.

7 PERFORMANCE DATA

SL02-AD120-DT1 Susp Pts 3	Lumens	Watts	LPW	SL02-AD120-DT2 Susp Pts 3	Lumens	Watts	LPW
LPF017	460	4	104	LPF017-LPG017	930	9	105
LPF026	700	7	104	LPF026-LPG026	1410	13	105
LPF035	930	9	104	LPF035-LPG035	1860	18	105
LPF052	1400	14	100	LPF052-LPG052	2830	28	101
LPF080	2050	21	96				

SL02-AD240-DT1 Susp Pts 3

	Lumens	Watts	LPW
LPF017	870	8	104
LPF026	1310	13	104
LPF035	1740	17	104
LPF052	2640	26	100
LPF080	3860	40	96

SL02-AD240-DT2 Susp Pts 3

	Lumens	Watts	LPW
LPF017-LPG017	1740	17	105
LPF026-LPG026	2640	25	104
LPF035-LPG035	3490	33	104
LPF052-LPG052	5300	53	101

SL02-AD300-DT1 Susp Pts 3

	Lumens	Watts	LPW
LPF017	1090	10	104
LPF026	1650	16	104
LPF035	2180	21	104
LPF052	3320	33	100
LPF080	4850	51	96

SL02-AD300-DT2 Susp Pts 3

	Lumens	Watts	LPW
LPF017-LPG017	2200	21	105
LPF026-LPG026	3320	32	105
LPF035-LPG035	4390	42	104
LPF052-LPG052	6670	66	101

SL03-AD120-DT1 Susp Pts 3

	Lumens	Watts	LPW
LPF017	700	7	104
LPF026	1050	10	104
LPF035	1390	13	104
LPF052	2110	21	100
LPF080	3070	32	96

SL03-AD120-DT2 Susp Pts 3

	Lumens	Watts	LPW
LPF017-LPF017	1400	13	105
LPF026-LPF026	2120	20	105
LPF035-LPF035	2790	27	105
LPF052-LPF052	4250	42	101

SL03-AD240-DT1 Susp Pts 3

	Lumens	Watts	LPW
LPF017	1300	12	104
LPF026	1970	19	104
LPF035	2600	25	104
LPF052	3960	40	100
LPF080	5760	60	96

SL03-AD240-DT2 Susp Pts 3

	Lumens	Watts	LPW
LPF017-LPG017	2620	25	105
LPF026-LPG026	3960	38	105
LPF035-LPG035	5230	50	105
LPF052-LPG052	7950	79	101

SL03-AD300-DT1 Susp Pts 3

	Lumens	Watts	LPW
LPF017	1640	16	104
LPF026	2480	24	104
LPF035	3280	31	104
LPF052	4980	50	100
LPF080	7240	76	96

SL03-AD300-DT2 Susp Pts 3

	Lumens	Watts	LPW
LPF017-LPF017	3290	31	105
LPF026-LPF026	4980	48	105
LPF035-LPF035	6580	63	105
LPF052-LPF052	10000	99	101

SL04-AD120-DT1 Susp Pts 3

	Lumens	Watts	LPW
LPF017	940	9	105
LPF026	1420	14	105
LPF035	1880	18	105
LPF052	2850	28	101
LPF080	3950	41	95

SL04-AD120-DT2 Susp Pts 3

	Lumens	Watts	LPW
LPF017-LPG017	1880	18	105
LPF026-LPG026	2850	27	105
LPF035-LPG035	3770	36	105
LPF052-LPG052	5730	57	101

SL04-AD240-DT1 Susp Pts 4

	Lumens	Watts	LPW
LPF017	1760	17	105
LPF026	2660	25	105
LPF035	3510	34	105
LPF052	5340	53	101
LPF080	7400	78	95

SL04-AD240-DT2 Susp Pts 4

	Lumens	Watts	LPW
LPF017-LPG017	3530	34	105
LPF026-LPG026	5340	51	105
LPF035-LPG035	7060	67	105
LPF052-LPG052	10730	106	101

SL04-AD300-DT1 Susp Pts 4

	Lumens	Watts	LPW
LPF017	2370	23	105
LPF026	3580	34	105
LPF035	4740	45	105
LPF052	7200	72	100
LPF080	9980	105	95

SL04-AD300-DT2 Susp Pts 4

	Lumens	Watts	LPW
LPF017-LPG017	4760	45	105
LPF026-LPG026	7200	69	105
LPF035-LPG035	9520	91	105
LPF052-LPG052	14470	143	101

SL05-AD120-DT1 Susp Pts 3

	Lumens	Watts	LPW
LPF017	1170	11	105
LPF026	1780	17	105
LPF035	2350	22	105
LPF052	3570	35	101
LPF080	5360	56	96

SL05-AD120-DT2 Susp Pts 3

	Lumens	Watts	LPW
LPF017-LPG017	2360	22	105
LPF026-LPG026	3570	34	105
LPF035-LPG035	4720	45	105
LPF052-LPG052	7170	71	101

SL05-AD240-DT1 Susp Pts 4

	Lumens	Watts	LPW
LPF017	2200	21	105
LPF026	3330	32	105
LPF035	4400	42	105
LPF052	6690	66	100
LPF080	10050	105	96

SL05-AD240-DT2 Susp Pts 4

	Lumens	Watts	LPW
LPF017-LPG017	4420	42	105
LPF026-LPG026	6690	64	105
LPF035-LPG035	8840	84	105
LPF052-LPG052	13400	133	101

SL05-AD300-DT1 Susp Pts 4

	Lumens	Watts	LPW
LPF017	2960	28	105
LPF026	4490	43	105
LPF035	5930	57	105
LPF052	9020	90	101
LPF080	13550	141	96

SL05-AD300-DT2 Susp Pts 4

	Lumens	Watts	LPW
LPF017-LPG017	5950	57	105
LPF026-LPG026	9020	86	105
LPF035-LPG035	11920	113	105
LPF052-LPG052	18120	179	101

SL06-AD120-DT1 Susp Pts 3

	Lumens	Watts	LPW
LPF017	1390	13	105
LPF026	2100	20	105
LPF035	2780	27	105
LPF052	4220	42	100
LPF080	6330	66	95

SL06-AD120-DT2 Susp Pts 3

	Lumens	Watts	LPW
LPF017-LPG017	2790	27	105
LPF026-LPG026	4230	40	105
LPF035-LPG035	5590	53	105
LPF052-LPG052	8480	84	101

SL06-AD240-DT1 Susp Pts 6

	Lumens	Watts	LPW
LPF017	2600	25	105
LPF026	3940	38	105
LPF035	5210	50	105
LPF052	7910	79	100
LPF080	11850	124	95

SL06-AD240-DT2 Susp Pts 6

	Lumens	Watts	LPW
LPF017-LPG017	5230	50	105
LPF026-LPG026	7920	75	105
LPF035-LPG035	10470	100	105
LPF052-LPG052	15890	157	101

SL06-AD300-DT1 Susp Pts 6

	Lumens	Watts	LPW
LPF017	3590	34	104
LPF026	5440	52	104
LPF035	7180	69	104
LPF052	10910	109	100
LPF080	16340	171	95

SL06-AD300-DT2 Susp Pts 6

	Lumens	Watts	LPW
LPF017-LPG017	7210	69	104
LPF026-LPG026	10920	104	104
LPF035-LPG035	14430	137	104
LPF052-LPG052	21910	217	101

SL07-AD120-DT1 Susp Pts 3

	Lumens	Watts	LPW
LPF017	1650	16	105
LPF026	2500	24	105
LPF035	3300	32	105
LPF052	5010	50	101
LPF080	7510	79	95

SL07-AD120-DT2 Susp Pts 3

	Lumens	Watts	LPW
LPF017-LPG017	3310	32	105
LPF026-LPG026	5010	48	105
LPF035-LPG035	6620	63	105
LPF052-LPG052	10060	100	101

SL07-AD240-DT1 Susp Pts 6

	Lumens	Watts	LPW
LPF017	3100	30	105
LPF026	4670	45	105
LPF035	6170	59	105
LPF052	9380	93	101
LPF080	14070	148	95

SL07-AD240-DT2 Susp Pts 6

	Lumens	Watts	LPW
LPF017-LPG017	6200	59	105
LPF026-LPG026	9390	89	105
LPF035-LPG035	12400	118	105
LPF052-LPG052	18850	187	101

SL07-AD300-DT1 Susp Pts 6

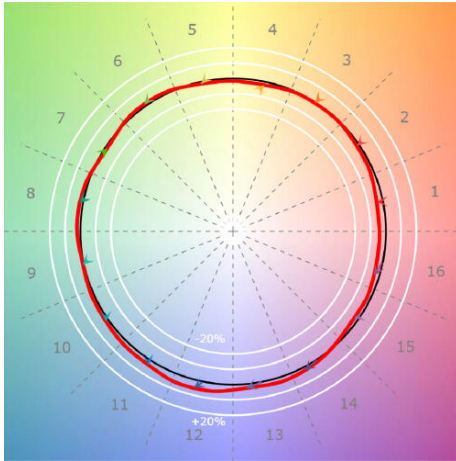
	Lumens	Watts	LPW
LPF017	4250	41	105
LPF026	6440	62	105
LPF035	8510	81	105
LPF052	12940	129	101
LPF080	19400	204	95

SL07-AD300-DT2 Susp Pts 6

	Lumens	Watts	LPW
LPF017-LPG017	8850	81	105
LPF026-LPG026	12940	123	105
LPF035-LPG035	17100	163	105
LPF052-LPG052	25990	257	101

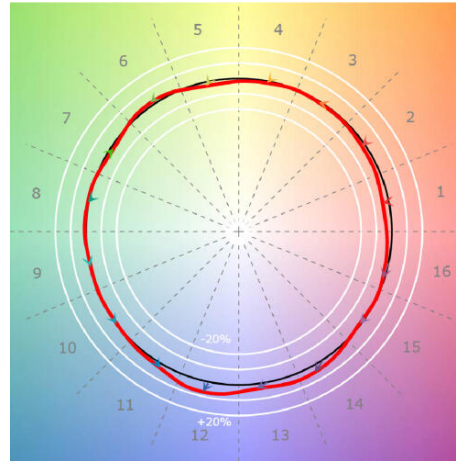
8 TM-30 DATA

CCT 2700K



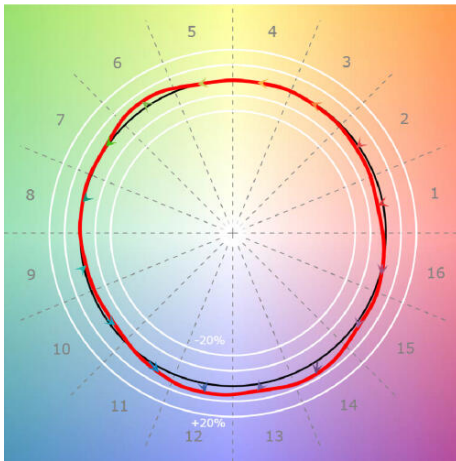
CRI(Ra)	94
CRI(R9)	61
TM30(Rf)	93
TM30(Rg)	100
Duv	-0.0010

CCT 3000K



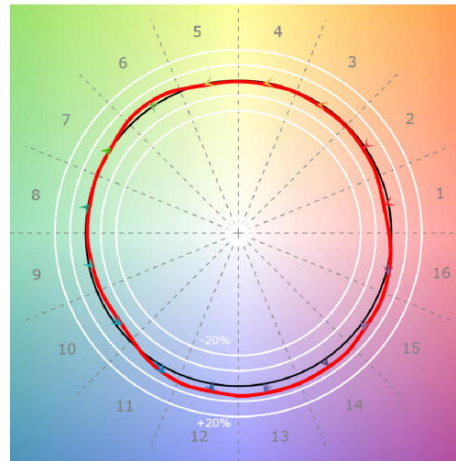
CRI(Ra)	94
CRI(R9)	66
TM30(Rf)	92
TM30(Rg)	100
Duv	-0.0006

CCT 3500K



CRI(Ra)	94
CRI(R9)	86
TM30(Rf)	91
TM30(Rg)	102
Duv	-0.0005

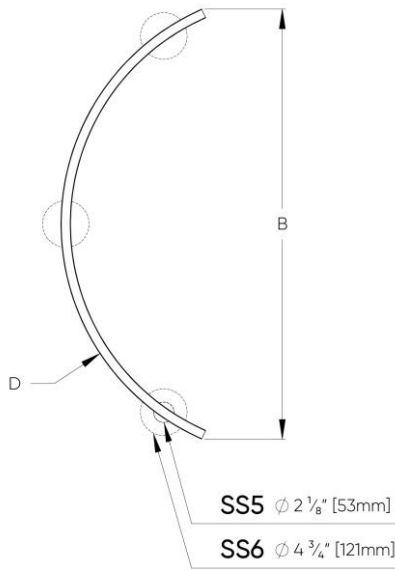
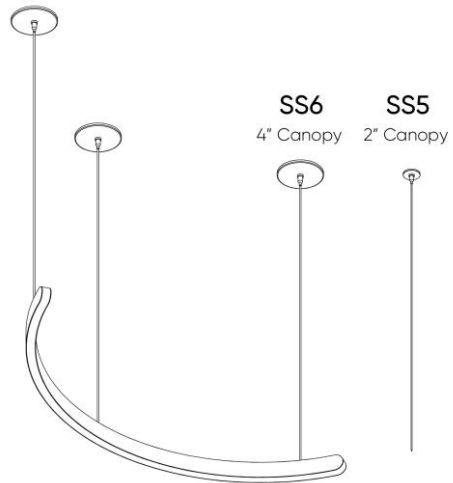
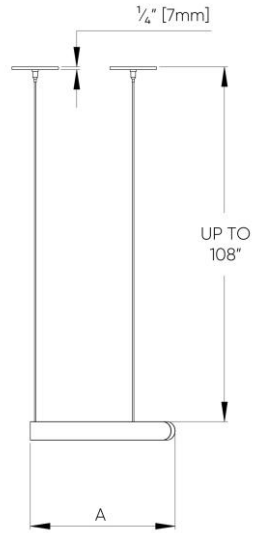
CCT 4000K



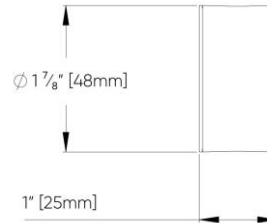
CRI(Ra)	93
CRI(R9)	91
TM30(Rf)	90
TM30(Rg)	101
Duv	0.0009

9 DIMENSIONAL DIAGRAMS

120-Deg Direct & Direct/Indirect – SS6-Vertical (Remote Drivers)



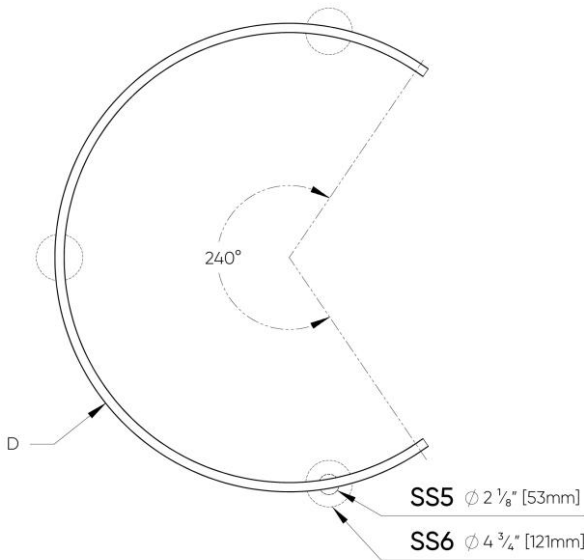
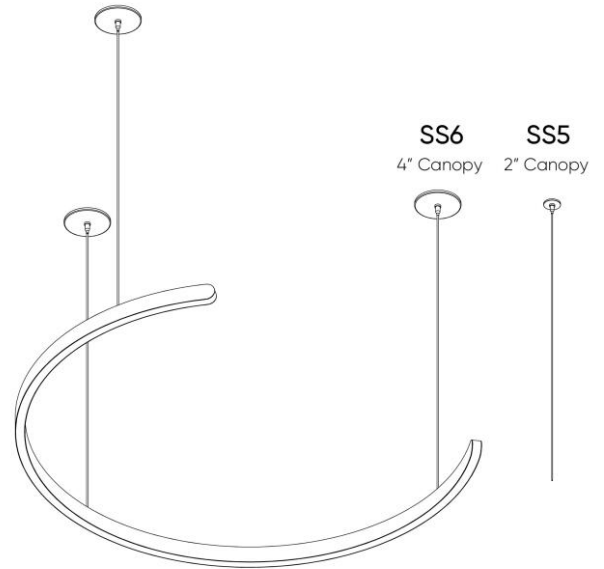
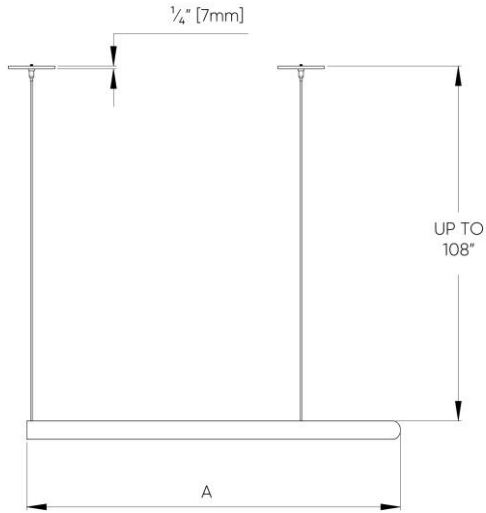
PROFILE DIMENSIONS



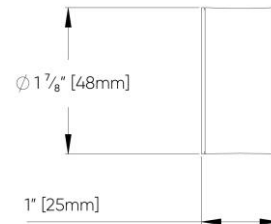
LUMINAIRE DIMENSIONS

Nominal Size	D (Actual Diameter)	A (Depth)	B (Width)	No. of Suspensions
2FT	24 5/8" [626mm]	9" [229mm]	23 1/2" [598mm]	3
3FT	36" [915mm]	11 7/8" [300mm]	33 1/2" [852mm]	3
4FT	48" [1219mm]	14 1/4" [378mm]	44" [1118mm]	3
5FT	60" [1524mm]	17 1/4" [452mm]	54 1/2" [1383mm]	3
6FT	72" [1829mm]	20 3/4" [527mm]	64 3/4" [1648mm]	3
7FT	84" [2134mm]	23 3/4" [604mm]	75 1/4" [1912mm]	3

240-Deg Direct & Direct/Indirect – SS6-Vertical (Remote Drivers)



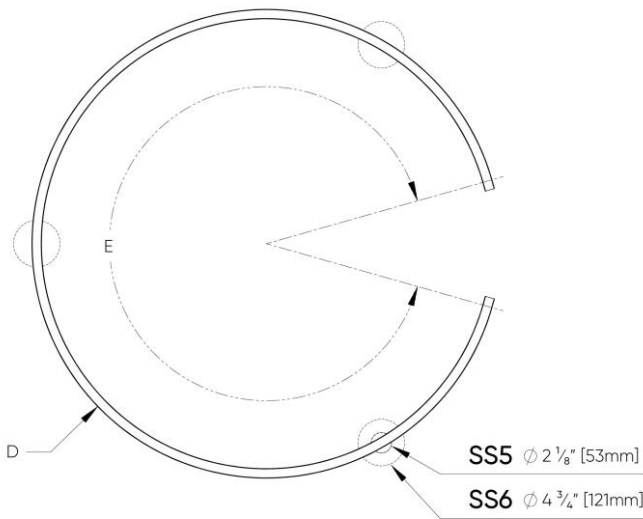
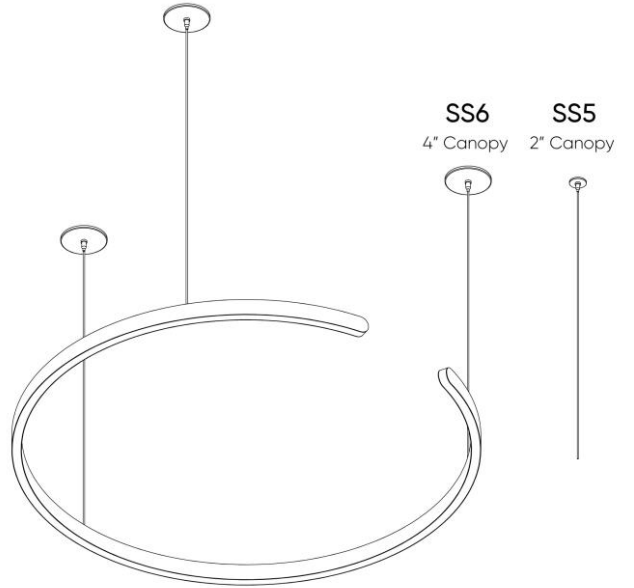
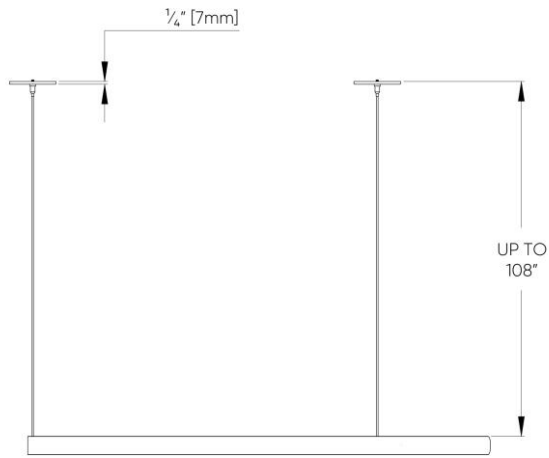
PROFILE DIMENSIONS



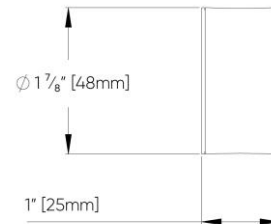
LUMINAIRE DIMENSIONS

Nominal Size	D (Actual Diameter)	A (Depth)	No. of Suspensions
2FT	24 5/8" [626mm]	20 5/8" [524mm]	3
3FT	36" [915mm]	29 1/4" [743mm]	3
4FT	48" [1219mm]	38 1/4" [972mm]	4
5FT	60" [1524mm]	47 1/4" [1200mm]	4
6FT	72" [1829mm]	56 1/4" [1429mm]	6
7FT	84" [2134mm]	65 1/4" [1657mm]	6

300-Deg Direct & Direct/Indirect – SS6-Vertical (Remote Drivers)



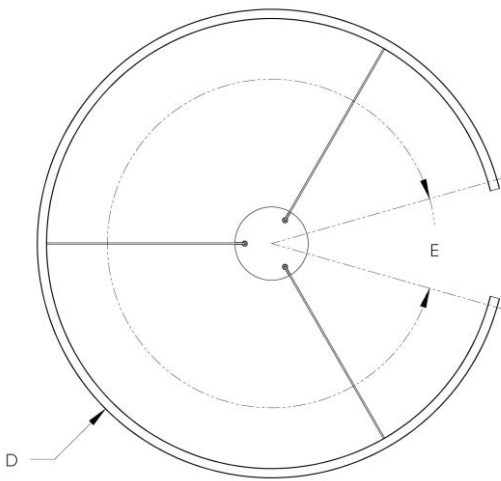
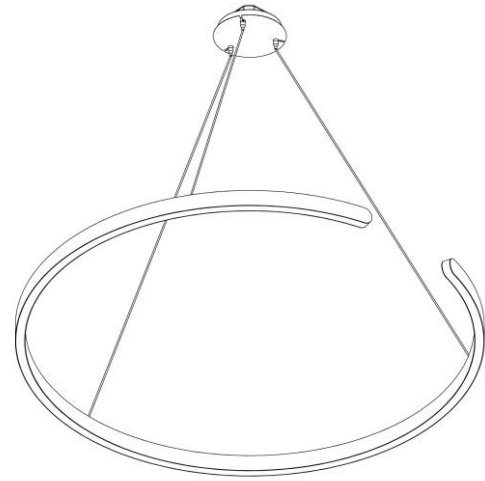
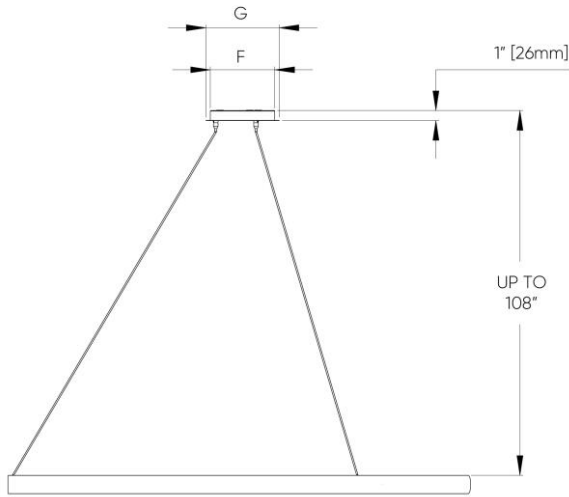
PROFILE DIMENSIONS



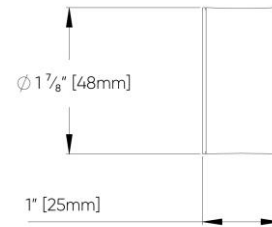
LUMINAIRE DIMENSIONS

Nominal Size	D (Actual Diameter)	E (Sector Angle)	No. of Suspensions
2FT	24 5/8" [626mm]	300°	3
3FT	36" [915mm]	300°	3
4FT	48" [1219mm]	320°	4
5FT	60" [1524mm]	320°	4
6FT	72" [1829mm]	330°	6
7FT	84" [2134mm]	330°	6

300-Deg Direct & Direct/Indirect – SS7-Hub (Remote Drivers)

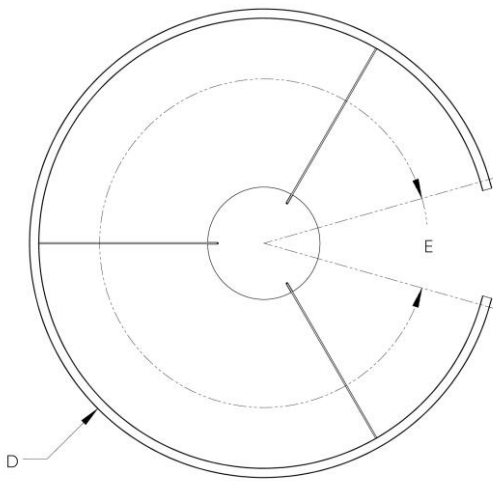
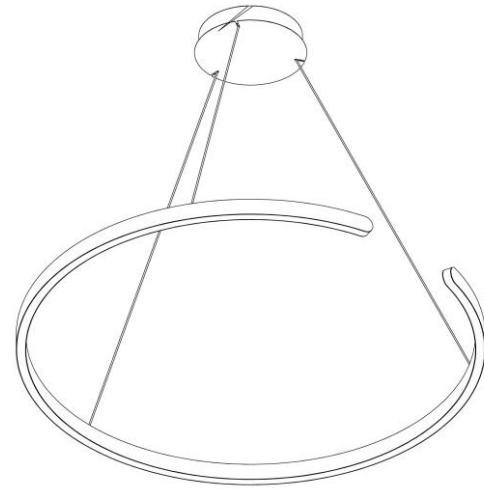
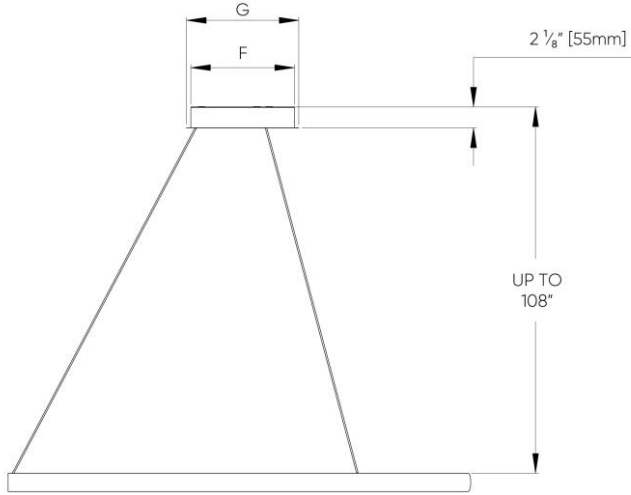


PROFILE DIMENSIONS

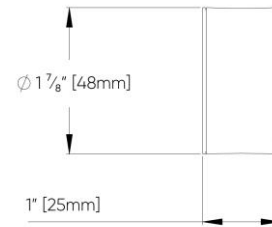


LUMINAIRE DIMENSIONS					
Nominal Size	D (Actual Diameter)	E (Sector Angle)	F (Canopy Size)	G (Canopy Cover Size)	No. of Suspensions
2FT	24 $\frac{5}{8}''$ [626mm]	300°	6 $\frac{5}{8}''$ [168mm]	7 $\frac{1}{2}''$ [191mm]	3
3FT	36" [915mm]	300°	6 $\frac{5}{8}''$ [168mm]	7 $\frac{1}{2}''$ [191mm]	3
4FT	48" [1219mm]	320°	6 $\frac{5}{8}''$ [168mm]	7 $\frac{1}{2}''$ [191mm]	4
5FT	60" [1524mm]	320°	10 $\frac{5}{8}''$ [270mm]	11 $\frac{1}{2}''$ [292mm]	4
6FT	72" [1829mm]	330°	10 $\frac{5}{8}''$ [270mm]	11 $\frac{1}{2}''$ [292mm]	6
7FT	84" [2134mm]	330°	10 $\frac{5}{8}''$ [270mm]	11 $\frac{1}{2}''$ [292mm]	6

300-Deg Direct & Direct/Indirect – SS9-Hub (Integral Drivers)



PROFILE DIMENSIONS



LUMINAIRE DIMENSIONS					
Nominal Size	D (Actual Diameter)	E (Sector Angle)	F (Canopy Size)	G (Canopy Cover Size)	No. of Suspensions
2FT	24 5/8" [626mm]	300°	10 5/8" [270mm]	11 1/2" [292mm]	3
3FT	36" [915mm]	300°	10 5/8" [270mm]	11 1/2" [292mm]	3
4FT	48" [1219mm]	320°	10 5/8" [270mm]	11 1/2" [292mm]	4
5FT	60" [1524mm]	320°	13 1/2" [342mm]	14 3/8" [365mm]	4
6FT	72" [1829mm]	330°	13 1/2" [342mm]	14 3/8" [365mm]	6
7FT	84" [2134mm]	330°	13 1/2" [342mm]	14 3/8" [365mm]	6