

BLOCK QUAD™ - SUSPENDED

Project Name:

Fixture Type:

Fixture Code:

Quantities:



BLOCK QUAD™ - SUSPENDED



BLOCK QUAD™ - SUSPENDED

BLOCK, while designed in the classic form, is a linear system like no other. It is unique in two magnitudes. Firstly on output, **BLOCK** surpasses the typical levels of output and efficacy. Secondly, **BLOCK** delivers on specification capabilities. Nearly every component has alternatives allowing designers to configure a luminaire designed precisely to the needs of the space - a bona fide architectural system. **BLOCK** is the go-to linear that adapts to a variety of performance needs and budgetary requirements. Use our new preconfigured quads to create and complement grid effects.

GENERAL SPECIFICATION

Body

Aluminum.

Suspension

Steel cables.

PoE

Can be integrated into your data network via Power over Ethernet (PoE) connectivity.

BIOS

For circadian lighting, consult factory.

Sensors

Compatible with Avi-On, Casambi, Enlighted, Lutron Vive, nLight, NX Lighting Controls, Osram, Philips, and others. Consult factory.

Mechanical

Luminaires mount directly over J box (by others).

Reported L70 @25°C (77°F)

> 60,000 hrs @ 2000 lumens/ft (6000 lumens/m)

Tunable White

Tunable white available, consult factory.

Approvals

Damp Rated.

Finish

Powder coated.

Power cable

Silver braided.

Integral Emergency system

Emergency option provides a 1.5 hour (3 hours for EU) emergency lighting facility. The self contained system includes the inverter module, NiCad batteries, LED charge indicator and test switch (NA only). Not available with a 347V supply.

Drivers

HPF electronic drivers for 120-277V, 347 (EU-240V). The driver is integral to the fixture housing.

Diffuser

Opal acrylic.

Estimated L70 @25°C (77°F)

> 165,000 hrs @ 2000 lumens/ft (6000 lumens/m)

Delivered lumens

Delivered lumens & LPW based on 4000K CRI 80+

Design

US Design Patent Pending.

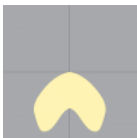
MOUNTING & OPTICS



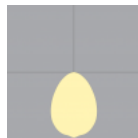
Suspended Direct



Suspended Direct/Indirect



Direct DD2



Direct DD3



Indirect



Bios



Declare



PoE



BLOCK QUAD™ - SUSPENDED

HOW TO ORDER

A. LUMINAIRE

BLQP1P01 32" Sq, Direct

BLQP1P02 56" Sq, Direct

BLQP1P05 32" x 56", Direct

BLQP2P01 32" Sq, Direct/Indirect

BLQP2P02 56" Sq, Direct/Indirect

BLQP2P05 32" x 56", Direct/Indirect

For larger sizes, refer to Block Systems.
One power cord for every 50 linear ft.

B. LUMENS/FT (DIRECT)

LPF020 200 lm/ft

LPF040 400 lm/ft

LPF060 600 lm/ft

LPF080 800 lm/ft

LPF100 1000 lm/ft

LPF120 1200 lm/ft

LPF140 1400 lm/ft

C. LUMENS/FT (INDIRECT)

LPG000 Not required

LPG020 200 lm/ft

LPG040 400 lm/ft

LPG060 600 lm/ft

LPG080 800 lm/ft

LPG100 1000 lm/ft

LPG120 1200 lm/ft

LPG140 1400 lm/ft ¹

LPG165 1650 lm/ft ¹

D. CRI

CR80 CRI 80+

CR90 CRI 90+

E. CCT DIRECT

CTA30 3000K

CTA35 3500K

CTA40 4000K

F. CCT INDIRECT

CTB00 Not required

CTB30 3000K

CTB35 3500K

CTB40 4000K

G. DIRECT DIFFUSER

DD2 Batwing Diffuser

DD3 Diffused Light Diffuser

H. INDIRECT DIFFUSER

UD0 Not required

UD1 Clear diffuser (Batwing distribution)

I. UPLIGHT BLACKOUT PLATE

UB00 Not required

UB_ _ Blackout plate ¹

¹ Available on a per foot basis. May be required to prevent lighting up of duct work in loft type applications.

J. VOLTAGE

V1 120/277V

V2 240V ¹

V3 347V ²

V4 Low Voltage ³

¹ Not available in North America.

² Only available with DA01 dimming.

³ Only available with DA45 dimming.



BLOCK QUAD™ - SUSPENDED

K. DIMMING

DA01 0-10V Dimming 1.0%
DA30 DSI/switchDim ²

DA02 0-10V Dimming 0.1% ¹
DA45 PoE ³

DA20 DALI Dimming 0.1% ¹

DA21 DALI Dimming 1.0% ¹

¹ Not available with V3.

² Not available in North America.

³ Only available with V4.

L. CEILING TYPE

G1 Grid ceiling ¹

H1 Hard ceiling ²

The cost for the canopies, power cables, connections mechanisms and endcaps for the fixture has been added to these items.

¹ Combo kit provided includes installation to T-bar and through tile mount.

² Designed for drywall ceilings.

M. SUSPENSION

HLA03 3ft cable suspension

HLA06 6ft cable suspension

HLA09 9ft cable suspension

* Note: Special order available on lengths over 13ft and may be subject to longer lead times, consult factory.

N. FIXTURE FINISH

FA01 White

FA02 Black Metallic - Textured

FA20 Silver Metallic - Textured

FA25 Gold Metallic - Textured

FA27 Wood grain - Light Cherry ¹

FA28 Wood grain - Dark Walnut ¹

FA44 Midnight Blue Metallic - Textured

FA45 Copper Metallic

FA46 Charcoal Metallic - Textured

FA47 Bronze Metallic - Textured

FA52 Champagne Metallic

FA53 Red Metallic - Textured

¹ Longer lead times may apply, consult factory.

O. CANOPY FINISH

CF01 White

CF02 Black Metallic - Textured

CF20 Silver Metallic - Textured

CF25 Gold Metallic - Textured

CF44 Midnight Blue Metallic - Textured

CF45 Copper Metallic

CF46 Charcoal Metallic - Textured

CF47 Bronze Metallic - Textured

CF52 Champagne Metallic

CF53 Red Metallic - Textured

P. EMERGENCY

E0 Not required

E1 Emergency system - Integral

E3 Emergency generated circuit - Remote ¹

¹ Specify quantity of emergency sections or emergency generator circuits required based off total length of run. Available upon request, consult factory for details. Not available with 347V.

Note: a drawing will be required at time of ordering to determine the required location of the emergency sections or generator circuits.

Q. CIRCUITS

CS1 Single circuit

CS2 Dual circuit ¹

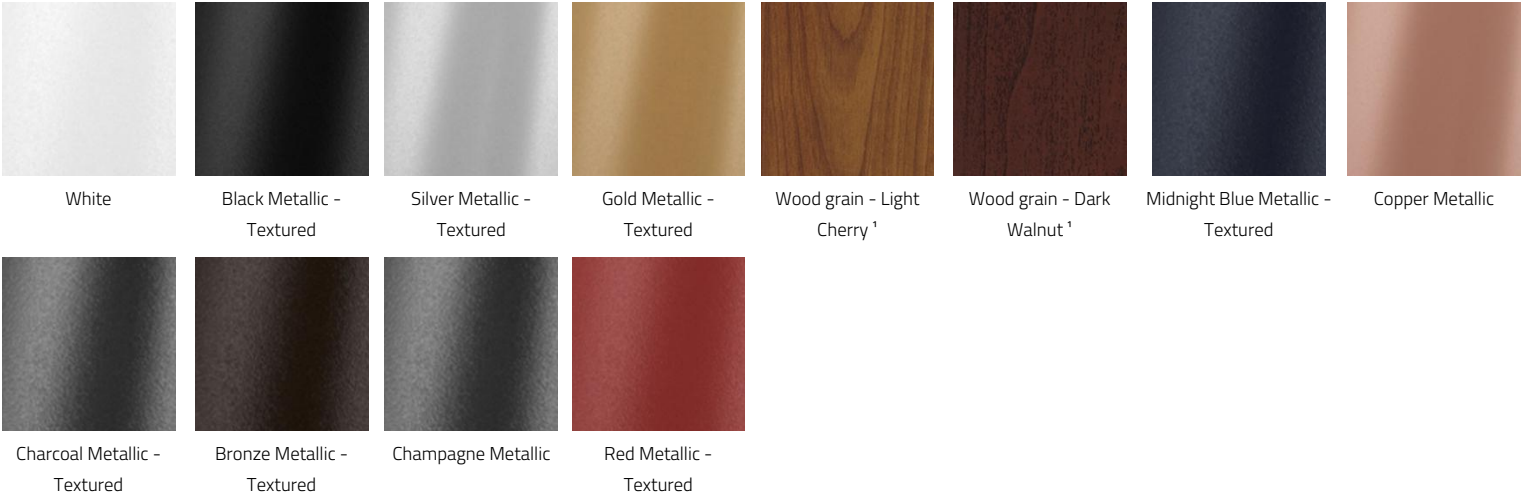
¹ Only required if ordering Emergency system.

R. SENSORS



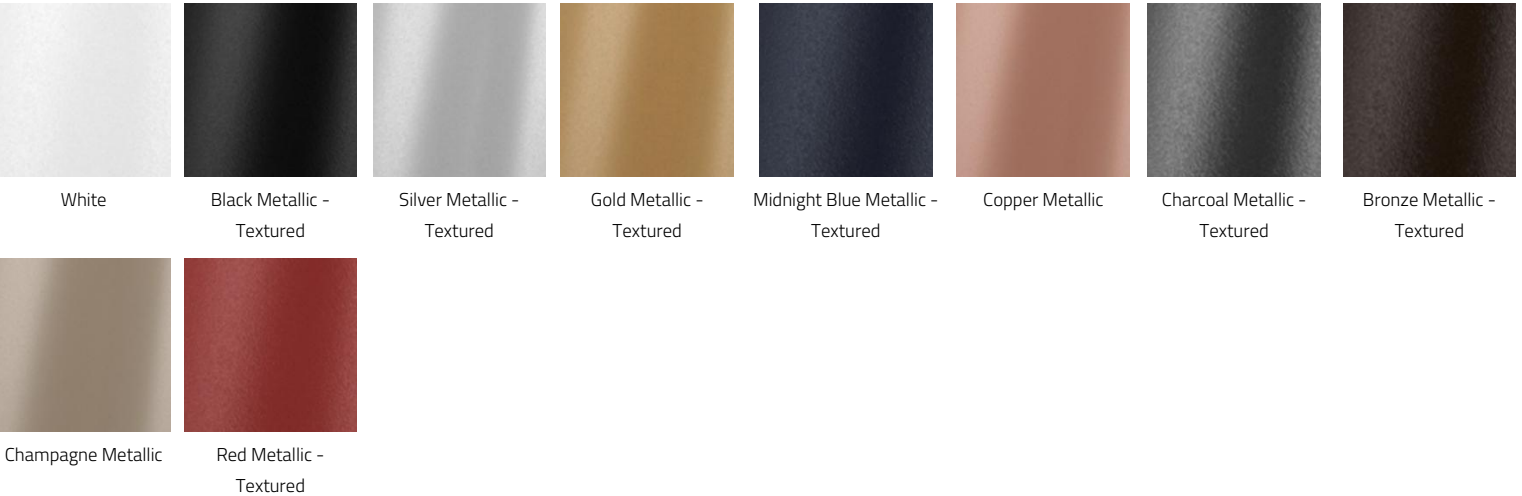
BLOCK QUAD™ - SUSPENDED

FIXTURE FINISH



¹ Longer lead times may apply, consult factory.

CANOPY FINISH



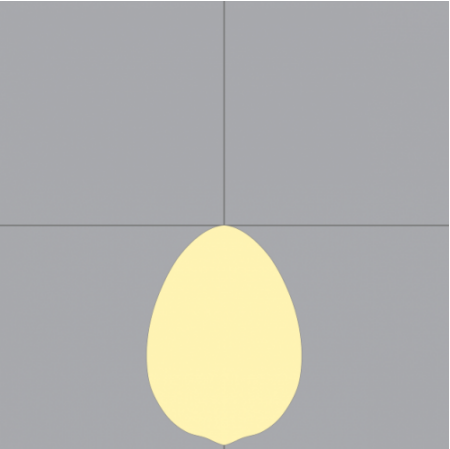
APPROVALS



BLOCK QUAD™ - SUSPENDED

PERFORMANCE DATA

DIRECT DIFFUSED (DD3)

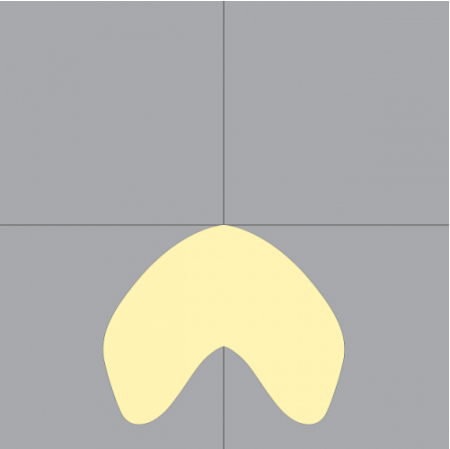


LUMEN/FT
1400
1200
1000
800
600
400
200

WATT/FT
13
11
9
7
5
3
2

LPW
116
120
123
126
130
134
136

DIRECT BATWING (DD2)

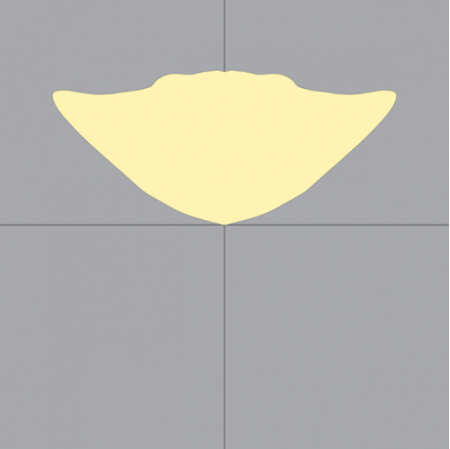


LUMEN/FT
1400
1200
1000
800
600
400
200

WATT/FT
13
11
9
7
5
3
2

LPW
116
119
122
125
129
132
138

INDIRECT BATWING (UD1)



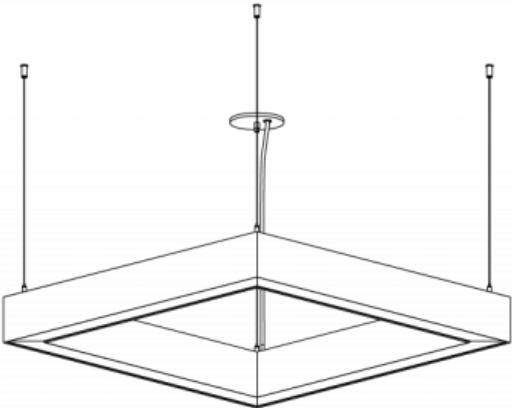
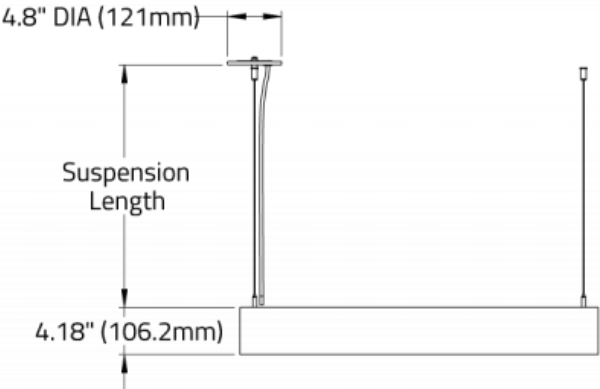
LUMEN/FT
1650
1400
1200
1000
800
600
400
200

WATT/FT
13
10
9
7
6
4
3
1

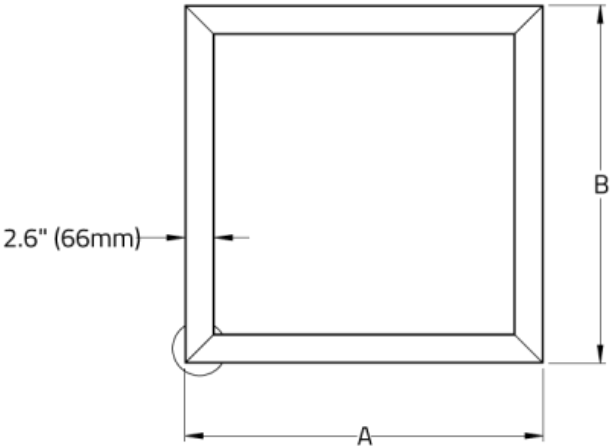
LPW
133
138
141
145
147
151
154
154

BLOCK QUAD™ - SUSPENDED

DIMENSIONAL DIAGRAMS



ISOMETRIC BOTTOM VIEW



Luminaire	A	B
BLFQ1P01/BLFQ2P01	31.76" (806.6mm)	31.76" (806.6mm)
BLFQ1P02/BLFQ2P02	55.76" (1416.2mm)	55.76" (1416.2mm)
BLFQ1P05/BLFQ2P05	31.76" (806.6mm)	55.76" (1416.2mm)