

BLOCK QUAD™ - SUSPENDED

Project Name:

Fixture Type:

Fixture Code:

Quantities:

A. LUMINAIRE

BLQP1P01 32" Sq, Direct	BLQP1P02 56" Sq, Direct	BLQP1P05 32" x 56", Direct	BLQP2P01 32" Sq, Direct/Indirect
BLQP2P02 56" Sq, Direct/Indirect	BLQP2P05 32" x 56", Direct/Indirect		

For larger sizes, refer to Block Systems.
One power cord for every 50 linear ft.

B. LUMENS/FT (DIRECT)

LPF020 200 lm/ft	LPF040 400 lm/ft	LPF060 600 lm/ft	LPF080 800 lm/ft
LPF100 1000 lm/ft	LPF120 1200 lm/ft	LPF140 1400 lm/ft	

C. LUMENS/FT (INDIRECT)

LPG000 Not required	LPG020 200 lm/ft	LPG040 400 lm/ft	LPG060 600 lm/ft
LPG080 800 lm/ft	LPG100 1000 lm/ft	LPG120 1200 lm/ft	LPG140 1400 lm/ft ¹
LPG165 1650 lm/ft ¹			

D. CRI

CR80 CRI 80+	CR90 CRI 90+
---------------------	---------------------

E. CCT DIRECT

CTA30 3000K	CTA35 3500K	CTA40 4000K
--------------------	--------------------	--------------------

F. CCT INDIRECT

CTB00 Not required	CTB30 3000K	CTB35 3500K	CTB40 4000K
---------------------------	--------------------	--------------------	--------------------

G. DIRECT DIFFUSER

DD2 Batwing Diffuser	DD3 Diffused
-----------------------------	---------------------

H. INDIRECT DIFFUSER

UD0 Not required	UD1 Batwing
-------------------------	--------------------

I. UPLIGHT BLACKOUT PLATE

UB00 Not required	UB_ _ Blackout plate ¹
--------------------------	--

¹ Available on a per foot basis. May be required to prevent lighting up of duct work in loft type applications.

J. VOLTAGE

V1 120/277V	V2 240V ¹	V3 347V ²	V4 Low Voltage ³
--------------------	-----------------------------	-----------------------------	------------------------------------

¹ Not available in North America.

² Only available with DA01 dimming.

³ Only available with DA45 dimming.

BLOCK QUAD™ - SUSPENDED

K. DIMMING

DA01 0-10V Dimming 1.0%
DA30 DSI/switchDim²

DA02 0-10V Dimming 0.1%¹
DA45 PoE³

DA20 DALI Dimming 0.1%¹

DA21 DALI Dimming 1.0%¹

¹ Not available with V3.

² Not available in North America.

³ Only available with V4.

L. CEILING TYPE

G1 Grid ceiling¹

H1 Hard ceiling²

The cost for the canopies, power cables, connections mechanisms and endcaps for the fixture has been added to these items.

¹ Combo kit provided includes installation to T-bar and through tile mount.

² Designed for drywall ceilings.

M. SUSPENSION

HLA03 3ft cable suspension

HLA06 6ft cable suspension

HLA09 9ft cable suspension

* Note: Special order available on lengths over 13ft and may be subject to longer lead times, consult factory.

N. FIXTURE FINISH

FA01 White - Textured

FA02 Black Metallic - Textured

FA20 Silver Metallic - Textured

FA25 Gold Metallic - Textured

FA27 Wood grain - Light Cherry¹

FA28 Wood grain - Dark Walnut¹

FA44 Midnight Blue Metallic - Textured

FA45 Copper Metallic

FA46 Charcoal Metallic - Textured

FA47 Bronze Metallic - Textured

FA52 Champagne Metallic

FA53 Red Metallic - Textured

¹ Longer lead times may apply, consult factory.

O. CANOPY FINISH

CF01 White - Textured

CF02 Black Metallic - Textured

CF20 Silver Metallic - Textured

CF25 Gold Metallic - Textured

CF44 Midnight Blue Metallic - Textured

CF45 Copper Metallic

CF46 Charcoal Metallic - Textured

CF47 Bronze Metallic - Textured

CF52 Champagne Metallic

CF53 Red Metallic - Textured

P. EMERGENCY

E0 Not required

E1 Emergency system - Integral¹

E3 Emergency generated circuit - Remote¹

¹ Specify quantity of emergency sections or emergency generator circuits required based off total length of run. Available upon request, consult factory for details. Not available with 347V.

Note: a drawing will be required at time of ordering to determine the required location of the emergency sections or generator circuits.

Q. CIRCUITS

CS1 Single circuit

CS2 Dual circuit¹

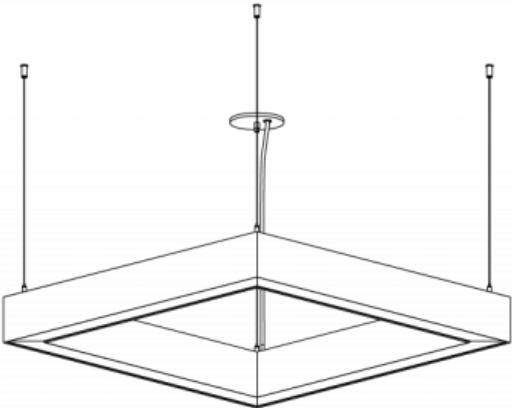
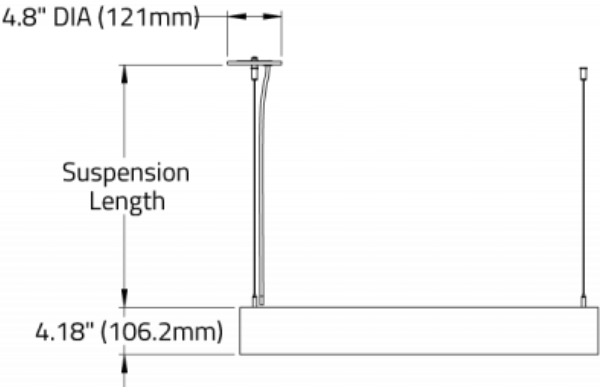
¹ Only required if ordering Emergency system.

R. SENSORS

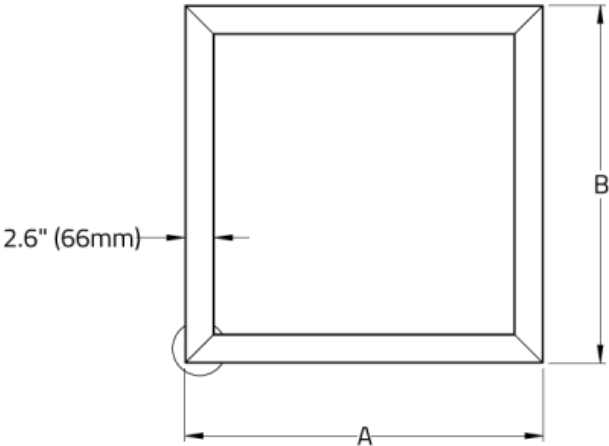


BLOCK QUAD™ - SUSPENDED

DIMENSIONAL DIAGRAMS



ISOMETRIC BOTTOM VIEW



Luminaire	A	B
BLFQ1P01/BLFQ2P01	31.76" (806.6mm)	31.76" (806.6mm)
BLFQ1P02/BLFQ2P02	55.76" (1416.2mm)	55.76" (1416.2mm)
BLFQ1P05/BLFQ2P05	31.76" (806.6mm)	55.76" (1416.2mm)