

# BLOCK SYSTEMS™ - SUSPENDED

Project Name:

Fixture Type:

Fixture Code:

Quantities:

## A. CHOOSE A MODULE

Make a selection from one of the following 7 sections. One power cord for every 50 linear feet. Connection parts for each section are shipped separately for on-site assembly. Project drawings are not required for this product.

### STRAIGHT SECTIONS - 2FT

**BL1PSL02** 2ft middle section Direct

**BL1PSM02** 2ft middle section with power cord Direct

**BL1PSN02** 2ft section with end cap Direct

**BL1PSP02** 2ft middle with end cap and power cord Direct

Available as Direct only.

### STRAIGHT SECTIONS - 4FT

**BL1PSL04** 4ft middle section Direct

**BL1PSM04** 4ft middle section with power cord Direct

**BL1PSN04** 4ft section with end cap Direct

**BL1PSP04** 4ft section with end cap and power cord Direct

**BL2PSL04** 4ft middle section Direct/Indirect

**BL2PSM04** 4ft middle section with power cord Direct/Indirect

**BL2PSN04** 4ft section with end cap Direct/Indirect

**BL2PSP04** 4ft section with end cap and power cord Direct/Indirect

### STRAIGHT SECTION 6FT

**BL1PSL06** 6ft middle section Direct

**BL1PSM06** 6ft middle section with power cord Direct

**BL1PSN06** 6ft section with end cap Direct

**BL1PSP06** 6ft section with end cap and power cord Direct

**BL2PSL06** 6ft middle section Direct/Indirect

**BL2PSM06** 6ft middle section with power cord Direct/Indirect

**BL2PSN06** 6ft section with end cap Direct/Indirect

**BL2PSP06** 6ft section with end cap and power cord Direct/Indirect

### STRAIGHT SECTION 8FT

**BL1PSL08** 8ft middle section Direct

**BL1PSM08** 8ft middle section with power cord Direct

**BL1PSN08** 8ft section with end cap Direct

**BL1PSP08** 8ft section with end cap and power cord Direct

**BL2PSL08** 8ft middle section Direct/Indirect

**BL2PSM08** 8ft middle section with power cord Direct/Indirect

**BL2PSN08** 8ft section with end cap Direct/Indirect

**BL2PSP08** 8ft middle section with end cap and power cord Direct/Indirect

### STRAIGHT SECTION 10FT

**BL1PSL10** 10ft middle section Direct

**BL1PSM10** 10ft middle section with power cord Direct

**BL1PSN10** 10ft section with end cap Direct

**BL1PSP10** 10ft section with end cap and power cord Direct

**BL2PSL10** 10ft middle section Direct/Indirect

**BL2PSM10** 10ft middle section with power cord Direct/Indirect

**BL2PSN10** 10ft section with end cap Direct/Indirect

**BL2PSP10** 10ft section with end cap and power cord Direct/Indirect

### STRAIGHT SECTION 12FT

**BL1PSL12** 12ft middle section Direct

**BL1PSM12** 12ft middle section with power cord Direct

**BL1PSN12** 12ft section with end cap Direct

**BL1PSP12** 12ft section with end cap and power cord Direct

**BL2PSL12** 12ft middle section Direct/Indirect

**BL2PSM12** 12ft middle section with power cord Direct/Indirect

**BL2PSN12** 12ft section with end cap Direct/Indirect

**BL2PSP12** 12ft section with end cap and power cord Direct/Indirect

### CORNER SECTION (28"X28" L SHAPE)

**BL1PSL01** Corner with no end caps Direct

**BL1PSM01** Corner middle with power cord Direct

**BL1PSN01** Corner with Left end cap Direct

**BL1PSN03** Corner with Right end cap Direct

**BL1PSP01** Corner with Left end cap and power cord Direct

**BL1PSP03** Corner with Right end cap and power cord Direct

**BL2PSL01** Corner with no end caps Direct/Indirect

**BL2PSM01** Corner middle with power cord Direct/Indirect

**BL2PSN01** Corner with Left end cap Direct/Indirect

**BL2PSN03** Corner with Right end cap Direct/Indirect

**BL2PSP01** Corner with Left end cap and power cord Direct/Indirect

**BL2PSP03** Corner with Right end cap and power cord Direct/Indirect



# BLOCK SYSTEMS™ - SUSPENDED

## B. LM/FT (DIRECT)

<b>LPF020</b> 200 lm/ft	<b>LPF040</b> 400 lm/ft	<b>LPF060</b> 600 lm/ft	<b>LPF080</b> 800 lm/ft
<b>LPF100</b> 1000 lm/ft	<b>LPF120</b> 1200 lm/ft	<b>LPF140</b> 1400 lm/ft	

All data shown based on DD3 diffuser.

## C. LM/FT (INDIRECT)

<b>LPG000</b> Not required	<b>LPG020</b> 200 lm/ft	<b>LPG040</b> 400 lm/ft	<b>LPG060</b> 600 lm/ft
<b>LPG080</b> 800 lm/ft	<b>LPG100</b> 1000 lm/ft	<b>LPG120</b> 1200 lm/ft	<b>LPG140</b> 1400 lm/ft
<b>LPG165</b> 1650 lm/ft			

Consult website for available lumens/ft.  
All data shown based on UD1 diffuser.

## D. CRI

<b>CR80</b> CRI 80+	<b>CR90</b> CRI 90+
---------------------	---------------------

## E. CCT (DIRECT)

<b>CTA30</b> 3000K	<b>CTA35</b> 3500K	<b>CTA40</b> 4000K
--------------------	--------------------	--------------------

## F. CCT (INDIRECT)

<b>CTB00</b> Not required	<b>CTB30</b> 3000K	<b>CTB35</b> 3500K	<b>CTB40</b> 4000K
---------------------------	--------------------	--------------------	--------------------

## G. DIRECT DIFFUSER

<b>DD1</b> Asymmetric diffuser <sup>1</sup>	<b>DD2</b> Batwing diffuser	<b>DD3</b> Diffused light diffuser <sup>1</sup>
---	-----------------------------	---

<sup>1</sup> Recommended for use with Frosted louver only. When standing at the end view of the profile on the side where the power cord is installed, the asymmetric beam will aim to the right.

<sup>2</sup> High output diffuser, all data shown based on this diffuser.

## H. UPLIGHT DIFFUSER

<b>UDO</b> Not required	<b>UD1</b> Clear diffuser (Batwing distribution)	<b>UD3</b> Asymmetric diffuser <sup>1</sup>
-------------------------	--	---

<sup>1</sup> Available up to 1200 lm/ft.

## I. BLACKOUT PLATE

<b>UB00</b> Not required	<b>UB_ _</b> Blackout plate <sup>1</sup>
--------------------------	--

<sup>1</sup> Available on a per foot basis. May be required to prevent lighting up duct work in a loft type application.

## J. VOLTAGE

<b>V1</b> 120/277V	<b>V2</b> 240V <sup>1</sup>	<b>V3</b> 347V <sup>2</sup>	<b>V4</b> Low Voltage <sup>3</sup>
--------------------	-----------------------------	-----------------------------	------------------------------------

<sup>1</sup> Not available in North America.

<sup>2</sup> Only available with DA01 dimming.

<sup>3</sup> Only available with DA45 dimming.

# BLOCK SYSTEMS™ - SUSPENDED

## K. DIMMING

**DA01** 0-10V Dimming 1.0%  
**DA30** DSI/switchDim<sup>2</sup>

**DA02** 0-10V Dimming 0.1%<sup>1</sup>  
**DA45** PoE<sup>3</sup>

**DA20** DALI Dimming 0.1%<sup>1</sup>

**DA21** DALI Dimming 1.0%<sup>1</sup>

<sup>1</sup> Not available with 347V.

<sup>2</sup> Not available in North America.

<sup>3</sup> Only available with V4.

## L. CEILING TYPE

**G1** Grid ceiling<sup>1</sup>

**H1** Hard ceiling<sup>2</sup>

The cost for the canopies, power cables, connections mechanisms and endcaps for the fixture has been added to these items.

<sup>1</sup> Combo kit provided includes installation to T-bar and through tile mount.

<sup>2</sup> Designed for drywall ceilings.

## M. SUSPENSION

**HLA03** 3ft cable suspension

**HLA06** 6ft cable suspension

**HLA09** 9ft cable suspension

## N. FIXTURE FINISH

**FA01** White

**FA02** Black Metallic - Textured

**FA20** Silver Metallic - Textured

**FA25** Gold Metallic - Textured

**FA27** Wood grain - Light Cherry<sup>1</sup>

**FA28** Wood grain - Dark Walnut<sup>1</sup>

**FA44** Midnight Blue Metallic - Textured

**FA45** Copper Metallic

**FA46** Charcoal Metallic - Textured

**FA47** Bronze Metallic - Textured

**FA52** Champagne Metallic

**FA53** Red Metallic - Textured

<sup>1</sup> Longer than normal lead times may apply, consult factory.

## O. CANOPY FINISH

**CF01** White

**CF02** Black Metallic - Textured

**CF20** Silver Metallic - Textured

**CF25** Gold Metallic - Textured

**CF44** Midnight Blue Metallic - Textured

**CF45** Copper Metallic

**CF46** Charcoal Metallic - Textured

**CF47** Bronze Metallic - Textured

**CF52** Champagne Metallic

**CF53** Red Metallic - Textured

## P. EMERGENCY

**E0** Not required

**E1** Emergency system - Integral

**E3** Emergency generator circuit<sup>1</sup>

<sup>1</sup> A drawing will be required at time of ordering to determine the required number and location of the emergency sections or generator circuits. <sup>1</sup> Available upon request, consult factory for details. Not available with 347V.

## Q. CIRCUITS

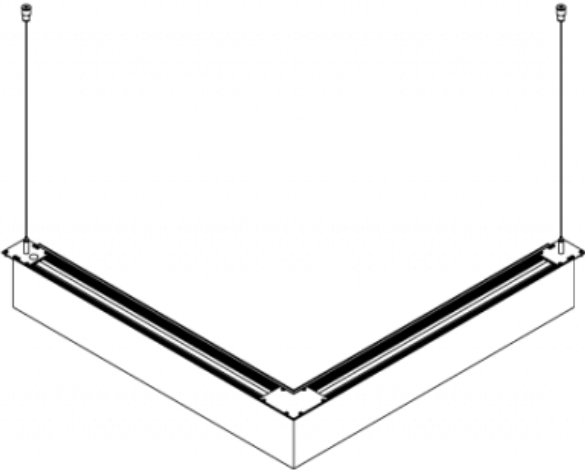
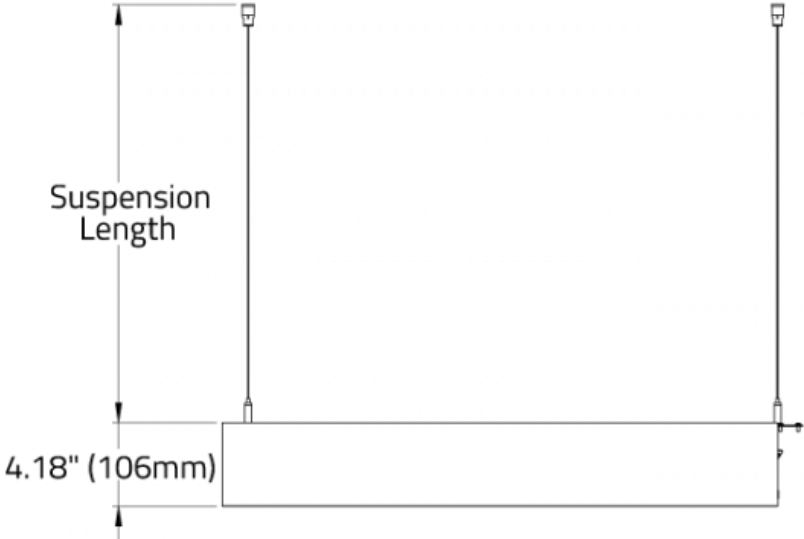
**CS1** Single circuit

**CS2** Dual circuit<sup>1</sup>

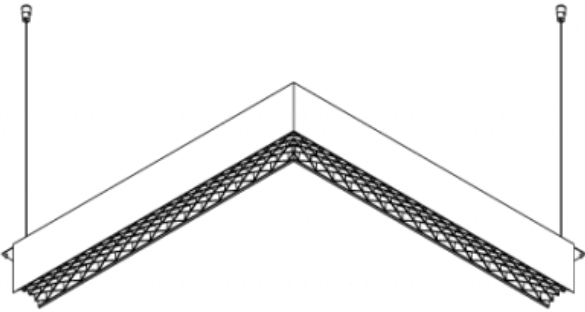
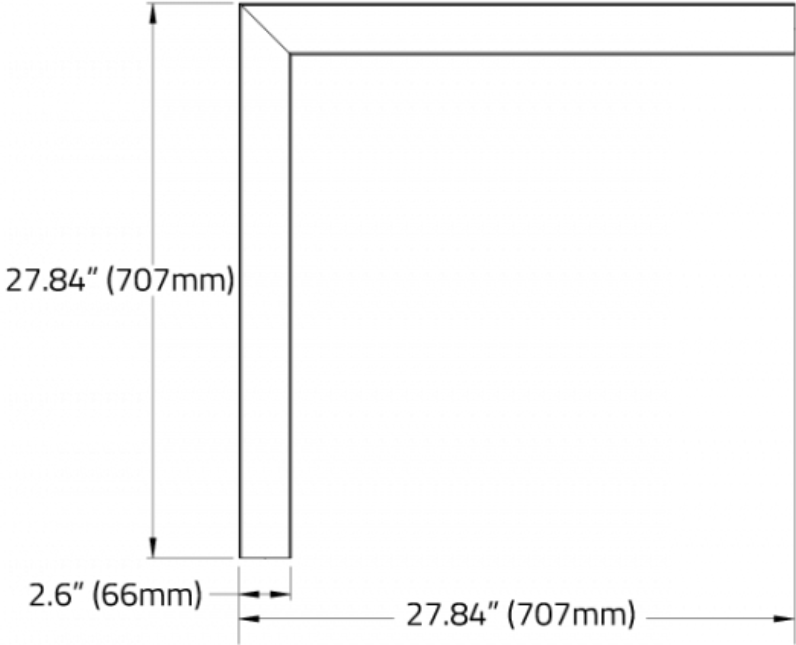
## R. SENSORS

# BLOCK SYSTEMS™ - SUSPENDED

## DIMENSIONAL DIAGRAMS



ISOMETRIC TOP VIEW



ISOMETRIC BOTTOM VIEW