

# BLOCK™



Project Name:

Fixture Type:

Fixture Code:

Quantities:

## A. LUMINAIRE TYPE

**BLKP** Pendant

**BLKC** Ceiling

**BLKW** Wall

**BLKR** Recessed

## B. DIRECTION

**DT1** Direct

**DT2** Direct/Indirect

**DT3** Indirect

One power cord for every 50 linear ft.

## C. APERTURE

**PW01** 1.5"

**PW02** 2.5"

**PW03** 3.5"

## D. RUN TYPE

**TR01** Straight

**TR02** L shape <sup>1</sup>

**TR03** U shape <sup>1</sup>

**TR04** Quad <sup>1</sup>

<sup>1</sup> Consult factory if L shape, U shape, or Quad is required with Wall mount.

\* There is one power cable for a max overall length is 50ft, beyond that extra power cables are required. Consult factory.

## E. LENGTH - A

**SFA** \_ \_ \_ \_

The minimum length to order is 4ft and orders are to be in 2ft increments. For 6 inch increments, consult factory.

If Direct/Indirect is required, 4ft is unavailable with L-shape and U-shape, and 6ft is unavailable with Quad.

Examples:

4ft = SFA0400

10ft = SFA1000

50ft = SFA5000

## F. LENGTH - B

**SFB** \_ \_ \_ \_

The minimum length to order is 4ft and orders are to be in 2ft increments. For 6 inch increments, consult factory.

If Direct/Indirect is required, 4ft is unavailable with L-shape, and 6ft is unavailable with U-Shape and Quad.

Examples:

4ft = SFB0400

10ft = SFB1000

50ft = SFB5000

## G. LENGTH - C

**SFC** \_ \_ \_ \_

The minimum length to order is 4ft and orders are to be in 2ft increments. For 6 inch increments, consult factory.

If Direct/Indirect is required, the minimum length to order is 6ft.

Examples:

4ft = SFC0400

10ft = SFC1000

50ft = SFC5000

## H. MAX LENGTH PER SECTION

<b>SL04</b> 4ft	<b>SL06</b> 6ft	<b>SL08</b> 8ft	<b>SL10</b> 10ft
<b>SL12</b> 12ft			

You can select the preferred maximum length per segment, to account for transportation and building constraints. Example: If a 40ft run is required and SL12 (12ft) is selected, we would provide 4 10ft segments. For special requirements, please contact sales@betacalco.com.

## I. END CAP PROFILE

<b>EP00</b> Not required	<b>EP01</b> Flat	<b>EP02</b> Curved
--------------------------	------------------	--------------------

## J. LM/FT (DIRECT)

<b>LPF000</b> Not required	<b>LPF020</b> 200 lm/ft	<b>LPF040</b> 400 lm/ft	<b>LPF060</b> 600 lm/ft
<b>LPF080</b> 800 lm/ft	<b>LPF100</b> 1000 lm/ft	<b>LPF120</b> 1200 lm/ft	<b>LPF140</b> 1400 lm/ft

## K. LM/FT (INDIRECT)

<b>LPG000</b> Not required	<b>LPG020</b> 200 lm/ft	<b>LPG040</b> 400 lm/ft	<b>LPG060</b> 600 lm/ft
<b>LPG080</b> 800 lm/ft	<b>LPG100</b> 1000 lm/ft	<b>LPG120</b> 1200 lm/ft	<b>LPG140</b> 1400 lm/ft <sup>1</sup>
<b>LPG165</b> 1650 lm/ft <sup>1</sup>			

<sup>1</sup> Available with UD1 (clear diffuser) only.

## L. CRI

<b>CR80</b> CRI 80+	<b>CR90</b> CRI 90+
---------------------	---------------------

## M. CCT DIRECT

<b>CTA00</b> Not required	<b>CTA27</b> 2700K <sup>1</sup>	<b>CTA30</b> 3000K	<b>CTA35</b> 3500K
<b>CTA40</b> 4000K			

<sup>1</sup> Longer lead times may apply, consult factory.

\* Tunable White and RGBW available, consult factory.

## N. CCT INDIRECT

<b>CTB00</b> Not required	<b>CTB27</b> 2700K <sup>1</sup>	<b>CTB30</b> 3000K	<b>CTB35</b> 3500K
<b>CTB40</b> 4000K			

<sup>1</sup> Longer lead times may apply, consult factory.

\* Tunable White and RGBW available, consult factory.

## O. DIRECT DIFFUSER

<b>DD0</b> Not required	<b>DD1</b> Asymmetric <sup>1</sup>	<b>DD3</b> Diffused	<b>DD5</b> Widespread
<b>DS1</b> Asymmetric - Seamless <sup>1 2</sup>	<b>DS3</b> Diffused - Seamless <sup>2</sup>	<b>DS5</b> Widespread - Seamless <sup>2</sup>	

<sup>1</sup> When standing at the end view of the profile on the side where the power cord is installed, the asymmetric beam will aim to the right.

<sup>2</sup> The roll-out lens is applicable to the DD3 option only with a max length of 100ft.

Fixed Length available upon request.

## P. INDIRECT DIFFUSER

<b>UD0</b> Not required	<b>UD1</b> Batwing	<b>UD2</b> Diffused	<b>UD3</b> Asymmetric <sup>1</sup>
-------------------------	--------------------	---------------------	------------------------------------

<sup>1</sup> Available up to 1200 lm/ft. The asymmetric distribution will be directed away from the wall.

**Q. UPLIGHT BLACKOUT PLATE**

**UB00** Not required                      **UB\_ \_** Blackout plate <sup>1</sup>

<sup>1</sup> Available on a per foot basis. May be required to prevent lighting up of duct work in loft type applications.

**R. VOLTAGE**

**V1** 120/277V                      **V2** 240V <sup>1</sup>                      **V3** 347V <sup>2</sup>                      **V4** Low Voltage <sup>3</sup>

<sup>1</sup> Not available in North America.

<sup>2</sup> Only available with DA01 dimming.

<sup>3</sup> Only available with DA45 dimming.

**S. DIMMING**

**DA01** 0-10V Dimming 1.0%                      **DA02** 0-10V Dimming 0.1% <sup>1</sup>                      **DA20** DALI Dimming 0.1% <sup>1</sup>                      **DA21** DALI Dimming 1.0% <sup>1</sup>  
**DA30** DSI/switchDim <sup>2</sup>                      **DA45** PoE <sup>3</sup>

<sup>1</sup> Not available with V3.

<sup>2</sup> Not available in North America.

<sup>3</sup> Only available with V4.

**T. CEILING TYPE**

**G0** Not required                      **G1** Grid ceiling <sup>1</sup>                      **H1** Hard ceiling <sup>2</sup>

The cost for the canopies, power cables, connections mechanisms and endcaps for the fixture has been added to these items.

<sup>1</sup> Combo kit provided includes installation to T-bar and through tile mount.

<sup>2</sup> Designed for drywall ceilings.

**U. CEILING TRIM**

**RT0** Not required                      **RT1** Tegular T-bar <sup>1 2</sup>                      **RT2** Lay-In T-Bar <sup>1</sup>                      **RT3** Trimless <sup>1 4</sup>  
**RT4** Trim <sup>1 4</sup>

<sup>1</sup> For Recessed luminaires only.

<sup>2</sup> Fixture designed to fit into a 9/16" or 15/16" standard tegular grid T-bar and through tile mount. Dimensions are nominal for grid ceiling fixtures. All fixture metalwork is white.

<sup>3</sup> Fixture designed to fit into a 9/16" or 15/16" standard grid T-bar and through tile mount. Dimensions are nominal for grid ceiling fixtures. All fixture metalwork is white.

<sup>4</sup> Fixture designed for drywall ceilings. All fixture metalwork can be either white or black.

**V. SUSPENSION**

**HLA00** Not required                      **HLA03** 3ft cable suspension                      **HLA06** 6ft cable suspension                      **HLA09** 9ft cable suspension

\* Note: Special order available on lengths over 13ft and may be subject to longer lead times, consult factory.

**W. FIXTURE FINISH**

**FA01** White - Textured                      **FA02** Black Metallic - Textured                      **FA20** Silver Metallic - Textured                      **FA25** Gold Metallic - Textured  
**FA27** Wood grain - Light Cherry <sup>1</sup>                      **FA28** Wood grain - Dark Walnut <sup>1</sup>                      **FA44** Midnight Blue Metallic - Textured                      **FA45** Copper Metallic  
**FA46** Charcoal Metallic - Textured                      **FA47** Bronze Metallic - Textured                      **FA52** Champagne Metallic                      **FA53** Red Metallic - Textured

<sup>1</sup> Longer than normal lead times may apply, consult factory.

## X. CANOPY FINISH

**CF00** Not required

**CF25** Gold Metallic - Textured

**CF47** Bronze Metallic - Textured

**CF01** White - Textured

**CF44** Midnight Blue Metallic - Textured

**CF52** Champagne Metallic

**CF02** Black Metallic - Textured

**CF45** Copper Metallic

**CF53** Red Metallic - Textured

**CF20** Silver Metallic - Textured

**CF46** Charcoal Metallic - Textured

## Y. QUANTITY OF EMERGENCY SECTIONS

**E0** Not required

**E1** Emergency system - Integral <sup>1</sup>

**E3** Emergency generated circuit - Remote <sup>1</sup>

---

<sup>1</sup> Specify quantity of emergency sections or emergency generator circuits required based off total length of run. <sup>1</sup> Available upon request, consult factory for details. Not available with 347V.

Note: a drawing will be required at time of ordering to determine the required location of the emergency sections or generator circuits.

## Z. CIRCUITS

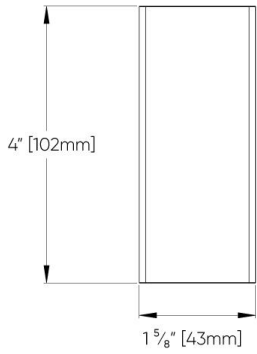
**CS1** Single circuit

**CS2** Dual circuit <sup>1</sup>

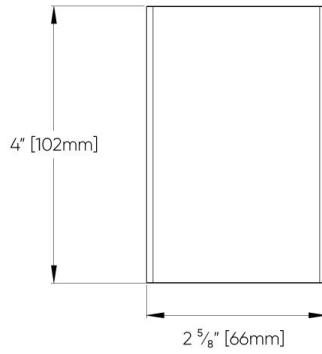
## [. SENSORS

### Block 1.5/2.5/3.5" - Dimensional Diagrams

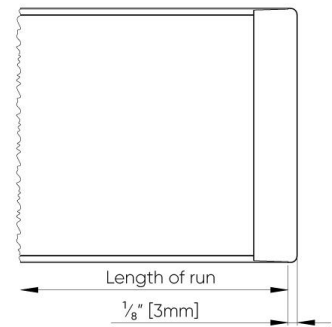
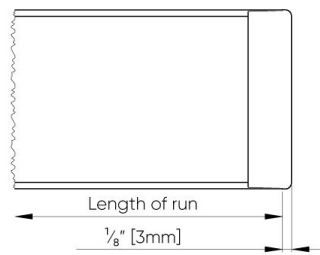
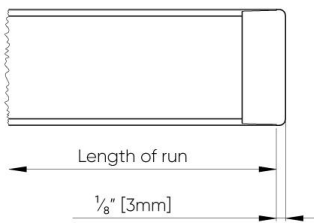
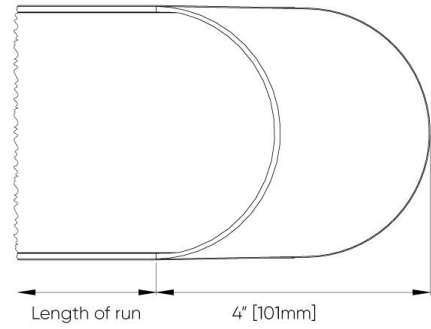
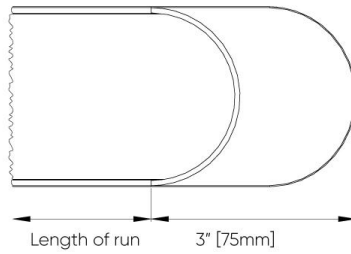
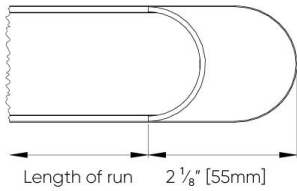
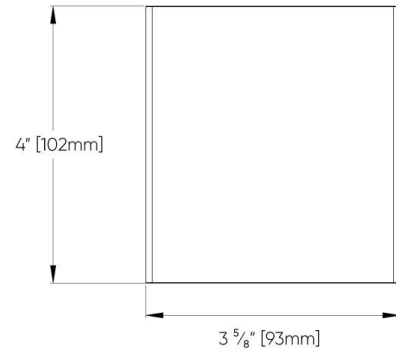
**BLOCK 1.5**



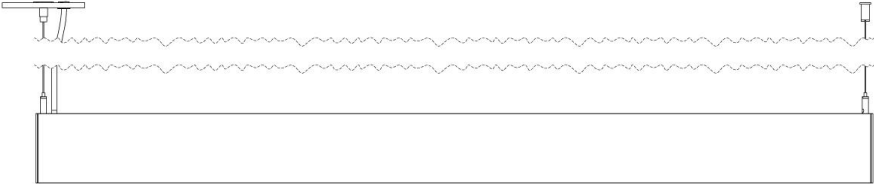
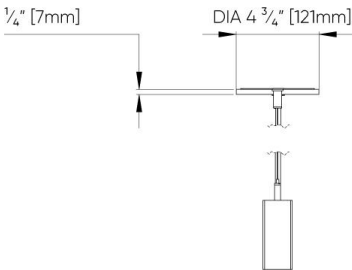
**BLOCK 2.5**



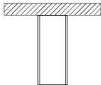
**BLOCK 3.5**



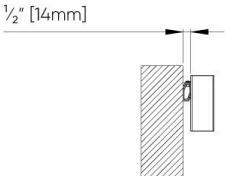
PENDANT



SURFACE

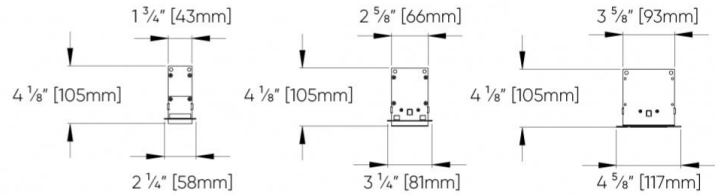
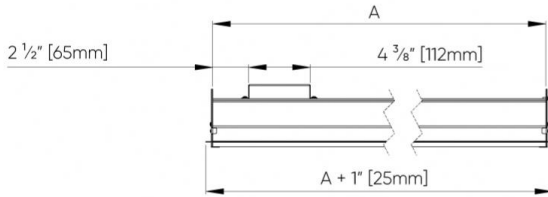


WALL

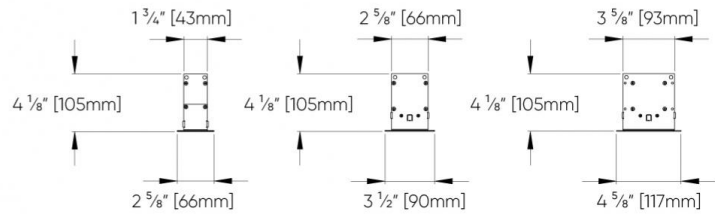
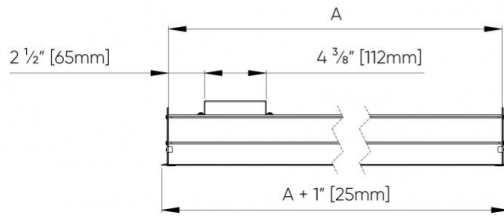


## RECESSED - Grid Ceiling

### Tegular ceiling



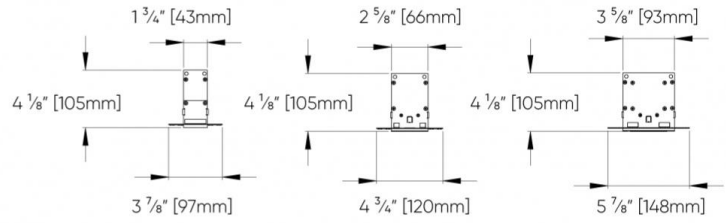
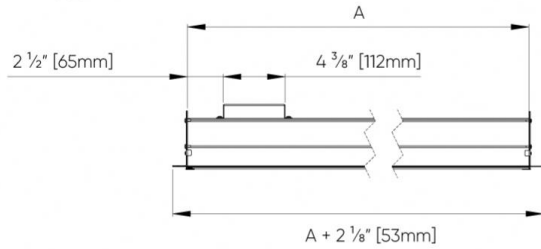
### T-bar ceiling



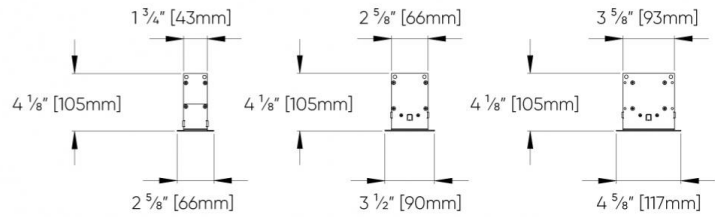
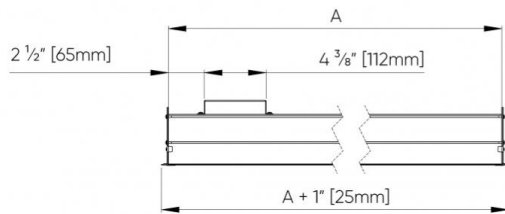
GRID CEILING	
Max Length (Per Section)	A
4ft	46 3/4" [1186mm]
6ft	70 3/4" [1796mm]
8ft	94 3/4" [2405mm]
10ft	118 3/4" [3015mm]
12ft	142 3/4" [3625mm]

## RECESSED - Hard Ceiling

### Trimless



### Trim

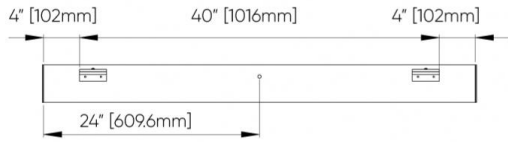


HARD CEILING	
Max Length (Per Section)	A
4ft	48" [1219mm]
6ft	72" [1829mm]
8ft	96" [2438mm]
10ft	120" [3048mm]
12ft	144" [3658mm]

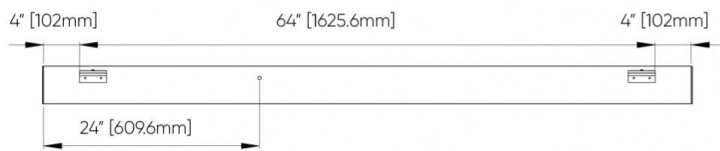


## WALL MOUNT CONFIGURATIONS

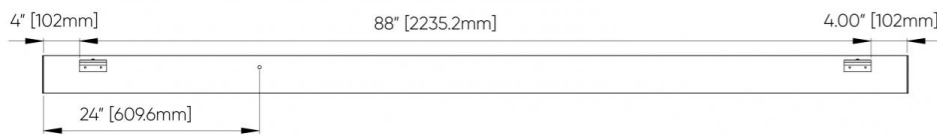
### 4FT



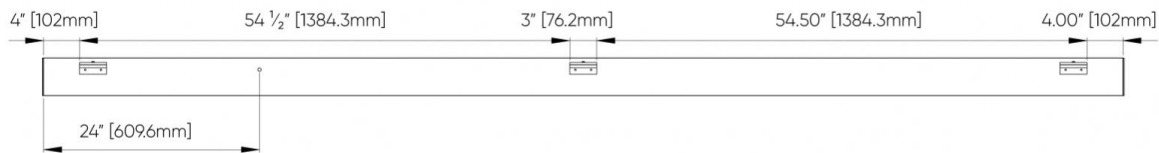
### 6FT



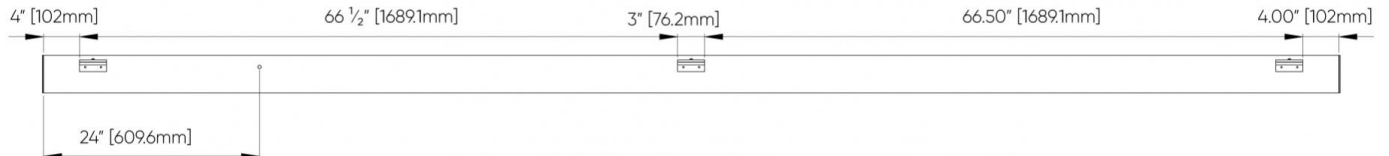
### 8FT



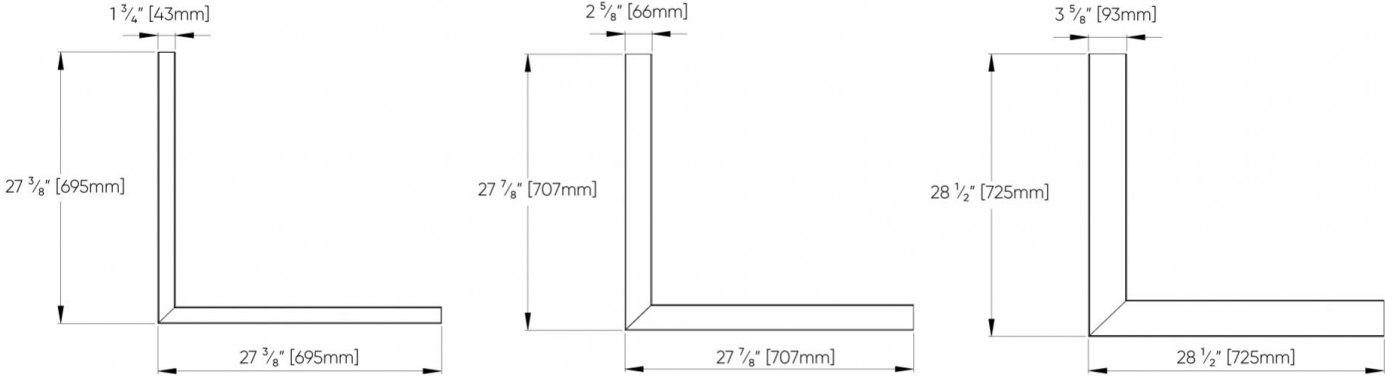
### 10FT



### 12FT



### Block 1.5/2.5/3.5" Systems - Dimensional Diagrams



### Run Type

