

BOOK™ NON ILLUMINATED - REGRESS

Project Name:

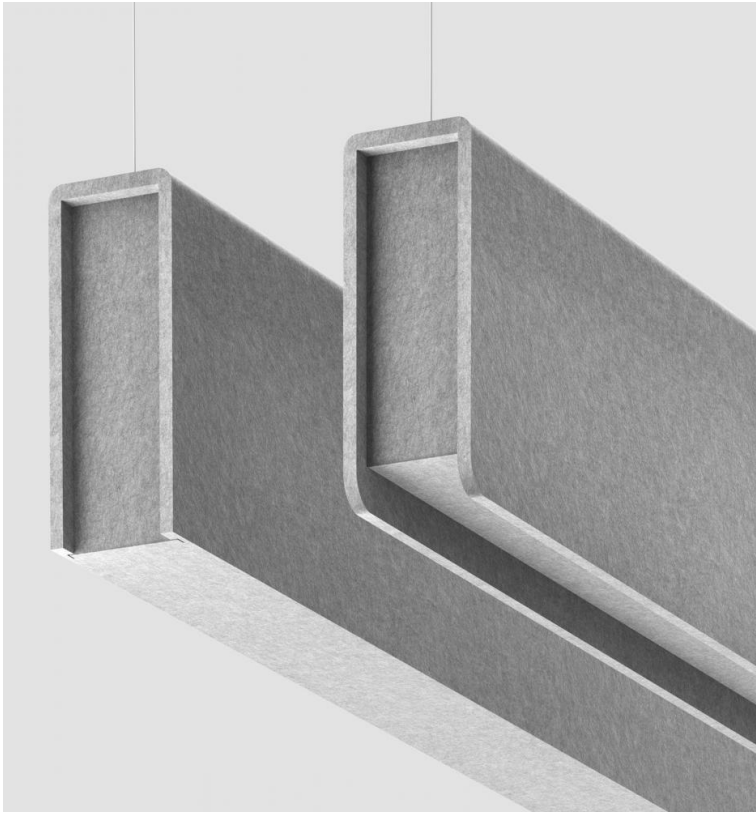
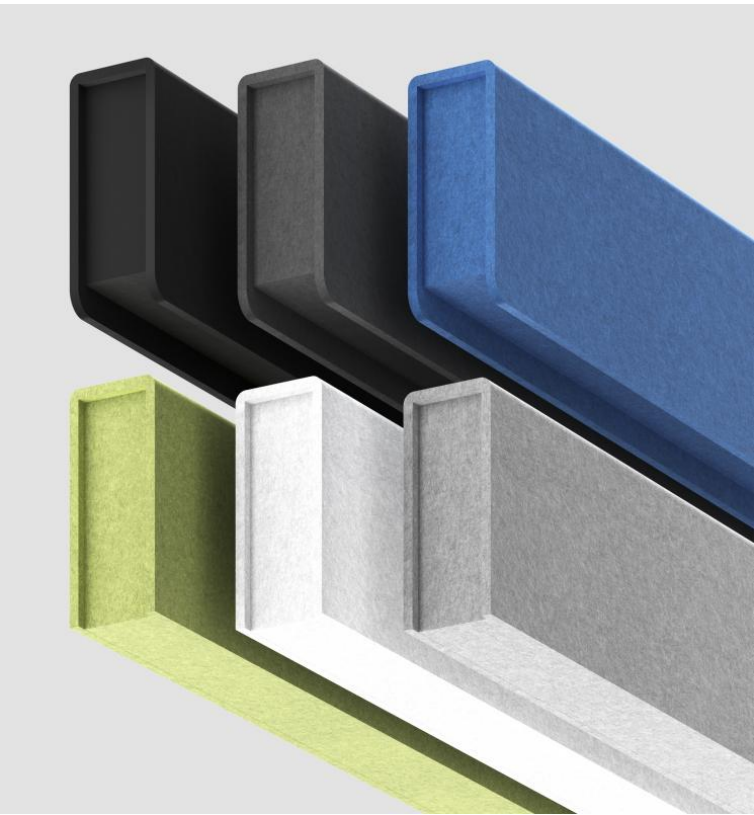
Fixture Type:

Fixture Code:

Quantities:



BOOK™ NON ILLUMINATED - REGRESS



BOOK™ NON ILLUMINATED - REGRESS

Decrease sound reverberation with sound baffles that match the form factor of the **BOOK SERIES**. Our classic linear profile is wrapped in sound-absorbing material with either a regressed cover to match the Book acoustic luminaire or a flush cover to match Book II. Non-illuminated panels are effective for controlling noise and maintaining an open office design without the need for additional walls.

GENERAL SPECIFICATION

Finish

Canopy - Powder coated white.

Suspension

Steel cables.

Acoustic Panels NRC Rating

0.80.

Acoustic Panels Class A Fire Rating

ASTM E-84 material.

Acoustic Panels Material

100% recycled polyester fiber (PET).

Acoustic Panels Thickness

12mm (0.5").

Approvals

Damp Rated.

Design

US Pat. No. D994,186

Designed by

Mirko Rotondi

MOUNTING & OPTICS



Acoustic

BOOK™ NON ILLUMINATED - REGRESS

HOW TO ORDER

A. LUMINAIRE

BKRPOP Book - Regress

BKFPOP Book II - Flush

B. LENGTH OF RUN

SFA _ _ _ _

Order in 2ft increments starting at 4ft.

C. MAX LENGTH PER SECTION

SL04 4ft

SL06 6ft

SL08 8ft

SL10 10ft

SL12 12ft

D. CEILING TYPE

H1 Hard ceiling ²

G1 Grid ceiling ¹

The cost for the canopies, connections mechanisms and endcaps for the fixture has been added to these items.

¹ Combo kit provided includes installation to T-bar and through tile mount.

² Designed for drywall ceilings.

E. SUSPENSION

HLA03 3ft cable suspension

HLA06 6ft cable suspension

HLA09 9ft cable suspension

* Note: Special order available on lengths over 13ft and may be subject to longer lead times, consult factory.

F. ACOUSTIC PANEL COLOR

AP04 White

AP13 Apple Green

AP22 Blue

AP11 Light Gray

AP26 Sesame Gray

AP27 Black

BOOK™ NON ILLUMINATED - REGRESS

TECHNICAL DATA

LUMINAIRE

Code	BKRPOP	BKFPOP
Style	Book - Regress	Book II - Flush

ACOUSTIC PANEL COLOR



White



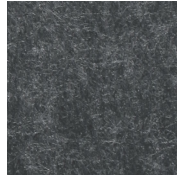
Apple Green



Blue



Light Gray



Sesame Gray



Black

APPROVALS



DAMP
LOCATION



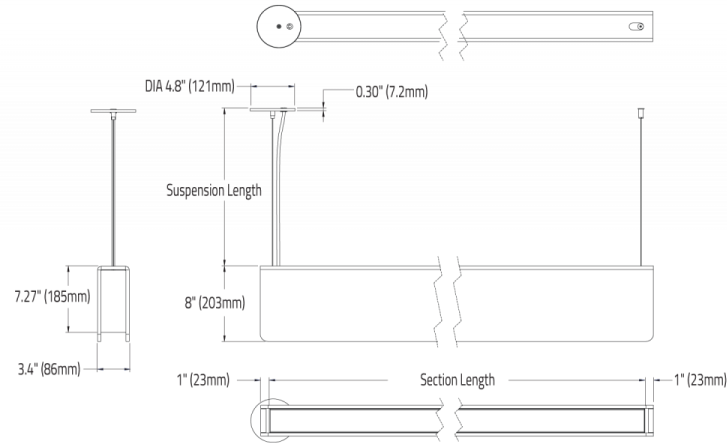
IP20



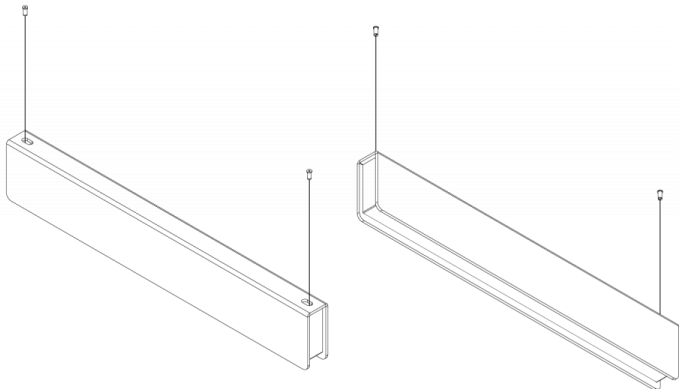
BOOK™ NON ILLUMINATED - REGRESS

DIMENSIONAL DIAGRAMS

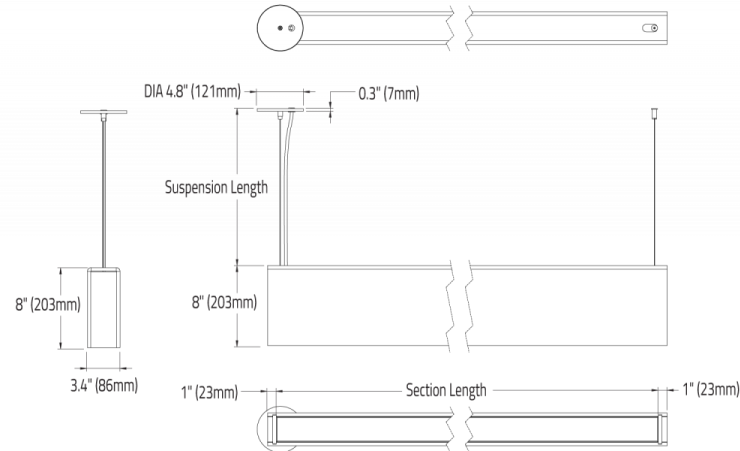
BOOK NON ILLUMINATED - PROFILE



BOOK NON ILLUMINATED - ISOMETRIC VIEWS



BOOK II NON ILLUMINATED - PROFILE



BOOK II NON ILLUMINATED - ISOMETRIC VIEWS

