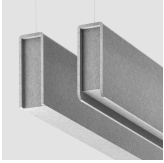


BOOK™ NON ILLUMINATED - REGRESS



Project Name:

Fixture Type:

Fixture Code:

Quantities:

A. LUMINAIRE

BKRPOP Book - Regress

BKFPOP Book II - Flush

B. LENGTH OF RUN

SFA _ _ _ _

Order in 2ft increments starting at 4ft.

C. MAX LENGTH PER SECTION

SL04 4ft

SL06 6ft

SL08 8ft

SL10 10ft

SL12 12ft

D. CEILING TYPE

H1 Hard ceiling ²

G1 Grid ceiling ¹

The cost for the canopies, connections mechanisms and endcaps for the fixture has been added to these items.

¹ Combo kit provided includes installation to T-bar and through tile mount.

² Designed for drywall ceilings.

E. SUSPENSION

HLA03 3ft cable suspension

HLA06 6ft cable suspension

HLA09 9ft cable suspension

* Note: Special order available on lengths over 13ft and may be subject to longer lead times, consult factory.

F. ACOUSTIC PANEL COLOR

AP04 White

AP13 Apple Green

AP22 Blue

AP11 Light Gray

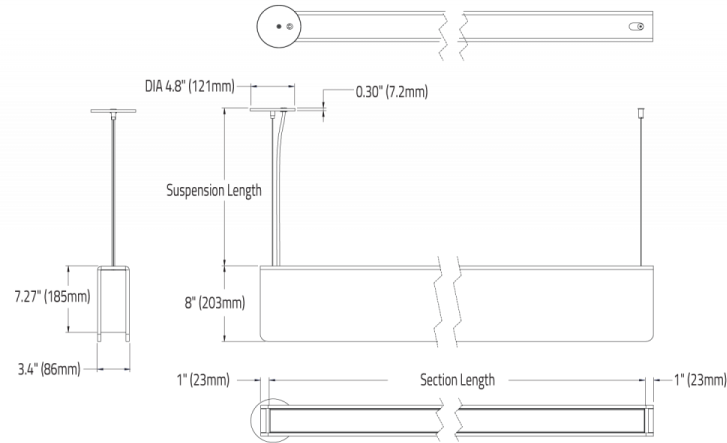
AP26 Sesame Gray

AP27 Black

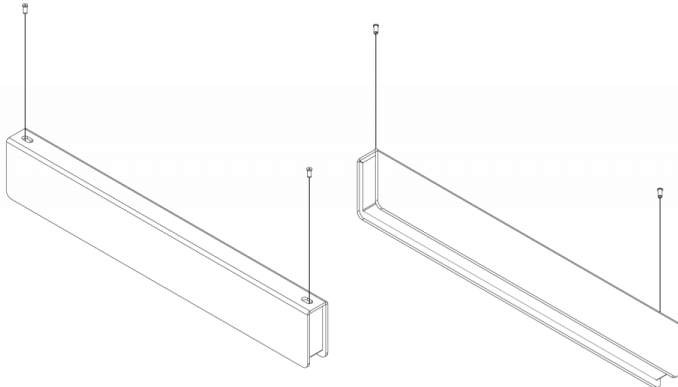
BOOK™ NON ILLUMINATED - REGRESS

DIMENSIONAL DIAGRAMS

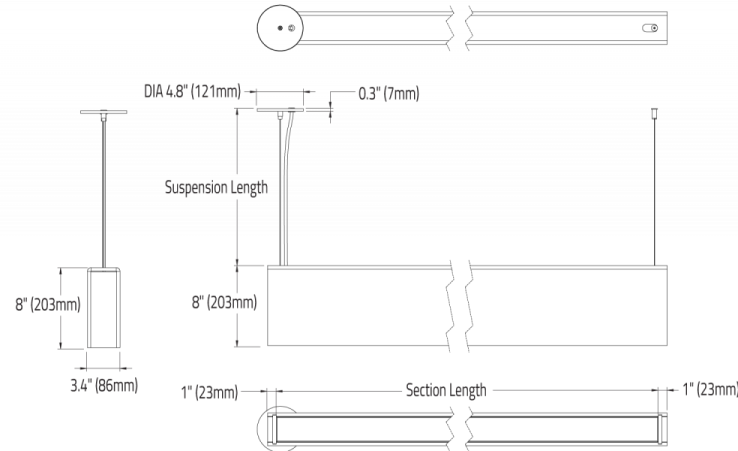
BOOK NON ILLUMINATED - PROFILE



BOOK NON ILLUMINATED - ISOMETRIC VIEWS



BOOK II NON ILLUMINATED - PROFILE



BOOK II NON ILLUMINATED - ISOMETRIC VIEWS

