

BOOK™ - REGRESS

Project Name:

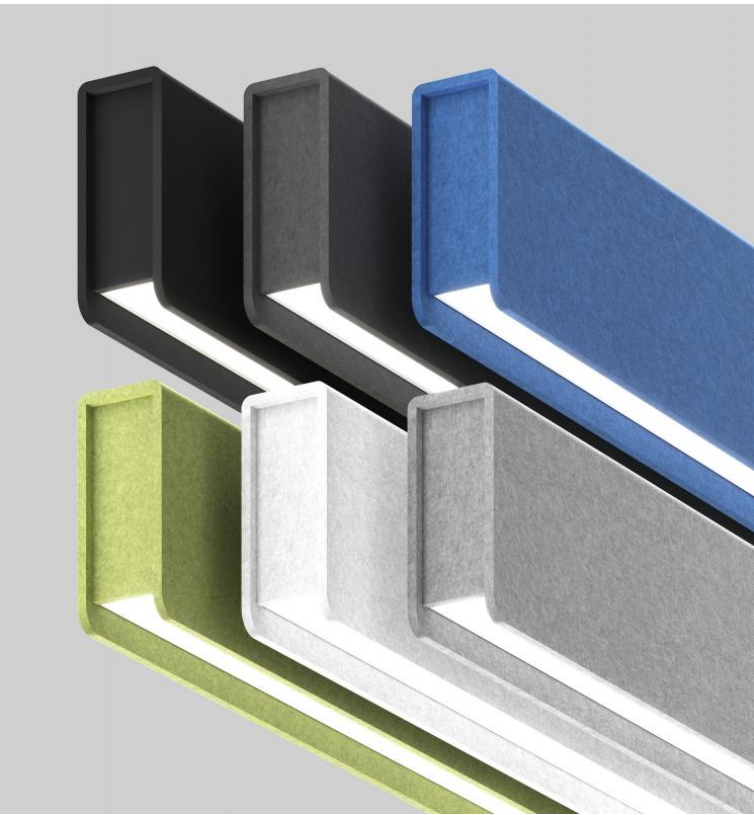
Fixture Type:

Fixture Code:

Quantities:



BOOK™ - REGRESS



BOOK™ - REGRESS

BOOK fortifies our acoustic collection of geometric shapes with a straight line. Our classic linear profile is wrapped in sound absorbing material fluidly designed with rounded edges and a regressed lens that sums aesthetic, visual, and sound comfort. Suitable for spaces that require noise and glare reduction such as libraries, collaboration rooms, and restaurants.

GENERAL SPECIFICATION

Body

Aluminum.

Suspension

Steel cables.

Drivers

HPF electronic drivers for 120-277V, 347 (EU-240V). The driver is integral to the fixture housing.

PoE

Can be integrated into your data network via Power over Ethernet (PoE) connectivity.

Integral Emergency system

Emergency option provides a 1.5 hour (3 hours for EU) emergency lighting facility. The self contained system includes the inverter module, NiCad batteries, LED charge indicator and test switch (NA only). Not available with a 347V supply.

Acoustic Panels Material

100% recycled polyester fiber (PET).

Acoustic Panels Thickness

12mm (0.5").

Sensors

Compatible with Avi-On, Casambi, Enlighted, Lutron Vive, nLight, NX Lighting Controls, Osram, Philips, and others. Consult factory

Reported L70 @25°C (77°F)

> 60,000 hrs @ 2000 lumens/ft (6000 lumens/m)

Tunable White

Tunable white available, consult factory.

Designed by

Mirko Rotondi

Finish

Powder coated.

Power cable

Silver braided.

Diffuser

Opal acrylic, single lens up to 12ft.

BIOS

For circadian lighting, consult factory.

Acoustic Panels NRC Rating

0.80.

Acoustic Panels Class A Fire Rating

ASTM E-84 material.

Approvals

Damp Rated.

Delivered lumens

Delivered lumens & LPW based on 4000K CRI 90+.

Mechanical

Luminaires mount directly over J box (by others).

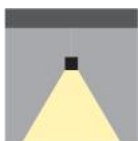
Estimated L70 @25°C (77°F)

> 165,000 hrs @ 2000 lumens/ft (6000 lumens/m)

Design

US Pat. No. D994,186

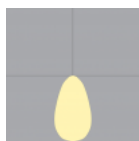
MOUNTING & OPTICS



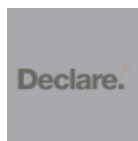
Suspended Direct



Acoustic



Direct DD3



Declare



PoE



BOOK™ - REGRESS

HOW TO ORDER

A. LUMINAIRE

BKRP1P Direct

One power cord for every 50 linear feet.

B. LENGTH OF RUN

SFA _ _ _ _

Order in 2ft increments starting at 4ft.

C. MAX LENGTH PER SECTION

SL04 4ft	SL06 6ft	SL08 8ft	SL10 10ft
SL12 12ft			

You can select the preferred maximum length per segment, to account for transportation and building constraints. Example: If a 40ft run is required and SL12 (12ft) is selected, we would provide 4 10ft segments. For special requirements, please contact sales@betacalco.com.

D. LM/FT

LPF020 200 lm/ft	LPF040 400 lm/ft	LPF060 600 lm/ft	LPF080 800 lm/ft
LPF100 1000 lm/ft			

E. CRI

CR90 CRI 90+

F. CCT

CTA30 3000K	CTA35 3500K	CTA40 4000K
--------------------	--------------------	--------------------

G. DIFFUSER

DD3 Diffused light diffuser

H. VOLTAGE

V1 120/277V	V2 240V ¹	V3 347V ²	V4 Low Voltage ³
--------------------	-----------------------------	-----------------------------	------------------------------------

¹ Not available in North America.

² Only available with DA01 dimming.

³ Only available with DA45 dimming.

I. DIMMING

DA01 0-10V Dimming 1.0%	DA02 0-10V Dimming 0.1% ¹	DA20 DALI Dimming 0.1% ¹	DA21 DALI Dimming 1.0% ¹
DA30 DSI/switchDim ²	DA45 PoE ³		

¹ Not available with V3.

² Not available in North America.

³ Only available with V4.

BOOK™ - REGRESS

J. CEILING TYPE

H1 Hard ceiling ²

G1 Grid ceiling ¹

The cost for the canopies, power cables, connections mechanisms and endcaps for the fixture has been added to these items.

¹ Combo kit provided includes installation to T-bar and through tile mount.

² Designed for drywall ceilings.

K. SUSPENSION

HLA03 3ft cable suspension

HLA06 6ft cable suspension

HLA09 9ft cable suspension

* Note: Special order available on lengths over 13ft and may be subject to longer lead times, consult factory.

L. ACOUSTIC PANEL COLOR

AP04 White

AP13 Apple Green

AP22 Blue

AP11 Light Gray

AP26 Sesame Gray

AP27 Black

Volume Discounts are available on all acoustic products, contact the factory for a quote.

Note: For accompanying non-illuminating acoustic panels see our Acoustic Circles, Quads and Triangles spec pages.

Other finishes available. Consult factory.

M. EMERGENCY

E0 Not required

E1 Emergency system - Integral

E3 Emergency generated circuit - Remote ¹

¹ Specify quantity of emergency sections or emergency generator circuits required based off total length of run. Not available with 347V.

Note: a drawing will be required at time of ordering to determine the required location of the emergency sections or generator circuits.

N. SENSORS



BOOK™ - REGRESS

TECHNICAL DATA

LUMINAIRE

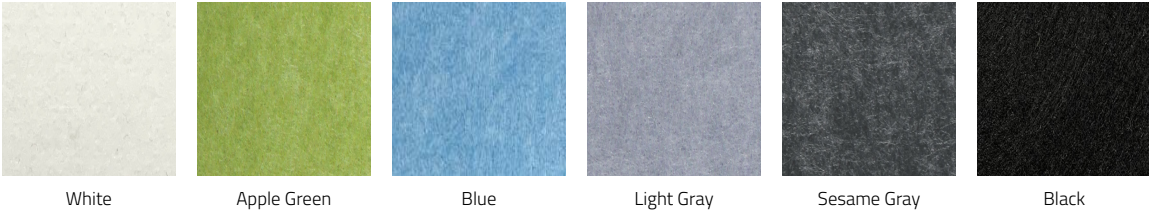
One power cord for every 50 linear feet.

Code	BKRP1P
Light Direction	Direct

LM/FT

Code	LPF020	LPF040	LPF060	LPF080	LPF100
Lms/Ft	200 lm/ft	400 lm/ft	600 lm/ft	800 lm/ft	1000 lm/ft
Watts/Ft	2	4	6	9	11
LPW	105	99	95	93	90

ACOUSTIC PANEL COLOR



Volume Discounts are available on all acoustic products, contact the factory for a quote.

Note: For accompanying non-illuminating acoustic panels see our Acoustic Circles, Quads and Triangles spec pages.

Other finishes available. Consult factory.

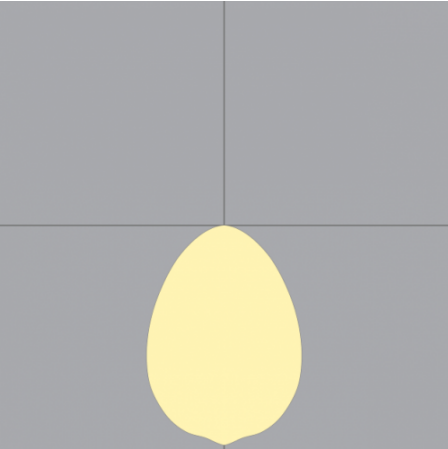
APPROVALS



BOOK™ - REGRESS

PERFORMANCE DATA

DIRECT DIFFUSED (DD3)



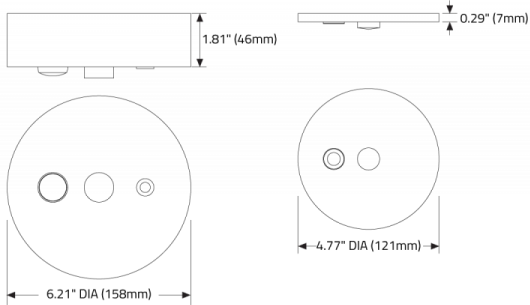
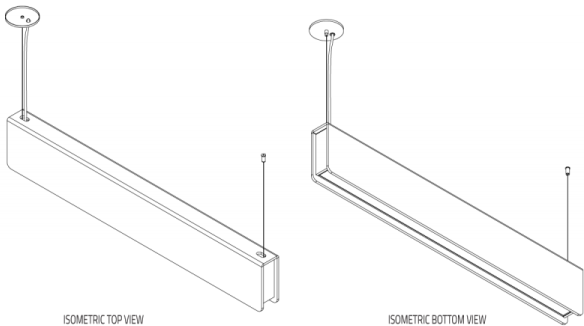
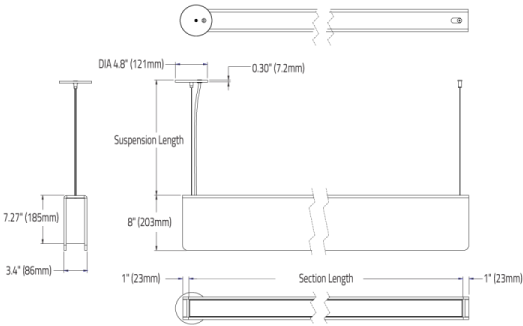
LUMEN/FT
1000
800
600
400
200

WATT/FT
11
9
6
4
2

LPW
90
93
95
99
105

BOOK™ - REGRESS

DIMENSIONAL DIAGRAMS



Canopy with Sensor

Standard Canopy