

BRIDGE™ - SUSPENDED

Project Name:

Fixture Type:

Fixture Code:

Quantities:



BRIDGE™ - SUSPENDED



BRIDGE™ - SUSPENDED

Inspired by the black wooden beams used in old-world bridges, **BRIDGE** adds a bold new element to architectural design. The U-shaped profile ties together interior structures and furnishings. Our innovative light emission design provides glare-free, even illumination with optional indirect light. For a cosmetic accent, the inside trim is available with 5 luxurious finishes. **BRIDGE** is ideal for designs with exposed architectural elements and for spaces that call for low-glare functional lighting.

GENERAL SPECIFICATION

Body

Aluminum.

Suspension

Steel cables.

Remote Emergency system

Emergency option provides a 1.5 hour (3hours for EU) emergency lighting facility. The remote system includes the inverter module, NiCad batteries and a remote wall/ceiling LED charge indicator and test switch. Maximum distance between wall/ceiling plate and luminaire is 15' (4.5m). Test switch fits a single gang box (not supplied).

Sensors

Compatible with Avi-On, Casambi, Enlighted, Lutron Vive, nLight, NX Lighting Controls, Osram, Philips, and others. Consult factory.

Mechanical

Luminaires mount directly over J box (by others).

Reported L70 @25°C (77°F)

> 108,000 hrs @ 1400 lumens/ft (4600 lumens/m)

Delivered lumens

Delivered lumens & LPW based on 4000K CRI 80+

Designed by

Serge Cornelissen.

Finish

Powder coated.

Power cable

Silver braided.

Drivers

Remote, HPF electronic drivers for 120-277V (EU-240V) dimming. Wire size 18 AWG - max distance (from fixture to drivers) 40' (12.2m), wire size 16 AWG - max distance 60' (18.3m), wire size 14 AWG - max distance 90' (27.4m). Drivers must be accessible after installation.

PoE

Can be integrated into your data network via Power over Ethernet (PoE) connectivity.

Diffuser

Opal acrylic.

Estimated L70 @25°C (77°F)

> 196,000 hrs @1400 lumens/ft (4600 lumens/m)

Approvals

Damp Rated.

Design

US Design Patent Pending.

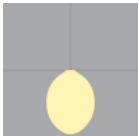
MOUNTING & OPTICS



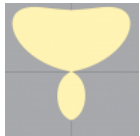
Suspended Direct



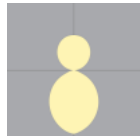
Suspended Direct/Indirect



Direct



Dir-Indirect DR1



Dir-Indirect DR3



Bios



PoE



BRIDGE™ - SUSPENDED

HOW TO ORDER

A. LUMINAIRE

BRID1P Direct

BRID2P Direct/Indirect

One power cord for every 50 linear feet.

B. LENGTH OF RUN

SFA _ _ _ _

Length of run is 4, 6, 8, 10 or 12ft only, not available as a continuous run.

C. LENGTH

SL04 4ft

SL06 6ft

SL08 8ft

SL10 10ft

SL12 12ft

D. DISTRIBUTION

DR0 Direct 100%

DR1 Direct 25% / Indirect 75%

DR3 Direct 60% / Indirect 40%

E. LUMENS/FT

LPF040 400 lm/ft¹

LPF060 600 lm/ft¹

LPF080 800 lm/ft^{1 2 3}

LPF100 1000 lm/ft^{2 3}

LPF120 1200 lm/ft^{2 3}

LPF140 1400 lm/ft^{2 3}

¹ 100% direct light

² 25% direct light / 75% indirect light

³ 60% direct light / 40% indirect light

F. CRI

CR80 CRI 80+

CR90 CRI 90+

G. CCT

CTA30 3000K

CTA35 3500K

CTA40 4000K

H. VOLTAGE

V1 120/277V

V2 240V¹

V3 347V²

V4 Low Voltage³

¹ Not available in North America.

² Only available with DA01 dimming.

³ Only available with DA45 dimming.

I. DIMMING

DA01 0-10V Dimming 1.0%

DA02 0-10V Dimming 0.1%¹

DA20 DALI Dimming 0.1%¹

DA21 DALI Dimming 1.0%¹

DA30 DSI/switchDim²

DA45 PoE³

¹ Not available with V3.

² Not available in North America.

³ Only available with V4.



BRIDGE™ - SUSPENDED

J. CEILING TYPE

H1 Hard ceiling ²

G1 Grid ceiling ¹

The cost for the canopies, power cables, connections mechanisms and endcaps for the fixture has been added to these items.

¹ Combo kit provided includes installation to T-bar and through tile mount. Available with remote box only.

² Designed for drywall ceilings.

K. DRIVER LOCATION

DT01 Recessed ceiling box with integrated canopy ¹

DT02 Remote Box ²

¹ Recessed ceiling box with integrated canopy is not available with 12ft and 1400 lm/ft.

² Grid ceiling available with Remote Box only.

L. SUSPENSION

HLA03 3ft cable suspension

HLA06 6ft cable suspension

HLA09 9ft cable suspension

* Note: Special order available on lengths over 9ft and may be subject to longer lead times, consult factory.

M. FIXTURE FINISH

FA01 White - Textured

FA02 Black Metallic - Textured

FA20 Silver Metallic - Textured

N. INSIDE TRIM

FB01 White

FB20 Silver Metallic Textured

FB27 Wood grain - Light Cherry ¹

FB28 Wood grain - Dark Walnut ¹

FB59 Gold Anodized

¹ Longer lead times may apply, consult factory.

O. CANOPY FINISH

CF01 White - Textured

CF02 Black Metallic - Textured

CF20 Silver Metallic - Textured

P. EMERGENCY (REMOTE ONLY)

E0 Not required

E2 Emergency system - Remote

Q. SENSORS

BRIDGE™ - SUSPENDED

FIXTURE FINISH



White - Textured Black Metallic - Textured Silver Metallic - Textured

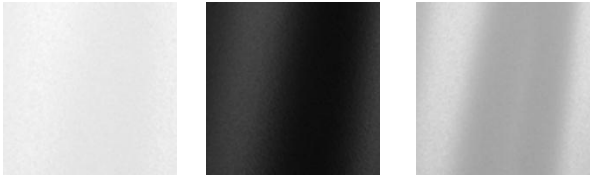
INSIDE TRIM



White Silver Metallic Textured Wood grain - Light Cherry¹ Wood grain - Dark Walnut¹ Gold Anodized

¹ Longer lead times may apply, consult factory.

CANOPY FINISH



White - Textured Black Metallic - Textured Silver Metallic - Textured

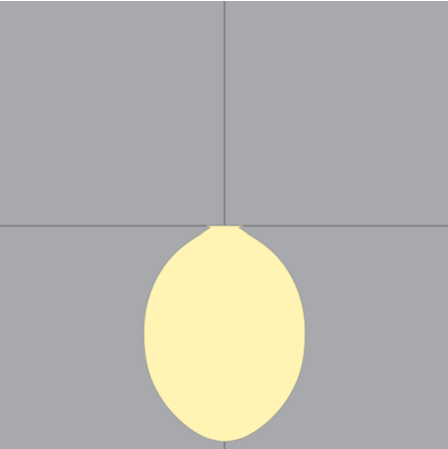
APPROVALS



BRIDGE™ - SUSPENDED

PERFORMANCE DATA

DIRECT DRO

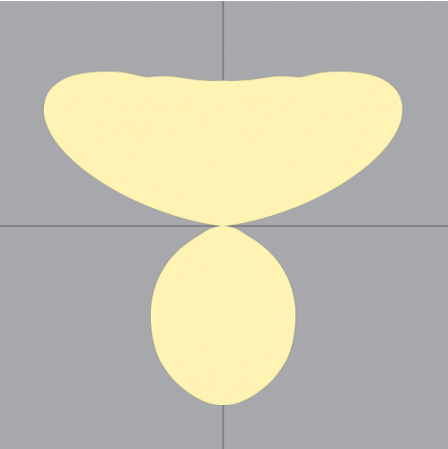


LUMEN/FT
800
600
400

WATT/FT
7
5
4

LPW
117
120
122

DIRECT/INDIRECT DR1

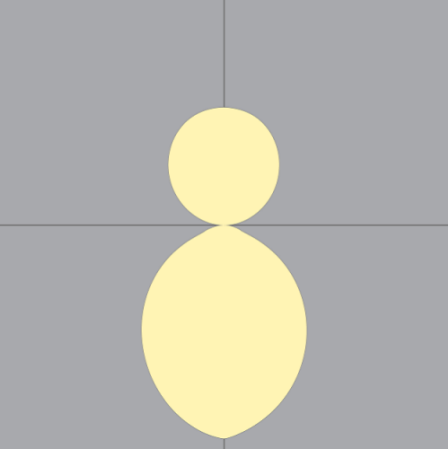


LUMEN/FT
1400
1200
1000
800

WATT/FT
14
12
10
8

LPW
96
98
100
101

DIRECT/INDIRECT DR3



LUMEN/FT
1400
1200
1000
800

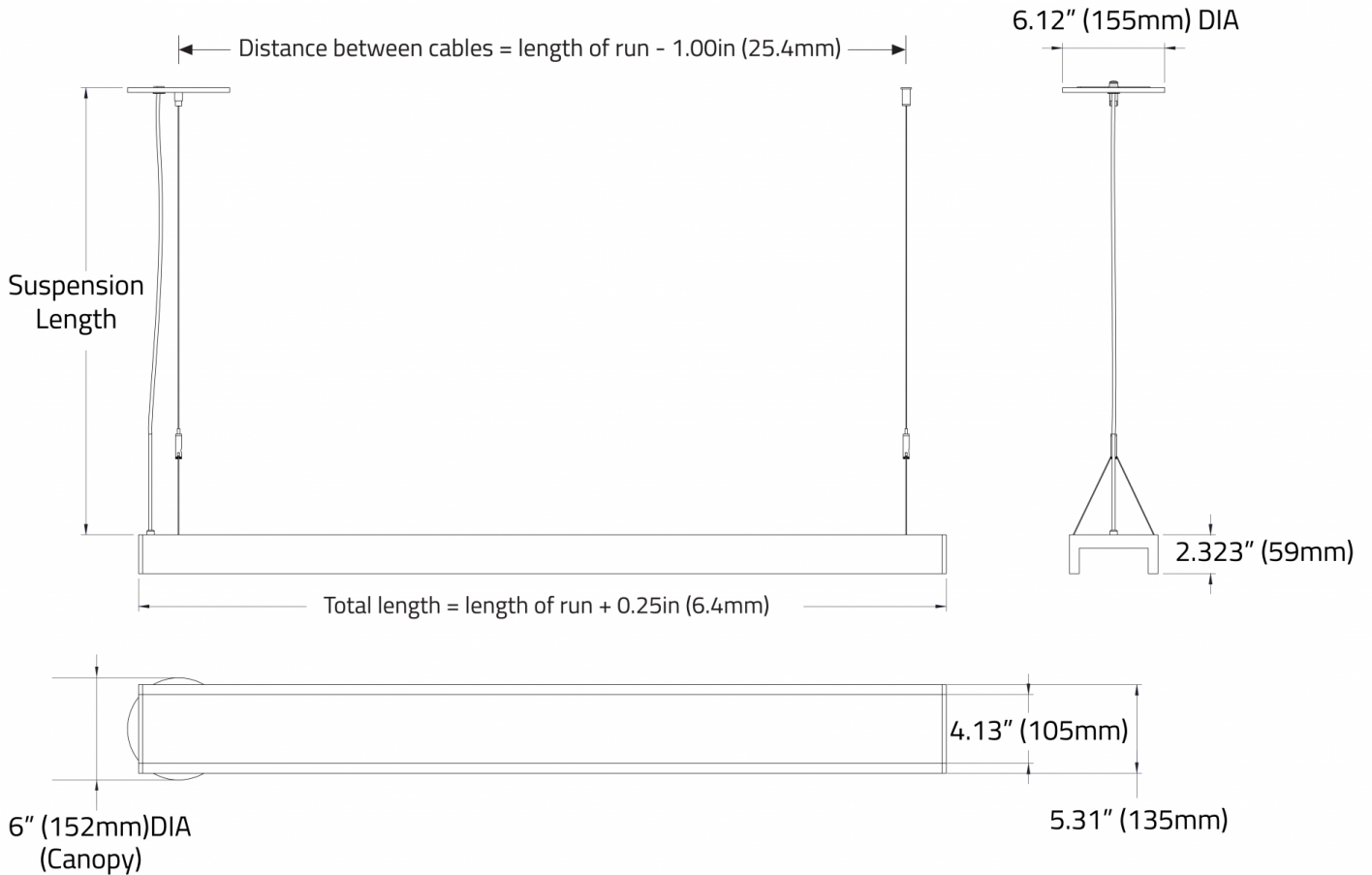
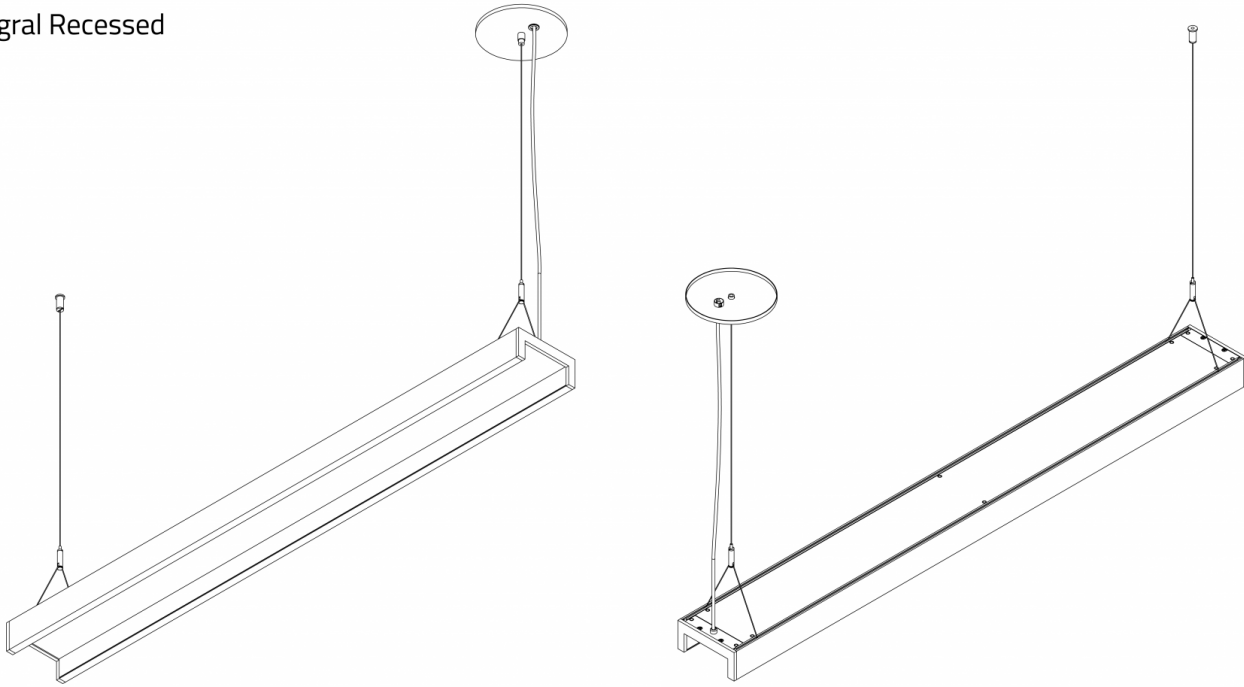
WATT/FT
14
12
10
8

LPW
92
94
96
97

BRIDGE™ - SUSPENDED

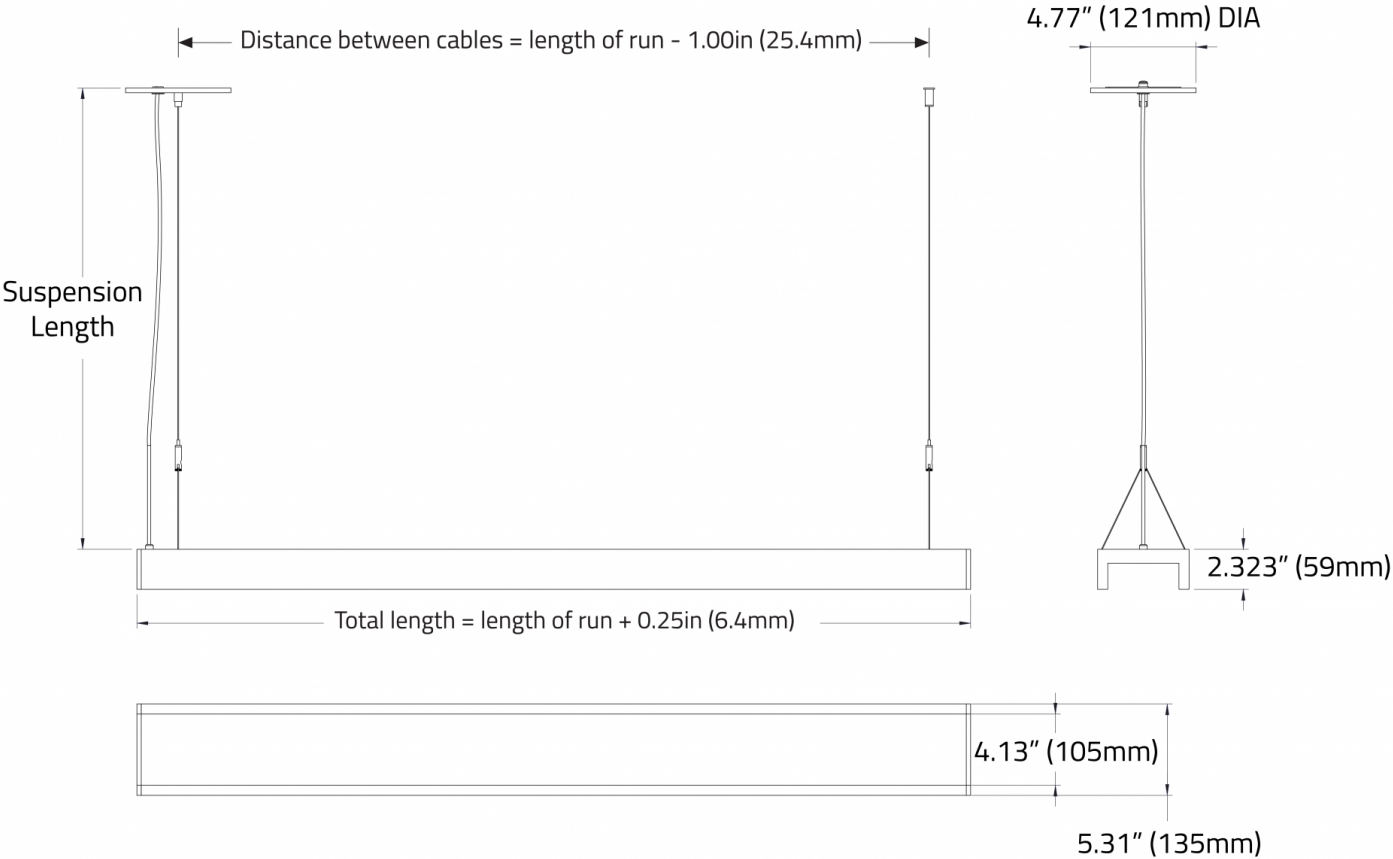
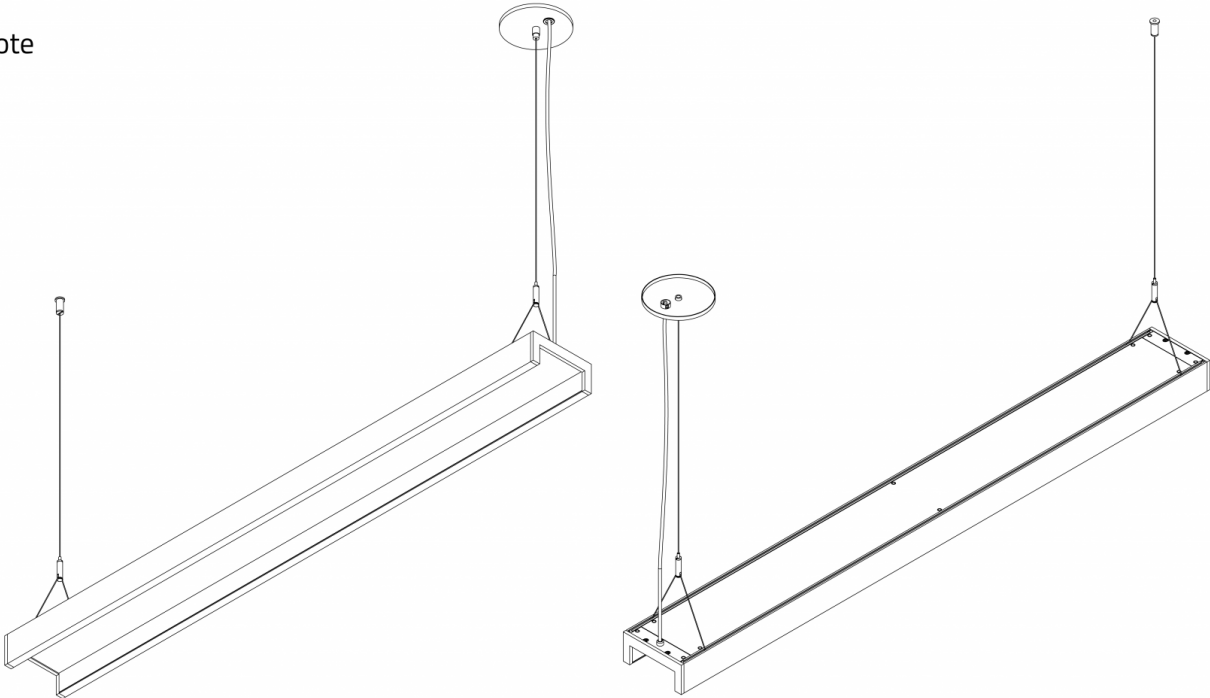
DIMENSIONAL DIAGRAMS

Integral Recessed



BRIDGE™ - SUSPENDED

Remote



BRIDGE™ - SUSPENDED

Integral Recessed Driver Box

