

BRIDGE™ - SUSPENDED



Project Name:

Fixture Type:

Fixture Code:

Quantities:

A. LUMINAIRE

BRID1P Direct

BRID2P Direct/Indirect

One power cord for every 50 linear feet.

B. LENGTH OF RUN

SFA_ _ _ _

Length of run is 4, 6, 8, 10 or 12ft only, not available as a continuous run.

C. LENGTH

SL04 4ft

SL06 6ft

SL08 8ft

SL10 10ft

SL12 12ft

D. DISTRIBUTION

DR0 Direct 100%

DR1 Direct 25% / Indirect 75%

DR3 Direct 60% / Indirect 40%

E. LUMENS/FT

LPF040 400 lm/ft¹

LPF060 600 lm/ft¹

LPF080 800 lm/ft^{1 2 3}

LPF100 1000 lm/ft^{2 3}

LPF120 1200 lm/ft^{2 3}

LPF140 1400 lm/ft^{2 3}

¹ 100% direct light

² 25% direct light / 75% indirect light

³ 60% direct light / 40% indirect light

F. CRI

CR80 CRI 80+

CR90 CRI 90+

G. CCT

CTA30 3000K

CTA35 3500K

CTA40 4000K

H. VOLTAGE

V1 120/277V

V2 240V¹

V3 347V²

V4 Low Voltage³

¹ Not available in North America.

² Only available with DA01 dimming.

³ Only available with DA45 dimming.

I. DIMMING

DA01 0-10V Dimming 1.0%

DA02 0-10V Dimming 0.1%¹

DA20 DALI Dimming 0.1%¹

DA21 DALI Dimming 1.0%¹

DA30 DSI/switchDim²

DA45 PoE³

¹ Not available with V3.

² Not available in North America.

³ Only available with V4.



BRIDGE™ - SUSPENDED

J. CEILING TYPE

H1 Hard ceiling ²

G1 Grid ceiling ¹

The cost for the canopies, power cables, connections mechanisms and endcaps for the fixture has been added to these items.

¹ Combo kit provided includes installation to T-bar and through tile mount. Available with remote box only.

² Designed for drywall ceilings.

K. DRIVER LOCATION

DT01 Recessed ceiling box with integrated canopy ¹

DT02 Remote Box ²

¹ Recessed ceiling box with integrated canopy is not available with 12ft and 1400 lm/ft.

² Grid ceiling available with Remote Box only.

L. SUSPENSION

HLA03 3ft cable suspension

HLA06 6ft cable suspension

HLA09 9ft cable suspension

* Note: Special order available on lengths over 9ft and may be subject to longer lead times, consult factory.

M. FIXTURE FINISH

FA01 White - Textured

FA02 Black Metallic - Textured

FA20 Silver Metallic - Textured

N. INSIDE TRIM

FB01 White

FB20 Silver Metallic Textured

FB27 Wood grain - Light Cherry ¹

FB28 Wood grain - Dark Walnut ¹

FB59 Gold Anodized

¹ Longer lead times may apply, consult factory.

O. CANOPY FINISH

CF01 White - Textured

CF02 Black Metallic - Textured

CF20 Silver Metallic - Textured

P. EMERGENCY (REMOTE ONLY)

E0 Not required

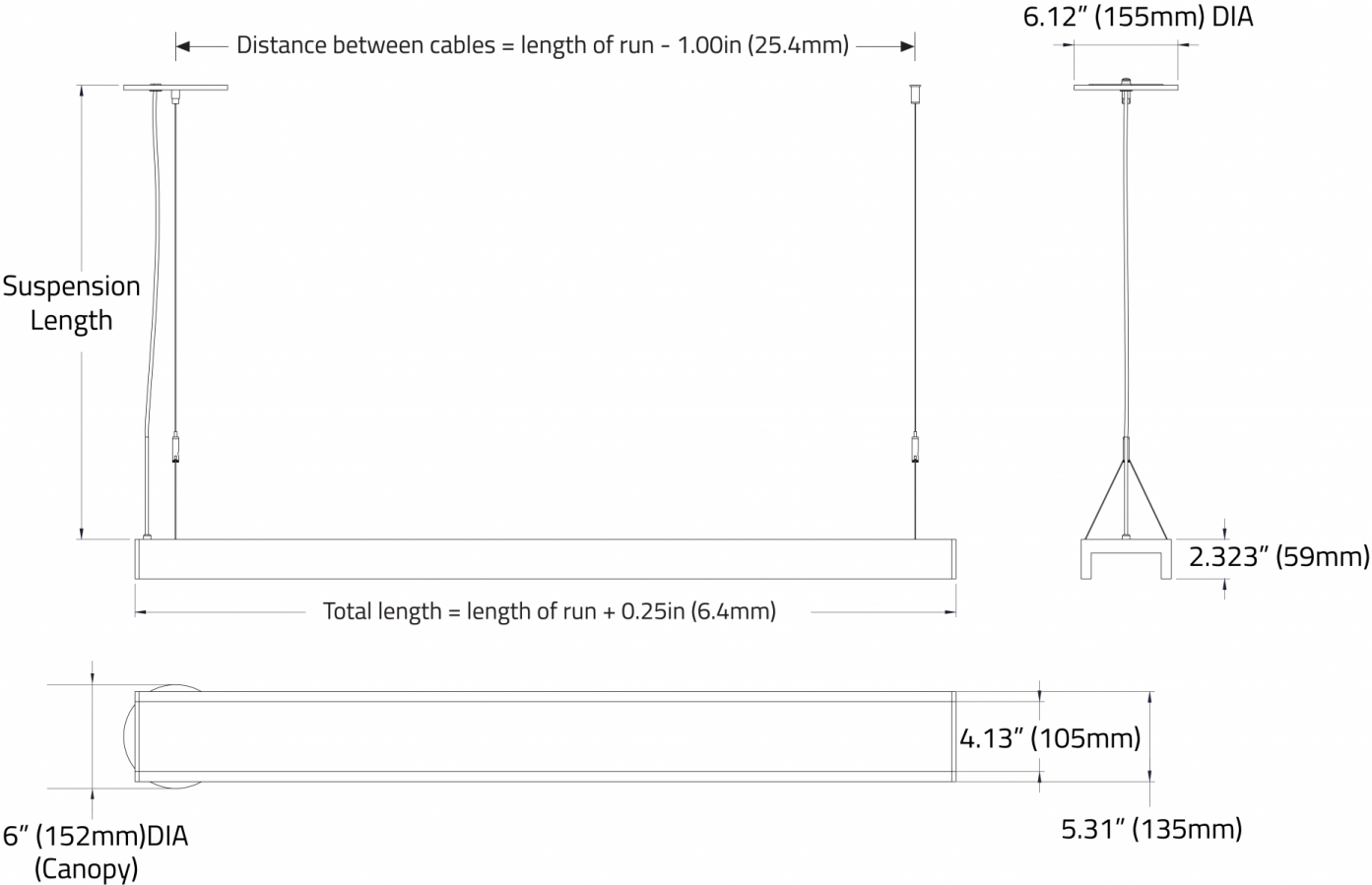
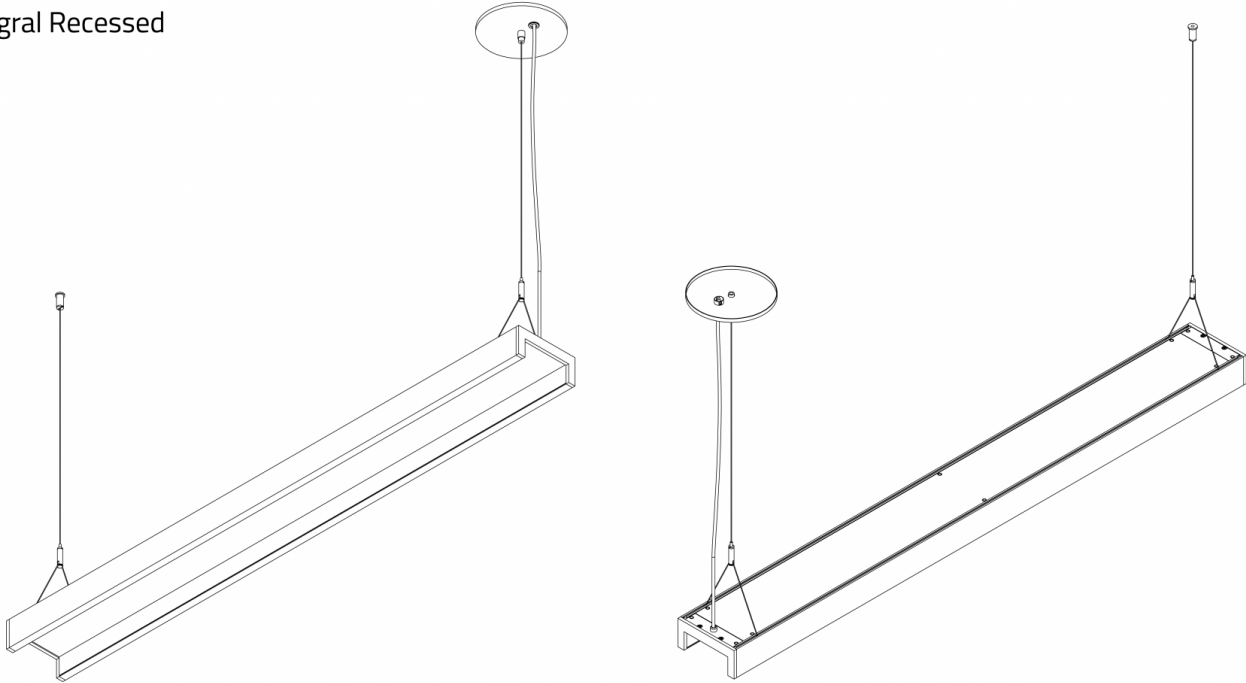
E2 Emergency system - Remote

Q. SENSORS

BRIDGE™ - SUSPENDED

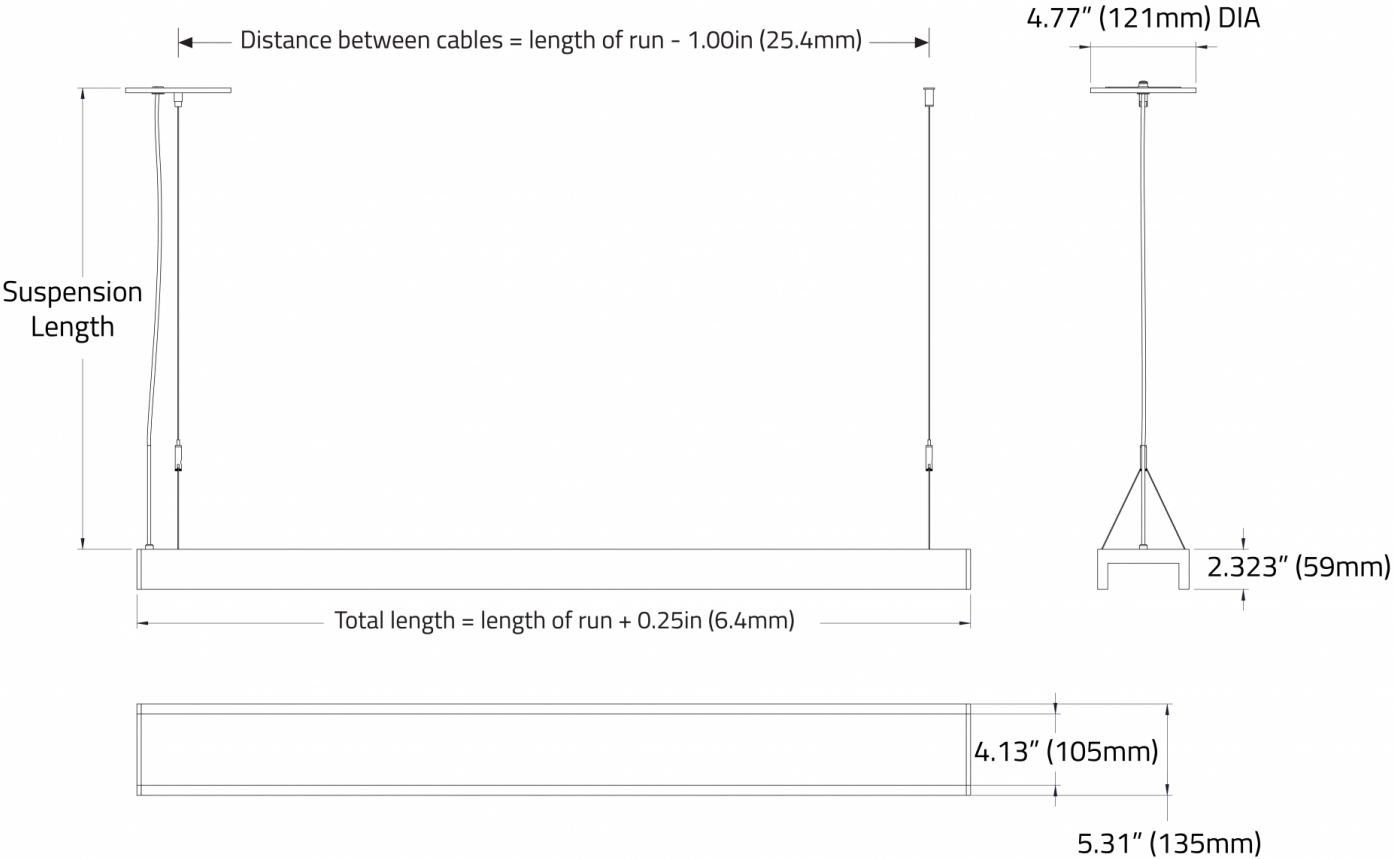
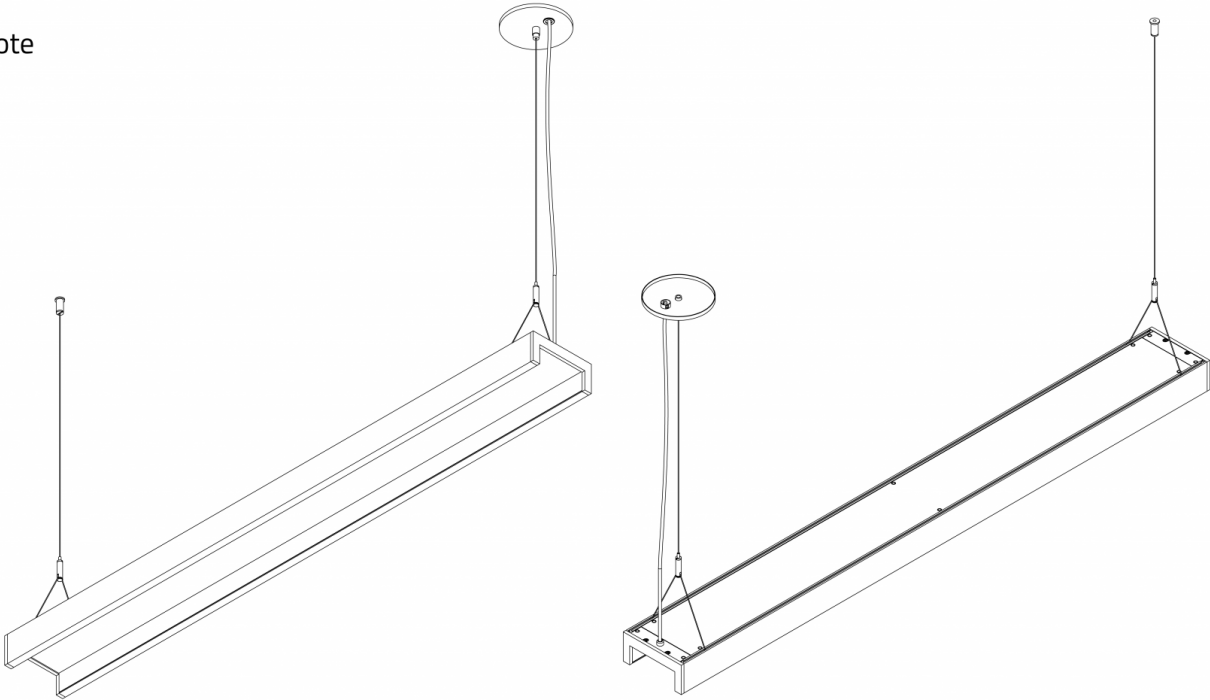
DIMENSIONAL DIAGRAMS

Integral Recessed



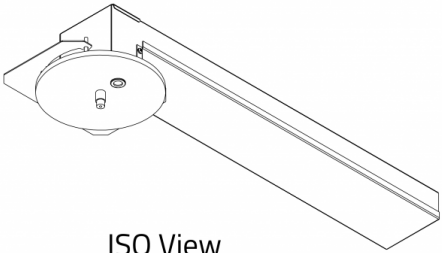
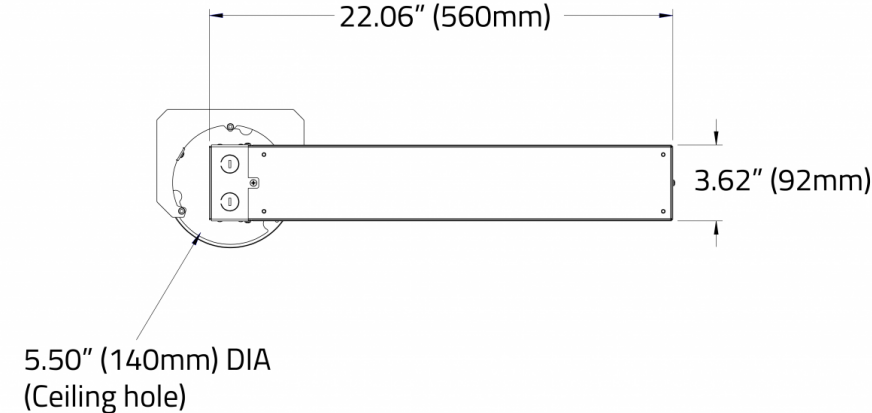
BRIDGE™ - SUSPENDED

Remote



BRIDGE™ - SUSPENDED

Integral Recessed Driver Box



ISO View

