

BUBBLE™ - 2800

Project Name:

Fixture Type:

Fixture Code:

Quantities:



BUBBLE™ - 2800

GENERAL SPECIFICATION

Housing

Round metal frame consisting of modules combined together for electrical and mechanical connections. Bubble comes in the following diameter of 2800mm (110.0").

Power cables

Luminaires supplied with 7.8m/20' of cable. Cables can be extended to a maximum overall distance of 20m/64'. Custom cable lengths can be supplied to special order.

Mechanical

Luminaires mount directly over a junction box.

L70 @25°C (77°F)

>50,000 hrs.

Diffusers

Injection molded, UV stabilized, opal polycarbonate. Diffusers are sectional with subtle but visible seams. Bubble 2800, 16 diffusers.

Drivers

Luminaires supplied with HPF electronic drivers, 120/277V. 0-10V dimming standard.

Finish

White RAL 9003.

Delivered Lumens

Delivered lumens & LPW based on 3000K (min 80 CRI).

MOUNTING & OPTICS



Suspended 2 sides



General Diffuse



BUBBLE™ - 2800

HOW TO ORDER

A. LUMINAIRE

BCBBWH886 BCBBWH886

B. CCT

30 3000K (min 80 CRI)

35 3500K (min 80 CRI)

40 4000K (min 80 CRI)

C. POWER SUPPLY

IPS Integral Power Supply

RPS Remote Power Supply

D. SUSPENSION

LP Low Profile Pd (8 suspension cables connected to the central joint)

AP Adjust. Pd (8 cables connected to central joint & 4 adjust. cables)

CM Ceiling Mount (8 suspension cables L=2000mm/79")

LP (Low Profile Pd) option not available with IPS (Integral Power Supply)

E. LUMEN OUTPUT

L0 100% of standard output

L1 Lumen & wattage reduction to approximately 75% of standard output

L2 Lumen & wattage reduction to approximately 50% of standard output

L3 Lumen & wattage reduction to approximately 25% of standard output

Custom reduction percentages available upon request.

F. ACCESSORIES

150A031VE Umbrella tool for assembly
(Retains structural integrity during the installation process)

1. One required per order



BUBBLE™ - 2800

TECHNICAL DATA

LUMINAIRE

Code	BCBBWH886
Diameter	110"
Power (LED)	564W
Delivered lms	37282
LPW	66
Weight	165.3lb

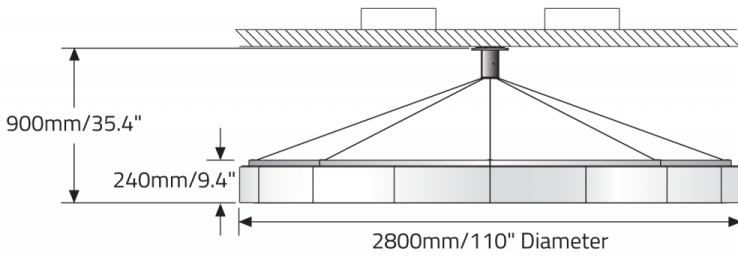
APPROVALS



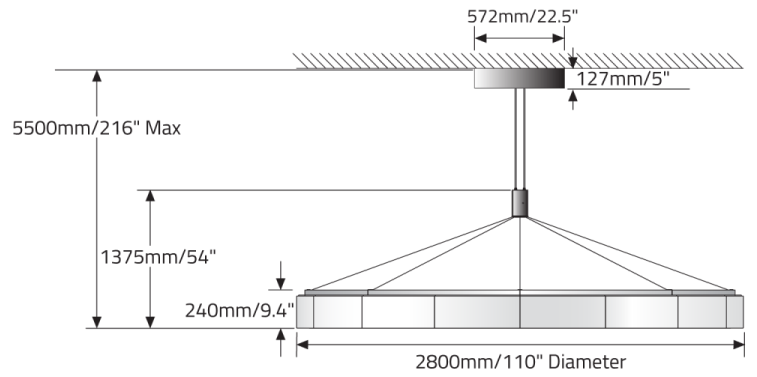
IP20

BUBBLE™ - 2800

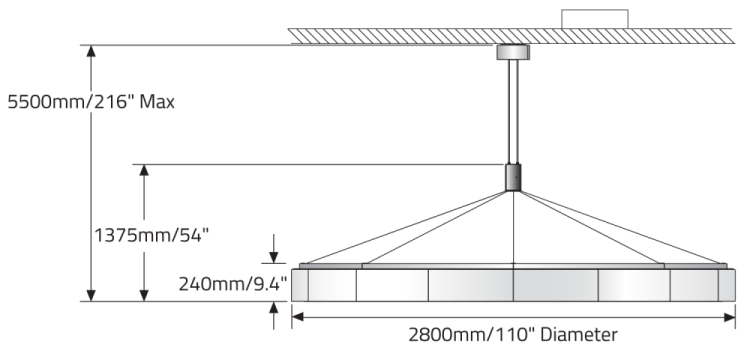
DIMENSIONAL DIAGRAMS



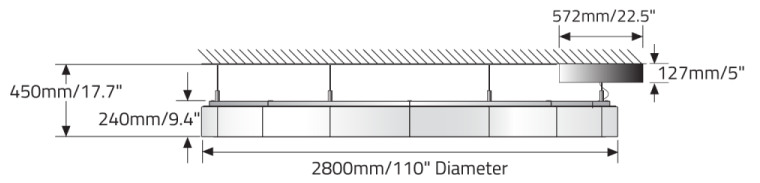
Low Profile Pendant with Remote Power Supply.



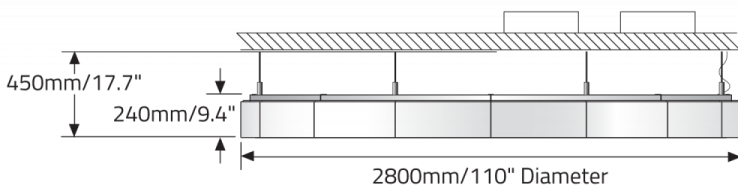
Adjustable Pendant with IPS option



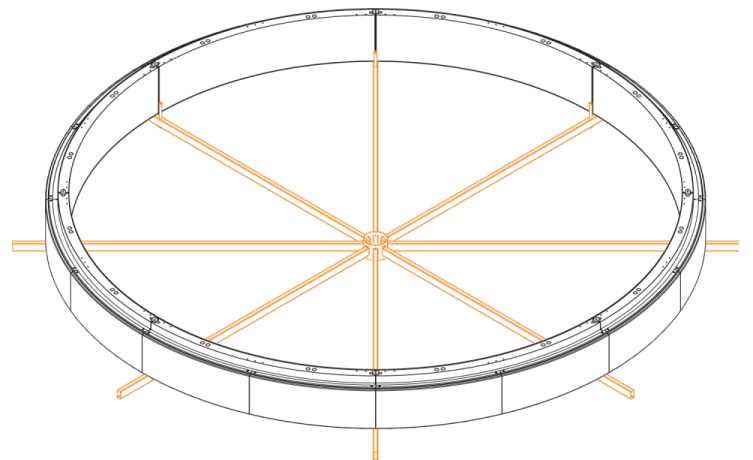
Adjustable Pendant with RPS option



Ceiling Mounting with IPS option



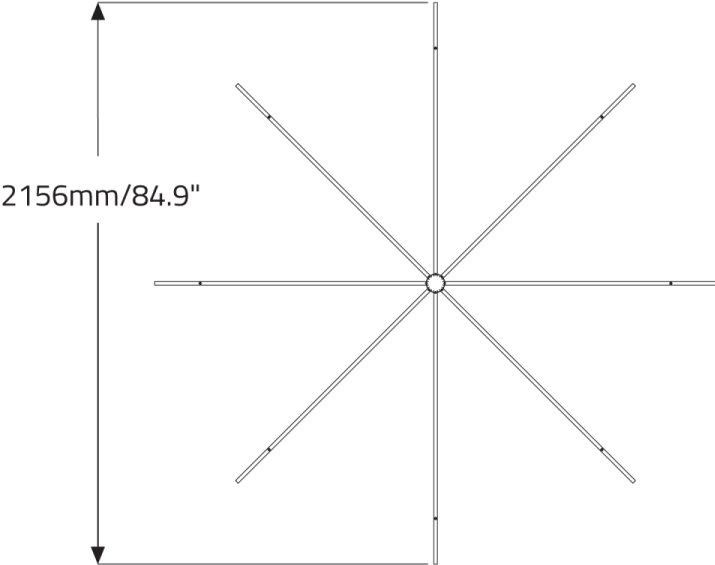
Ceiling Mounting with RPS option



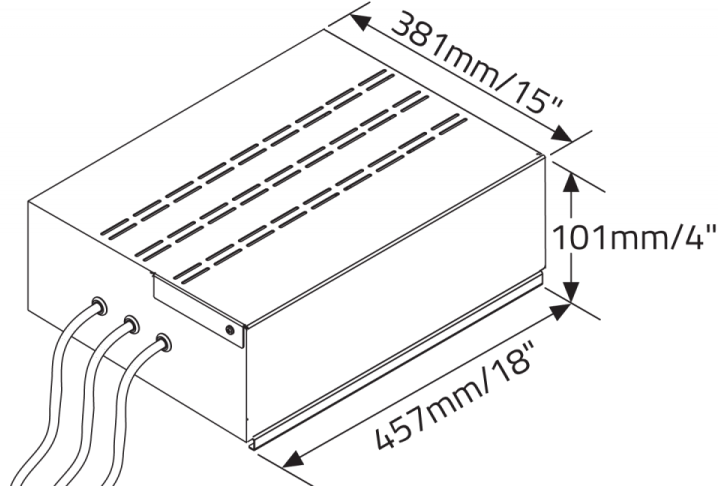
Umbrella tool for assembly



BUBBLE™ - 2800



150A031VE UMBRELLA



**RPS Remote power supply box
(2 required for LP and CM)**