

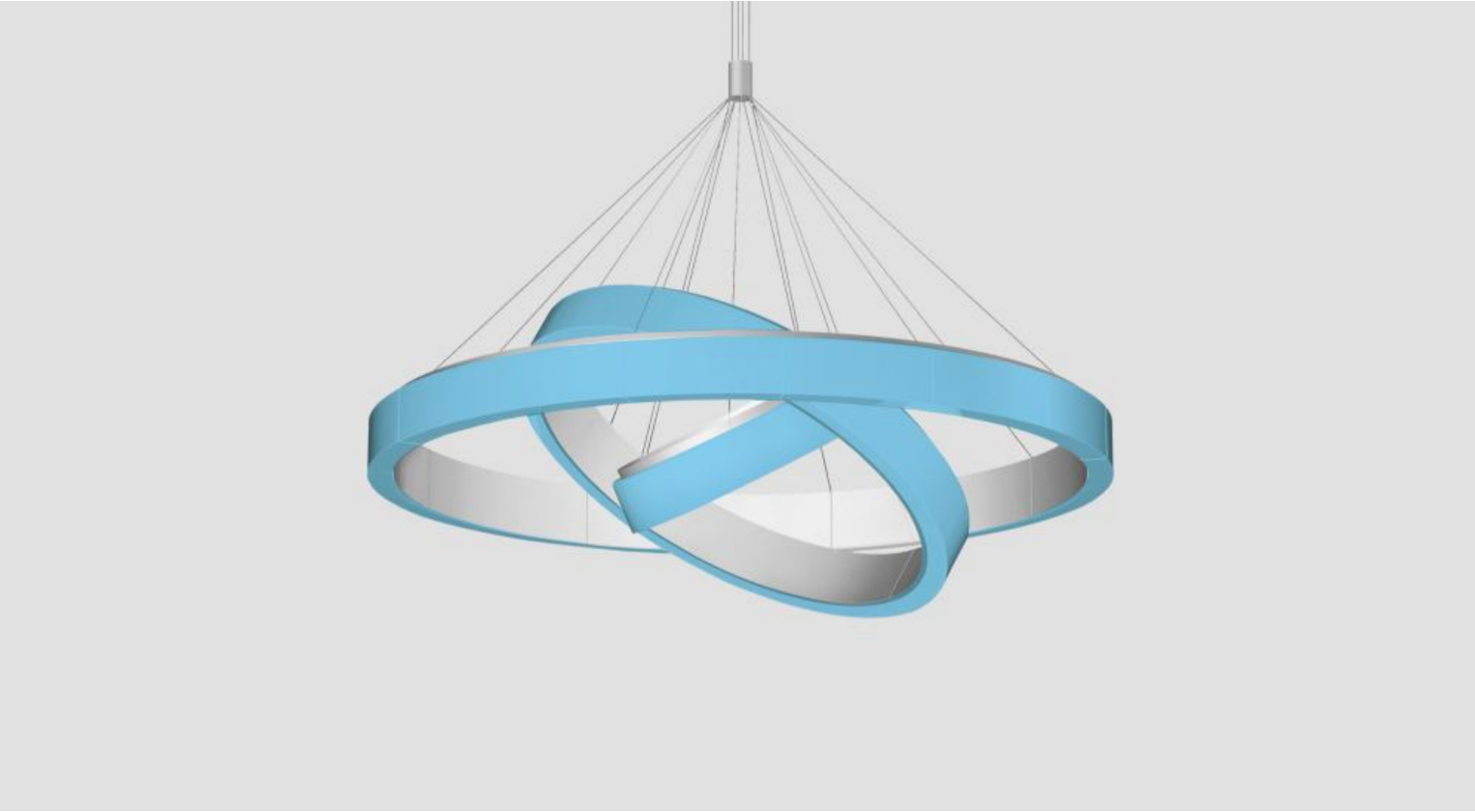
# BUBBLE 3D RGB™ - SUSPENDED

Project Name:

Fixture Type:

Fixture Code:

Quantities:



# BUBBLE 3D RGB™ - SUSPENDED

## GENERAL SPECIFICATION

### Housing

Round metal frame consisting of modules combined together for electrical and mechanical connection. Bubble 3D supplied in the following diameters: 1000mm (39.4"), 1800mm (70.9") and 2800mm (110.0").

### Drivers/power supplies

Luminaires supplied with remote electronic drivers/DMX interfaces, 120/277V. Connection of the power cords (approx. 12) to the remote drivers by others.

### RGB control

Luminaires require a DMX controller by others.

### Finish

White RAL 9003.

### Diffusers

Injection molded, UV stabilized, opal polycarbonate. Diffusers are sectional with subtle but visible seams Bubble 1000, 3 diffusers; Bubble 1800, 8 diffusers and Bubble 2800, 16 diffusers.

### Power cables

Luminaires, supplied with 13.5m/35' of cable. Cables can be extended to a maximum overall distance of 20m/64'.

*Custom cable lengths can be supplied to special order.*

### Mechanical

Luminaires mount directly over a junction box.

### Delivered Lumens

Delivered lumens & LPW based on 3000K (min 80 CRI).

## MOUNTING & OPTICS



Suspended Direct

# BUBBLE 3D RGB™ - SUSPENDED

## HOW TO ORDER

### A. LUMINAIRE

**BC3DRGBP** BC3DRGBP

**BC3DRGBLP** BC3DRGBLP

### B. ACCESSORIES

**150A031VE** Umbrella tool for assembly/installation of Bubble 110" only. Retains structural integrity during the installation process

1. One required per order

## TECHNICAL DATA

### LUMINAIRE

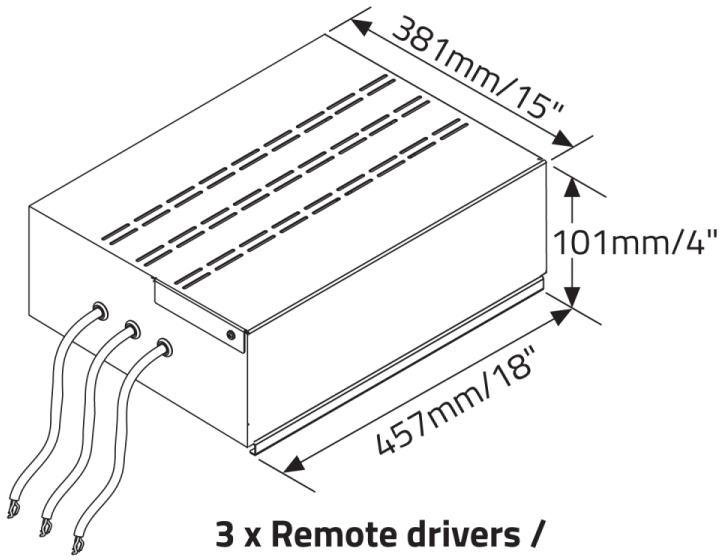
| Code        | BC3DRGBP             | BC3DRGBLP            |
|-------------|----------------------|----------------------|
| Type        | Adjustable           | Low Profile          |
| Power (LED) | RGB<br>264W+156W+80W | RGB<br>264W+156W+80W |
| Weight      | 286.6lb              | 286.6lb              |

## APPROVALS

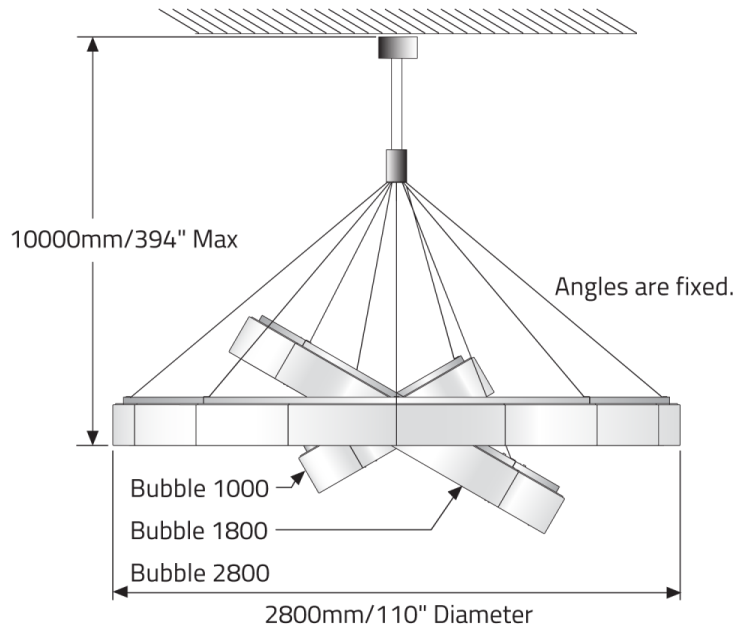


# BUBBLE 3D RGB™ - SUSPENDED

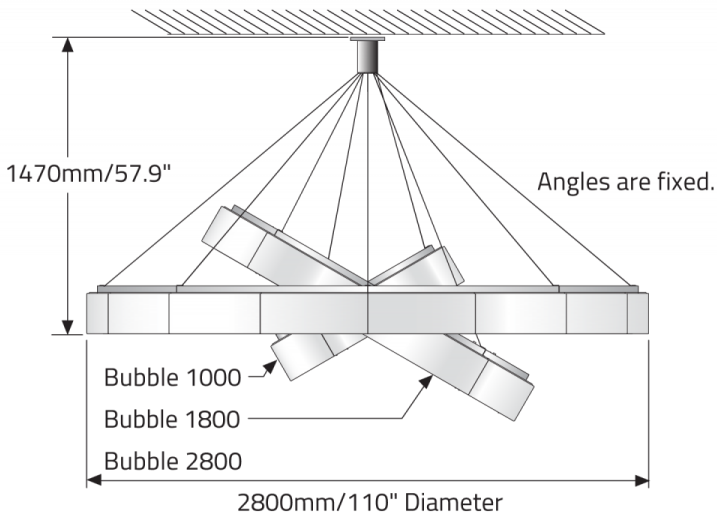
## DIMENSIONAL DIAGRAMS



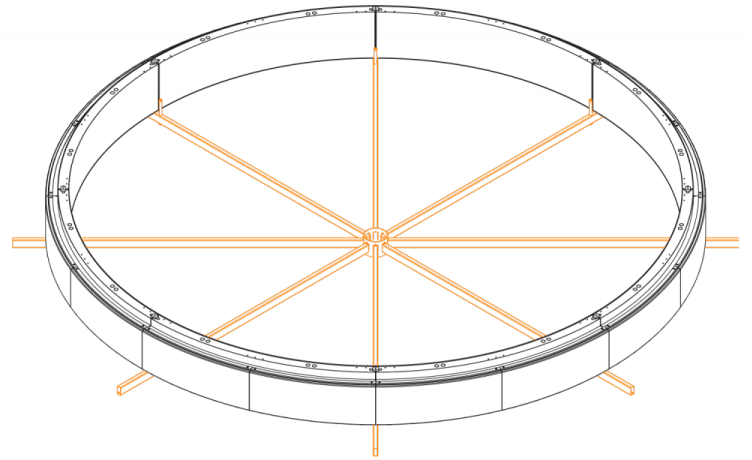
**3 x Remote drivers /  
power supply included**



**Adjustable Pendant option**

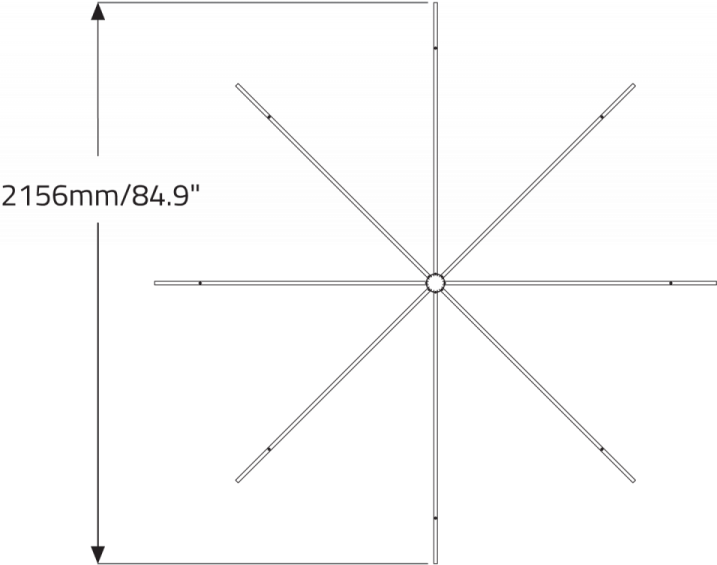


**Low Profile Pendant option**



**Umbrella tool for assembly**

**BUBBLE 3D RGB™ - SUSPENDED**



**150A031VE Umbrella**