

BUBBLE 3D™ - SUSPENDED

Project Name:

Fixture Type:

Fixture Code:

Quantities:



BUBBLE 3D™ - SUSPENDED

GENERAL SPECIFICATION

Housing

: Round metal frame consisting of modules combined together for electrical and mechanical connection. Bubble 3D supplied in the following diameters: 1000mm (39.4"), 1800mm (70.9") and 2800mm (110.0").

Drivers

Luminaires supplied with two power supply box included electronic drivers 120/277V, dim 0-10V (10%). Connection of the power cords (approx 6) to the remote drivers by others.

Finish

White RAL 9003.

Diffusers

Injection molded, UV stabilized, opal polycarbonate. Diffusers are sectional with subtle but visible seams. Bubble 1000, 3 diffusers; Bubble 1800, 8 diffusers and Bubble 2800, 16 diffusers.

Power cables

Luminaires, supplied with 13.5m/35' of cable. Cables can be extended to a maximum overall distance of 20m/64'. *Custom cable lengths can be supplied to special order.*

Delivered Lumens

Delivered lumens & LPW based on 3000K (min 80 CRI).

MOUNTING & OPTICS



Suspended 3 sides



General Diffuse

BUBBLE 3D™ - SUSPENDED

HOW TO ORDER

A. LUMINAIRE

BCBT500P BCBT500P

BCBT501LP BCBT501LP

B. CCT

30 3000K (min 80 CRI)

35 3500K (min 80 CRI)

40 4000K (min 80 CRI)

C. ACCESSORIES

150A031VE Umbrella tool for assembly/installation of Bubble (required only for 110" dia.). Retains structural integrity during the installation process

1. One required per order

TECHNICAL DATA

LUMINAIRE

| Code | BCBT500P | BCBT501LP |
|---------------|-----------------|------------------|
| Type | Adjustable | Low Profile |
| Power (LED) | 564W+333W+173W | 564W+333W+173W |
| Delivered lms | 70753 | 70753 |
| Weight | 286.6lb | 286.6lb |

APPROVALS

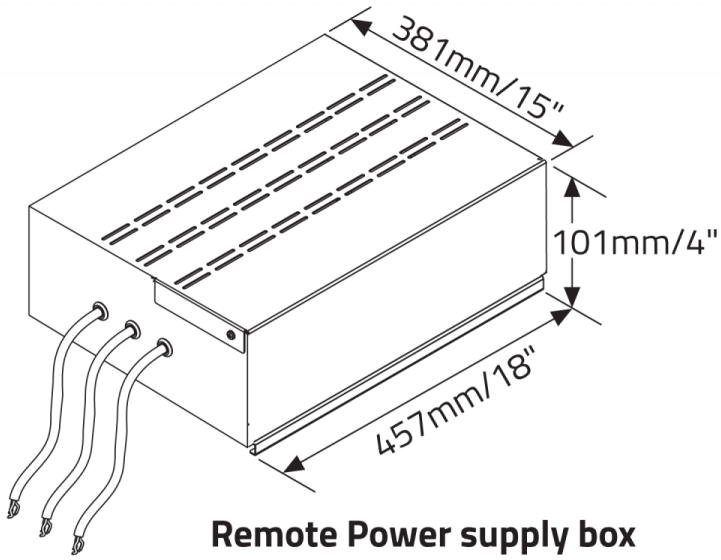


IP20

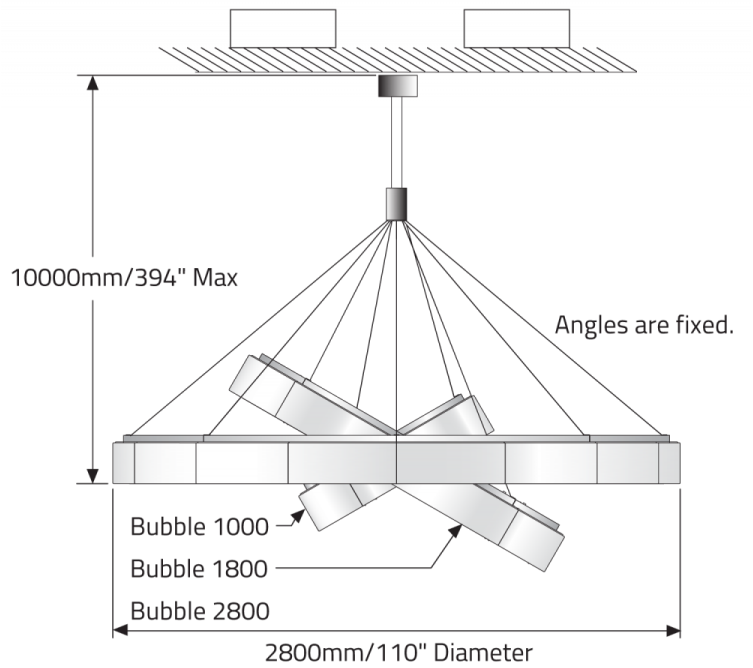


BUBBLE 3D™ - SUSPENDED

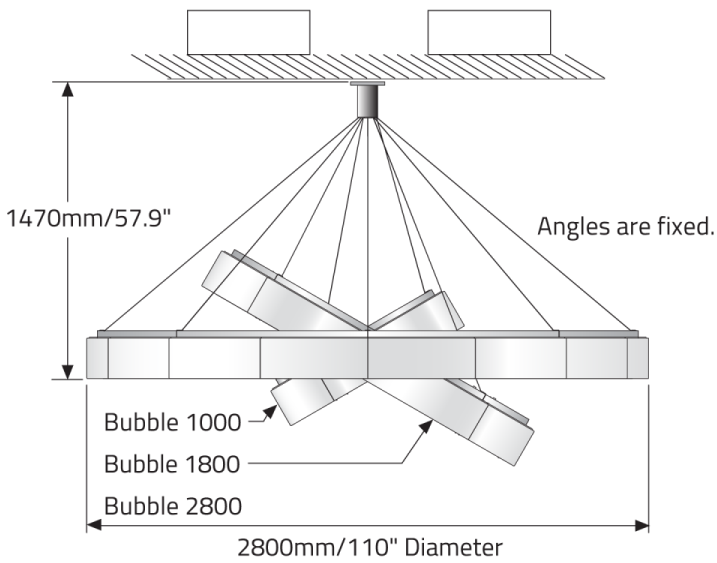
DIMENSIONAL DIAGRAMS



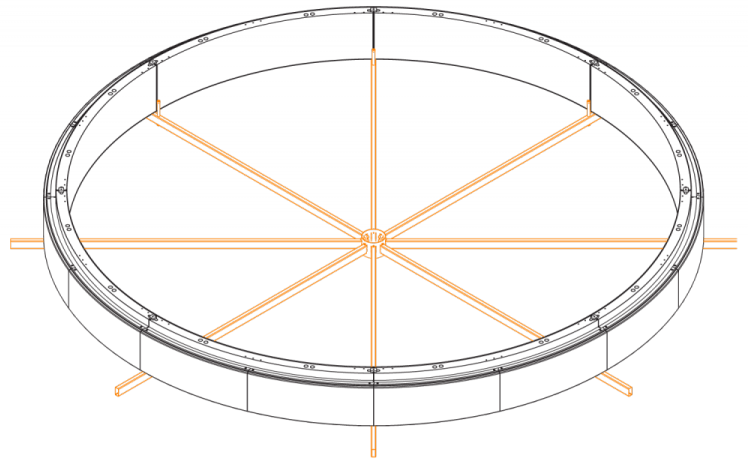
**Remote Power supply box
(2 required)**



Adjustable pendant option

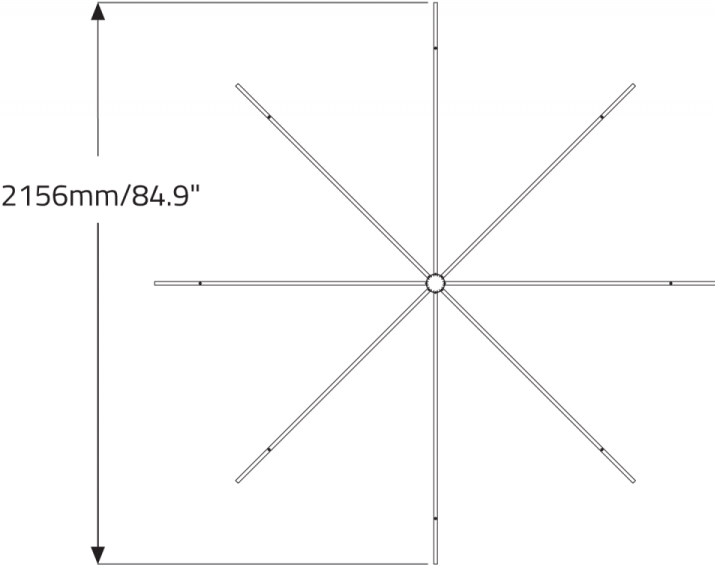


Low Profile Pendant option



Umbrella tool for assembly

BUBBLE 3D™ - SUSPENDED



150A031VE UMBRELLA