

BUBBLE RGB™ - 2800

Project Name:

Fixture Type:

Fixture Code:

Quantities:



BUBBLE RGB™ - 2800

GENERAL SPECIFICATION

Housing

Round metal frame consisting of modules combined together for electrical and mechanical connection. Bubbles supplied in the following diameter of 2800mm (110.0").

Drivers/power supplies

Luminaires supplied with electronic drivers/DMX interfaces, 120/277V.

RGB control

Luminaires require a DMX controller by others.

Finish

White RAL 9003.

Diffusers

Injection molded, UV stabilized, opal polycarbonate. Diffusers are sectional with subtle but visible seams. Bubble 2800, 16 diffusers.

Power cables

Luminaires supplied with 7.8m/20' of cable. Cables can be extended to a maximum overall distance of 20m/64'. *Custom cable lengths can be supplied to special order.*

Mechanical

Luminaires mount directly over a junction box.

Delivered Lumens

Delivered lumens & LPW based on 3000K (min 80 CRI).

MOUNTING & OPTICS



Suspended Direct

BUBBLE RGB™ - 2800

HOW TO ORDER

A. LUMINAIRE

BCBE28 BCBE28

B. POWER SUPPLY

IPSDX Integral Power Supply with DMX Interface

RPSDX Remote Power Supply with DMX Interface

C. SUSPENSION

LP Low Profile Pd (8 suspension cables connected to the central joint)

AP Adjust. Pd (8 cables connected to central joint & 4 adjust. cables)

CM Ceiling Mount (8 suspension cables L=79")

LP (Low Profile Pd) option not available with IPSDX (Integral Power Supply with DMX Interface)

D. ACCESSORIES

150A031VE Umbrella tool for assembly (Retains structural integrity during the installation process)

1. One required per order.

TECHNICAL DATA

LUMINAIRE

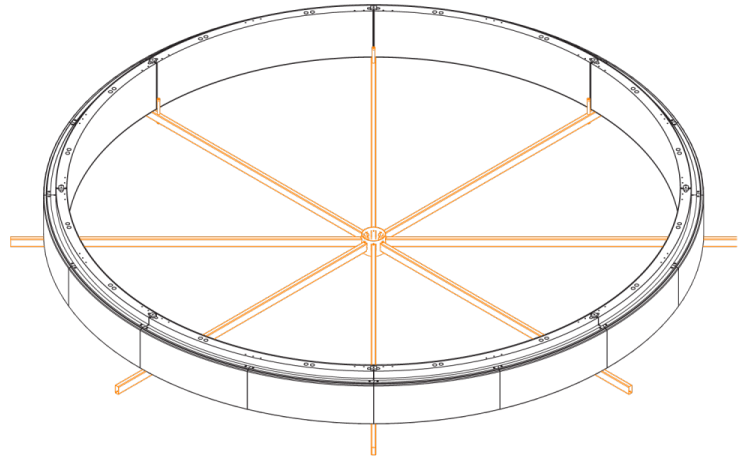
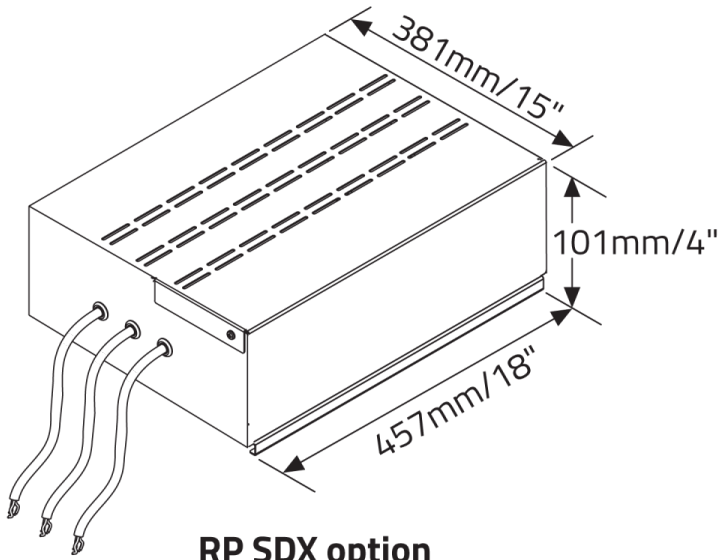
Code	BCBE28
Diameter	110"
Power (LED)	264W RGB
Weight	165.3lb

APPROVALS

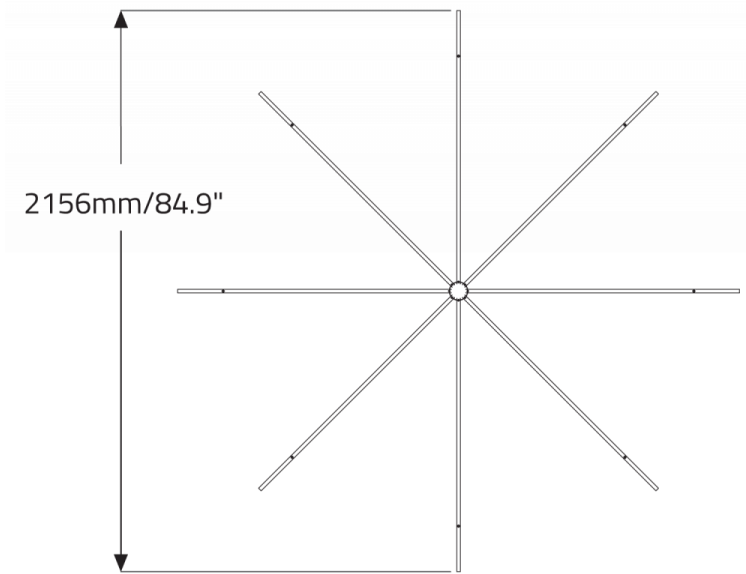


BUBBLE RGB™ - 2800

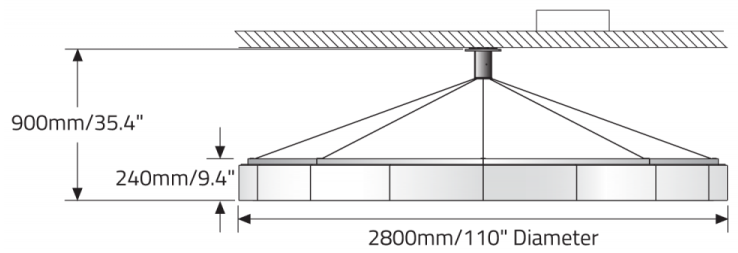
DIMENSIONAL DIAGRAMS



Umbrella tool for assembly

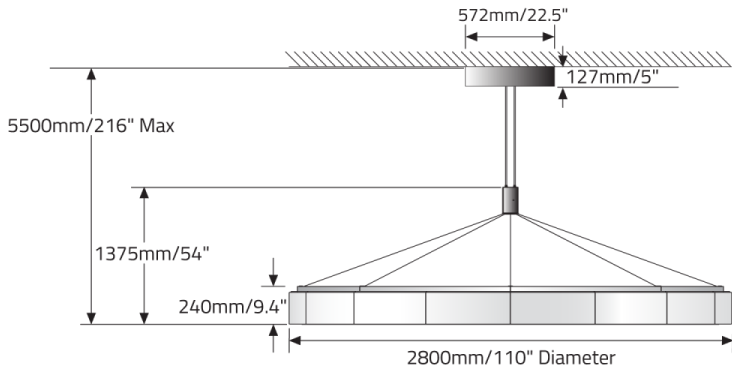


150A031VE UMBRELLA

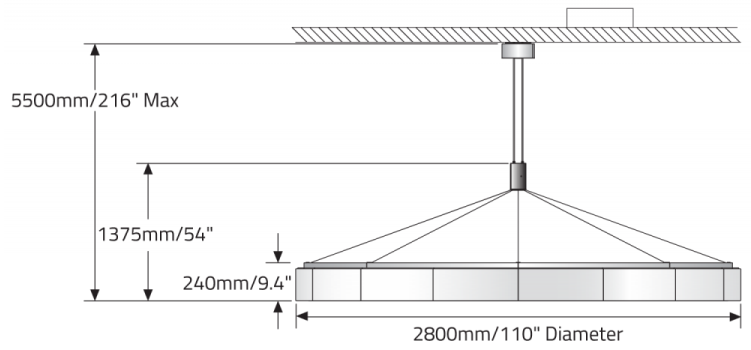


Low Profile Pendant option

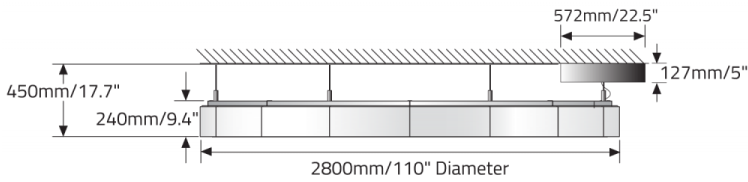
BUBBLE RGB™ - 2800



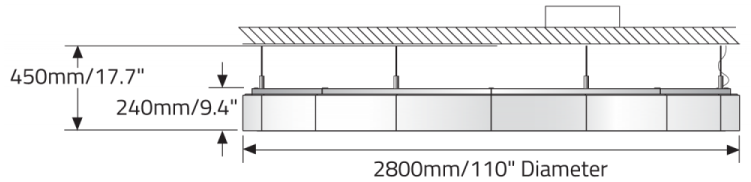
**Adjustable Pendant
with IPSDX option**



**Adjustable Pendant
with RPSDX option**



**Ceiling Mounting
with IPSDX option**



**Ceiling Mounting
with RPSDX option**