

# BUBBLE™ - 600/1000/1800

Project Name:

Fixture Type:

Fixture Code:

Quantities:



# BUBBLE™ - 600/1000/1800

## GENERAL SPECIFICATION

### Housing

Round metal frame consisting of modules combined together for electrical and mechanical connections. Bubble comes in the following diameters: 600mm (23.6"), 1000mm (39.4") and 1800mm (70.9").

### Power cables

Luminaires supplied with 7.8m/20' of cable. Cables can be extended to a maximum overall distance of 20m/64'. Custom cable lengths can be supplied to special order.

### Finish

White RAL 9003.

### Delivered Lumens

Delivered lumens & LPW based on 3000K (min 80 CRI).

### Diffusers

Injection molded, UV stabilized, opal polycarbonate. Diffusers are sectional with subtle but visible seams. Bubble 600, 3 diffusers; Bubble 1000, 3 diffusers and Bubble 1800, 8 diffusers.

### Drivers

Luminaires supplied with HPF electronic drivers, 120/277V. 0-10V dimming standard.

### L70 @25°C (77°F)

> 50,000 hrs.

## MOUNTING & OPTICS



Suspended 2 sides



General Diffuse

# BUBBLE™ - 600/1000/1800

## HOW TO ORDER

### A. LUMINAIRE

**AL1** AL1

**AL2** AL2

**AL3** AL3

### B. CCT

**J2** 3000K (min 80 CRI)

**J3** 3500K (min 80 CRI)

**J4** 4000K (min 80 CRI)

### C. INTEGRAL LED POWER SUPPLY

**CA0** Canopy with driver not required

**CA1** Canopy with driver for Bubble 600

**CA2** Canopy with driver for Bubble 1000

**CA3** Canopy with driver for Bubble 1800

1. Bubble LED integral power supply in canopy.
2. Canopy included.
3. Only select if you do **not** want a **remote** power supply.

### D. REMOTE LED POWER SUPPLY

**X0** Remote power supply not required

**X1** Remote power supply for Bubble 600

**X2** Remote power supply for Bubble 1000

**X3** Remote power supply for Bubble 1800

1. Canopy NOT included
2. Select mounting canopy from Canopies for Remote Power Supply below as a separate line item.
3. Max distance from driver to remote box is 50ft.
4. Only select if you do NOT want integral power supply.

### E. CANOPY FOR REMOTE LED POWER SUPPLY

**Y0** Canopy for remote LED power supply not required

**Y1** Canopy for load bearing ceilings (max 70lbs) for Bubbles 600 & 1000

**Y2** Canopy for load bearing ceilings (max 220lbs) for Bubble 1800

**Y3** Canopy for false ceilings (cables are anchored to the load bearing ceiling)

1. Select only when choosing **Remote** LED power supply

### F. LUMEN OUTPUT

**L0** 100% of standard output

**L1** Lumen & wattage reduction to approximately 75% of standard output

**L2** Lumen & wattage reduction to approximately 50% of standard output

Custom reduction percentages available upon request.

### G. SURFACE MOUNTING KITS

**BC0** Surface mounting kit not required

**BC1** Surface mounting kit for Bubble 600

**BC2** Surface mounting kit for Bubble 1000

**BC3** Surface mounting kit for Bubble 1800

1. For use with luminaires with **remote** power supply only.
2. **Must be ordered with Y3 canopy.**

# BUBBLE™ - 600/1000/1800

## TECHNICAL DATA

### LUMINAIRE

Code	AL1	AL2	AL3
Wattage	96W	173W	333W
Delivered lms	6536	11433	22038
LPW	68	66	66
Diameter (A)	23.6"	39.4"	70.9"
Diameter (B)	17.3"	31.5"	63.0"
Depth (D)	7.5"	9.5"	9.5"
Weight	17.9lbs	35.5lbs	72.8lbs

---

## APPROVALS

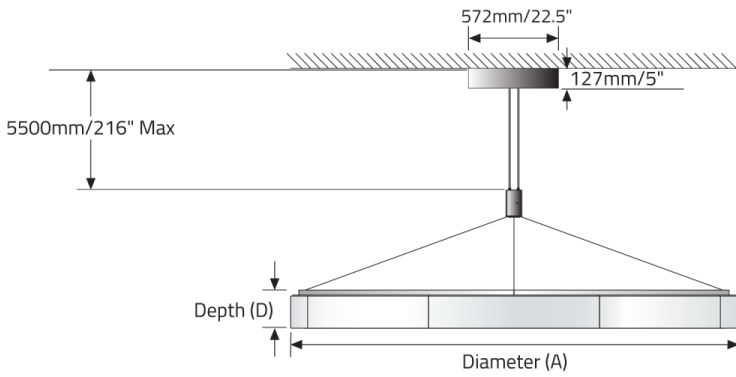


IP20

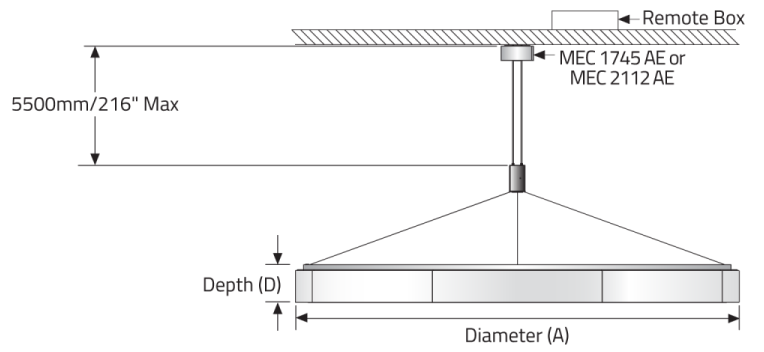


# BUBBLE™ - 600/1000/1800

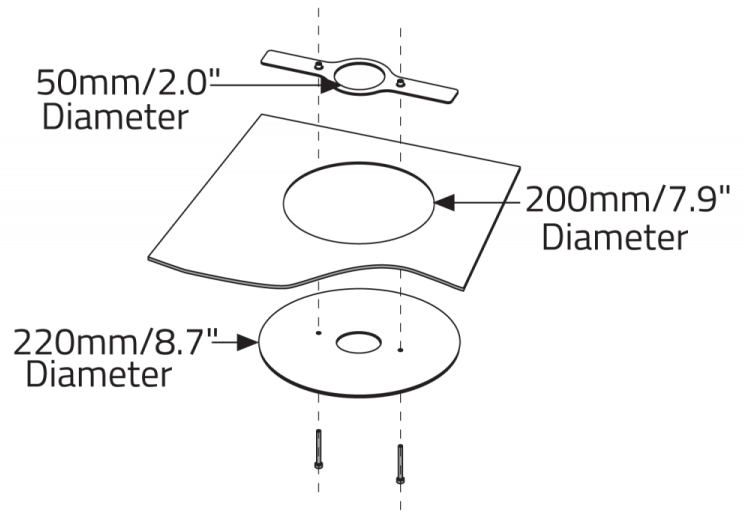
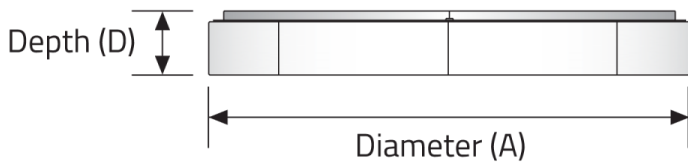
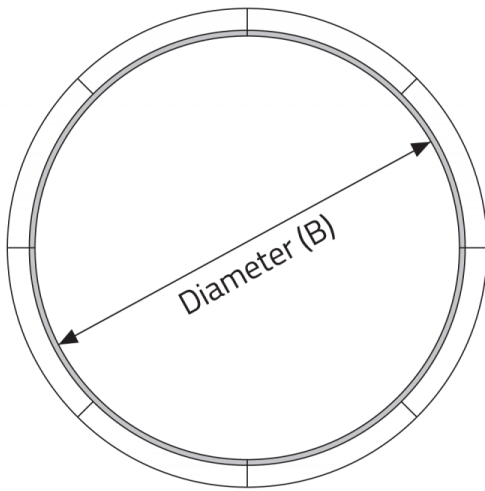
## DIMENSIONAL DIAGRAMS



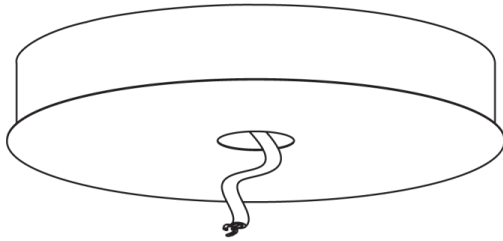
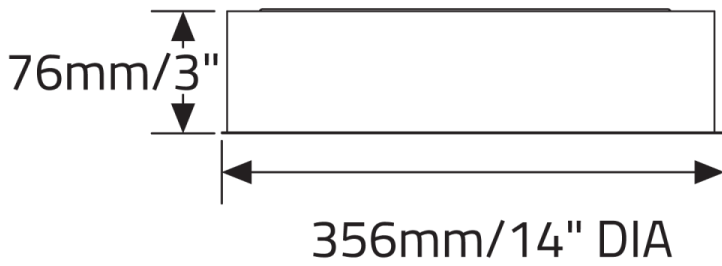
**Adjustable Pendant  
with Integral Power Supply**



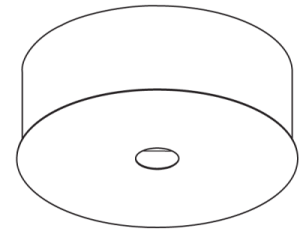
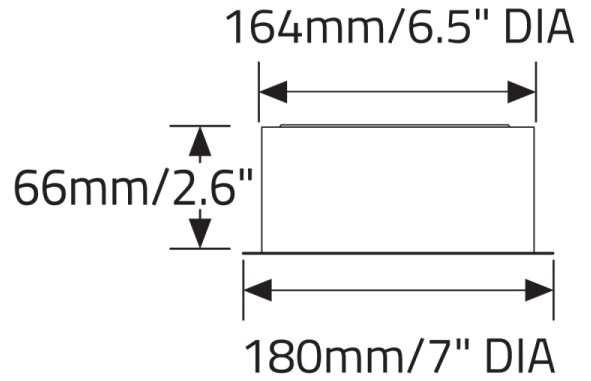
**Adjustable Pendant  
with Remote Power Supply**



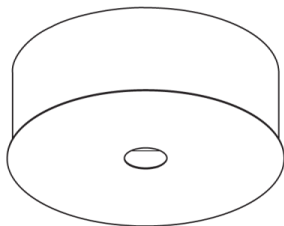
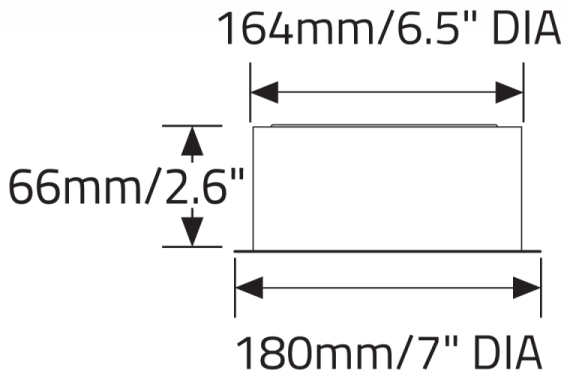
**BUBBLE™ - 600/1000/1800**



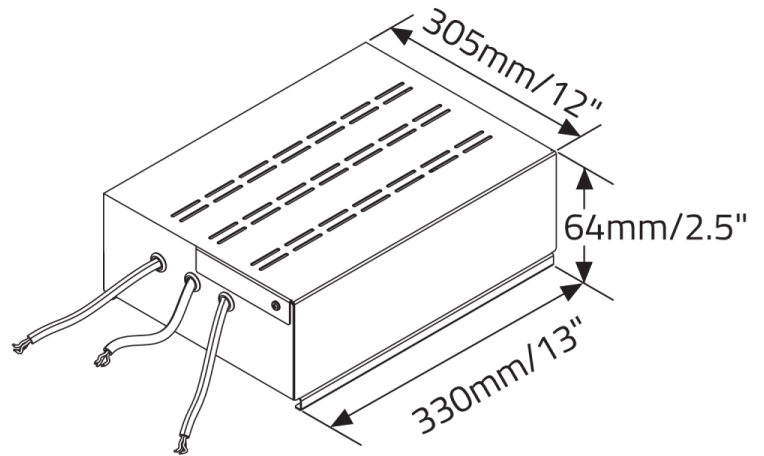
**BCLED6/IN  
BCLED10/IN  
BCLED18/IN**



**MEC1745AE**



**MEC2112AE**



**BCLED6/R  
BCLED10/R  
BCLED18/R**

# BUBBLE™ - 600/1000/1800

