

CERCHIO™ - SUSPENDED

Project Name:

Fixture Type:

Fixture Code:

Quantities:



CERCHIO™ - SUSPENDED

GENERAL SPECIFICATION

Body

Aluminum.

Suspension

Stainless steel cables.

Lens

Protruding Lens (2.1mm/0.08").

Remote Mounting Of Drivers

Wire Size 18 AWG - Max distance (from canopy to drivers) 9.5'; Wire size 16 AWG - Max distance 19.5'; Wire size 14 AWG - Max distance 29.5'. Drivers must be accessible after installation.

L70 @25°C

>50,000 hrs.

Delivered Lumens

Delivered lumens & LPW based on 3000K (min 80 CRI) for White LEDs only.

Finish

Powder coated.

Power cable

Silver braided.

Drivers

HPF electronic drivers for 120-277V (EU-240V), 0-10V, 1% dimming.

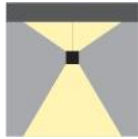
Remote Emergency

Emergency option provides a 1.5 hour (3 hours for EU) emergency lighting facility. The remote system includes the inverter module, NiCad batteries and a remote wall/ceiling LED charge indicator and test switch (NA only) Maximum distance between wall/ceiling plate and luminaire is 4.5m/15'. Test switch fits a single gang box (not supplied).

Mechanical

Luminaires mount directly over J box (by others - North America only).

OPTICS & FEATURES



Suspended Direct Suspended Direct/Indirect

CERCHIO™ - SUSPENDED

HOW TO ORDER

A. LUMINAIRE

958010 958010

958050 958050

958140 958140

958020 958020

958110 958110

958150 958150

958030 958030

958120 958120

958040 958040

958130 958130

B. CCT/COLOR (DIRECT)

D30 3000K (min 80 CRI)

DGN Green

D35 3500K (min 80 CRI)

DBL Blue

D40 4000K (min 80 CRI)

DRD Red

C. CCT/COLOR (INDIRECT)

N30 3000K (min 80 CRI)

NGN Green

N35 3500K (min 80 CRI)

NBL Blue

N40 4000K (min 80 CRI)

NRD Red

D. SUSPENSION

S1 Vertical, Remote Driver (2 canopies required for 84" dia. only)

S2 Hub Remote Driver

S3 Vertical Integral Driver

S4 Hub Integral Driver

Direct Only light distribution not available with S2 or S4 suspension for size 2134mm/84"

Direct/Indirect light distribution not available with S2, S3 or S4 suspension for sizes 1524mm/60" and larger

E. FINISH

BL Black

MS Silver Metallic

WH White

F. LUMEN REDUCTION

PR1 Lumen Reduction to approximately 50% of standard output

PR2 Lumen Reduction to approximately 75% of standard output

G. DIMMING

DR DALI Dimming (1%) Remote only (EU only)

Not available in North America

H. OPTIONS

RE Remote Emergency System



CERCHIO™ - SUSPENDED

TECHNICAL DATA

LUMINAIRE

Code	958010	958020	958030	958040	958050	958110
Diameter (A)	36"	48"	60"	72"	84"	36"
Light Direction	Direct	Direct	Direct	Direct	Direct	Direct/Indirect
Power	39W	50W	68W	80W	95W	80W
Delivered lms	2691	3450	4665	5211	6517	6007
LPW	69	69	69	69	69	75
# of Sections	1	1	1	1	1	1
Suspension Points	3	3	3	4	4	3
Code	958120	958130	958140	958150		
Diameter (A)	48"	60"	72"	84"		
Light Direction	Direct/Indirect	Direct/Indirect	Direct/Indirect	Direct/Indirect		
Power	108W	135W	160W	190W		
Delivered lms	8100	10057	11994	12009		
LPW	75	75	75	75		
# of Sections	1	1	1	1		
Suspension Points	3	3	4	4		

APPROVALS



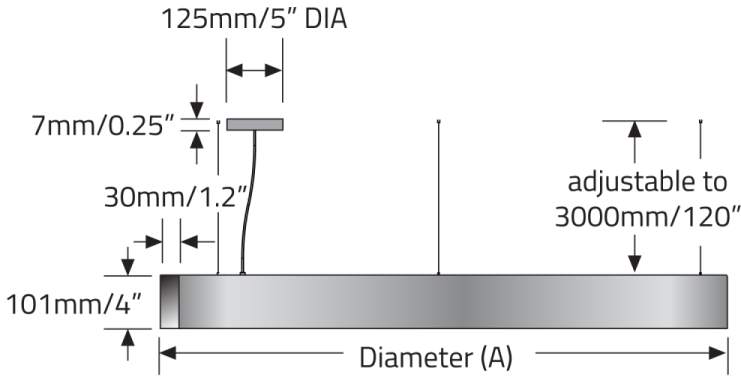
IP20



CERCHIO™ - SUSPENDED

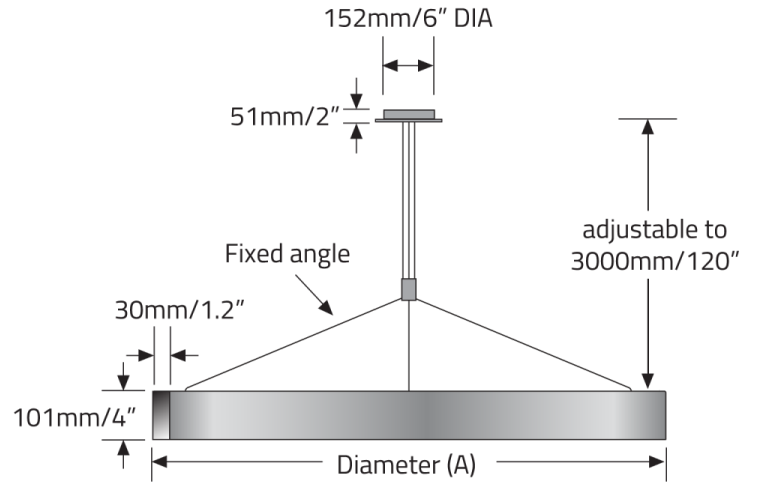
DIMENSIONAL DIAGRAMS

S1 Vertical Remote Driver



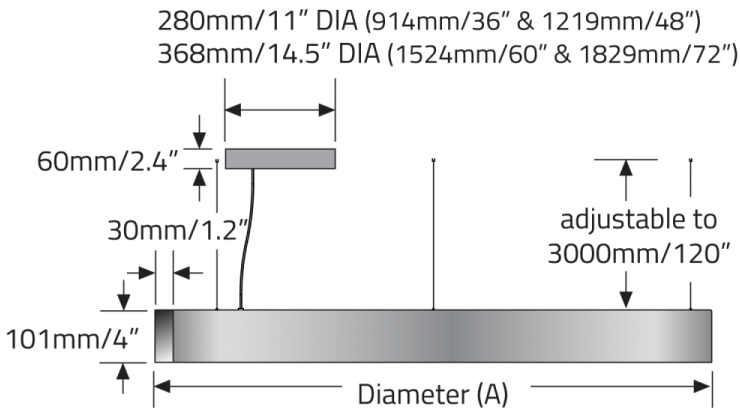
Direct/Indirect: 2 canopies required for 2134mm/84" only.

S2 Hub Remote Driver



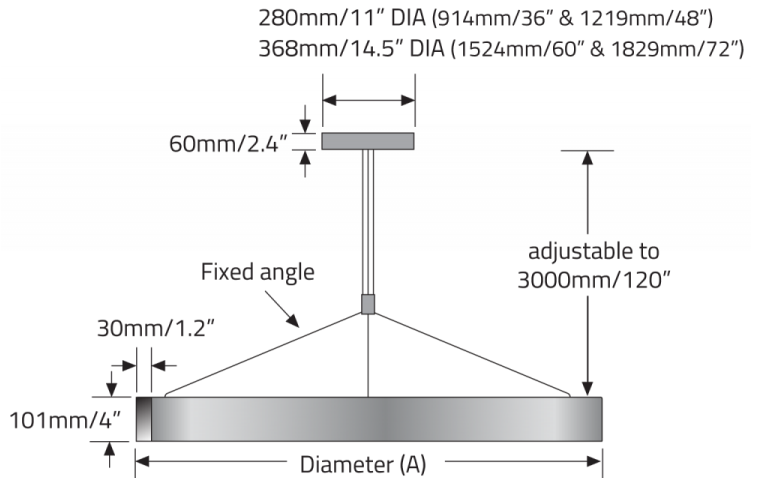
Direct: Available up to 1829mm/72" DIA only.
Direct/Indirect: Available up to 1219mm/48" DIA only.

S3 Vertical Integral Driver



Direct/Indirect: Available up to 1219mm/48" DIA only.

S4 Hub Integral Driver



Direct: Available up to 1829mm/72" DIA only.
Direct/Indirect: Available up to 1219mm/48" DIA only.