

CRISTAL LRG™ - INGROUND EXTERIOR

Project Name:

Fixture Type:

Fixture Code:

Quantities:

CRISTAL LRG™ - INGROUND EXTERIOR

GENERAL SPECIFICATION

Housing

Die-cast aluminum. Walk over 1000Kg/2200lbs.

External Screws

Stainless steel.

Lens

6mm/0.25" sandblasted glass with clear windows for LEDs.

Gaskets

One piece silicone.

Drivers

HPF, electronic for 120-277V (EU-240V). 0-10V dimming 120-277V.

Minimum Starting Temperature

-30°C.

Conduit entry

PG11 gland for 11mm/0.625" DIA cable.

Recessed housing

Molded polypropylene, gray, with stainless mounting trim. Specify as a separate line item.

Delivered Lumens

Delivered lumens and LPW based on 3000K (min 80 CRI).

OPTICS & FEATURES



Ext-Inground

CRISTAL LRG™ - INGROUND EXTERIOR

HOW TO ORDER

A. LUMINAIRE

810128 810128

810129 810129

810127 810127

B. CCT

30 3000K (min 80 CRI)

40 4000K (min 80 CRI)

C. RECESSED HOUSING (REQUIRED)

810902 Recessed Housing for Wall Installation

810903 Recessed Housing for Inground Installation

TECHNICAL DATA

LUMINAIRE

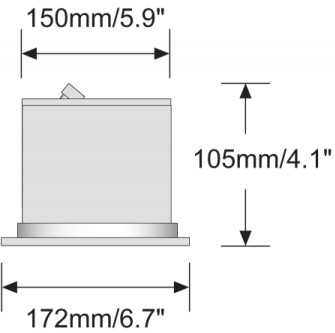
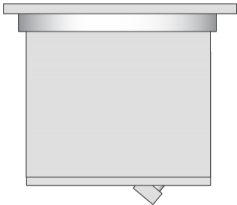
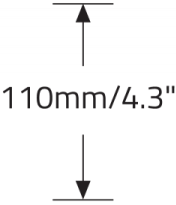
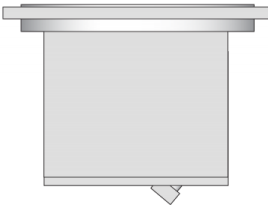
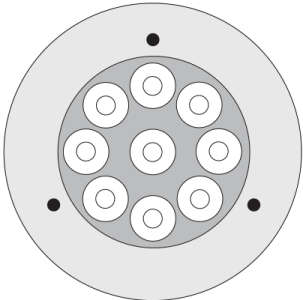
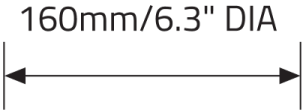
Code	810128	810129	810127
Power	16W	16W	16W
Type	Glass Only	Glass Only	Glass Only
Distribution	Wall	Inground 10°	Inground 36°
Delivered lms	892	1049	1049

APPROVALS

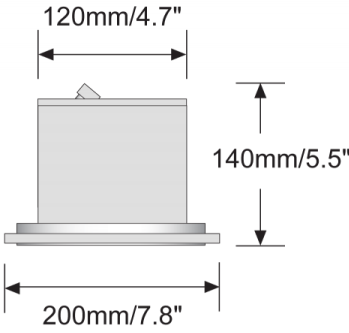


CRISTAL LRG™ - INGROUND EXTERIOR

DIMENSIONAL DIAGRAMS



Wall



Inground