



# CYLINDER EX™

## FULL SPECIFICATION SHEET



FIXTURE TYPE



FIXTURE CODE

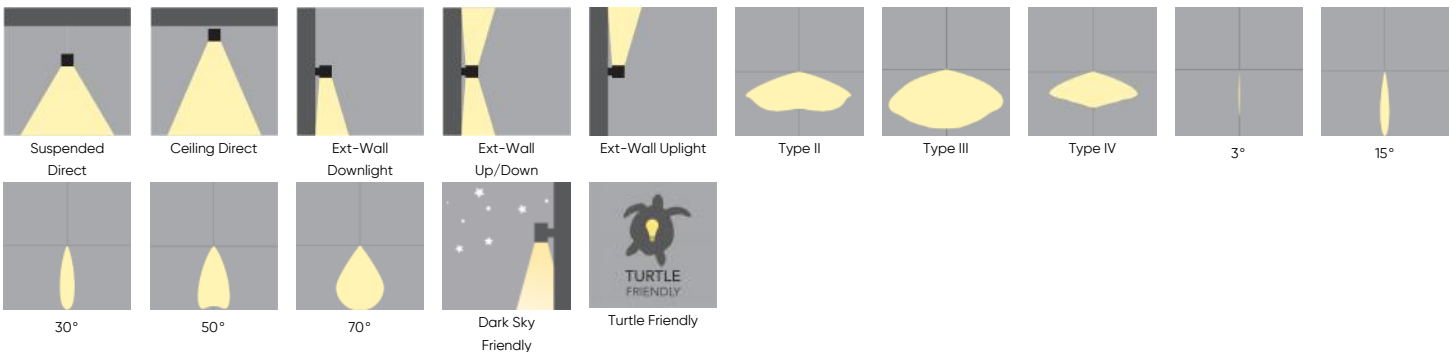


QUANTITIES

### 1 DESCRIPTION

The **CYLINDER EX** series advances exterior lighting utility with its precision-engineered adjustable optics, meticulously designed to focus light on critical areas like pathways and challenging installation spots. This functionality not only bolsters safety by illuminating essential zones but also enriches the scenic impact. Featuring a tiltable gimbal with +/- 30 ° pivot and 10 ° incremental locks on the 6" version, allowing for precise angling, **CYLINDER EX** incorporates ten advanced optics utilizing three LED technologies – Multi-lens Array, Chip on Board (COB), and Area Optics – to tackle diverse lighting challenges. The 6" diameter cylinder is offered in a suite of mounting options, including ceiling, stem, and wall mount with three bracket styles. The Classic bracket fits standard 4" electrical boxes, while the Narrow Full and Narrow Half brackets are designed for switch boxes, maintaining the cylinder's minimalist design. For installations where conduit wire routing is employed, a sleekly designed conduit accessory box is available, facilitating easy integration before or after conduit placement. Committed to ecological responsibility, **CYLINDER EX** is Dark Sky Friendly when the direct light option is paired with a CCT of 3000K or less. This ensures minimal light spill and skyglow, safeguarding the nocturnal habitat and contributing to a greener planet.

### 2 OPTICS & FEATURES



3 APPROVALS



4 GENERAL SPECIFICATION

**HOUSING**

Die-cast and extruded aluminum.

**LENS**

Clear glass.

**DRIVERS**

HPF, electronic for 120-277V (EU-240V).

**MOUNTING**

The Ceiling, Pendant and Wall Classic versions mount to a 4"x4" junction box (supplied by others).

The Wall Narrow versions mount to a 2"x4" switch box (supplied by others).

Conduit mount is an option for Wall and Ceiling versions, consult factory.

The pendant allows for a sway of up to 42 degrees in any direction.

**TURTLE FRIENDLY**

Amber (590nm) for Turtle Friendly compliance.

**HARDWARE**

Vandal proof hardware included.

**DELIVERED LUMENS**

Delivered lumens & LPW based on 4000K (min 80 CRI).

**IMPACT PROTECTION**

Shatterproof lens available with IK 10 rating, consult factory.

**EXTERNAL SCREWS**

Stainless steel.

**FINISH**

Powder coated.

**MINIMUM STARTING TEMPERATURE**

-30°C. (when equipped with the arctic driver)

**DARK SKY FRIENDLY**

Dark Sky Friendly if ordered with 3000K CCT and below. Direct only.

**BUG RATING (DIRECT LIGHT):**

Type II, III, : B1-U0-G1

Type IV: B3-U0-G0

**LENS**

Clear glass.

**REPORTED L70 @25°C (77°F)**

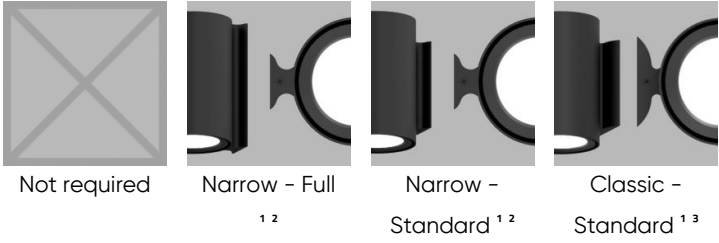
> 60,000 hrs

**SUSTAINABILITY**

Designed for on-site LED board, driver, and optic replacement. Contact the factory for maintenance documentation.

**5 DESIGN OPTIONS**

**MOUNTING BRACKET**



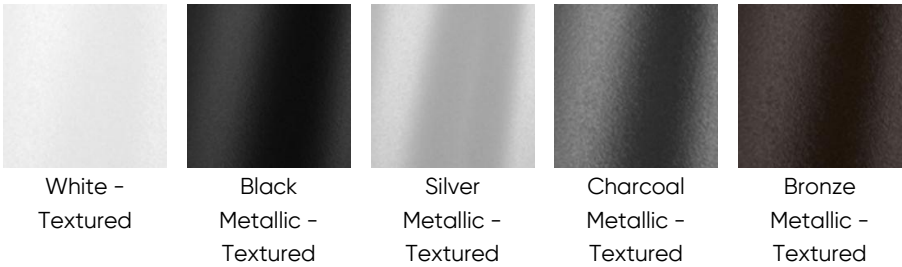
\* Mounting bracket finish to match fixture finish.  
<sup>1</sup> Only available with Wall mount version. <sup>2</sup> The Wall Narrow version mounts to a 2" x 4" switch box (supplied by others).  
<sup>3</sup> The Wall Classic version mounts to a 4" x 4" junction box (supplied by others).

**FIXTURE FINISH**



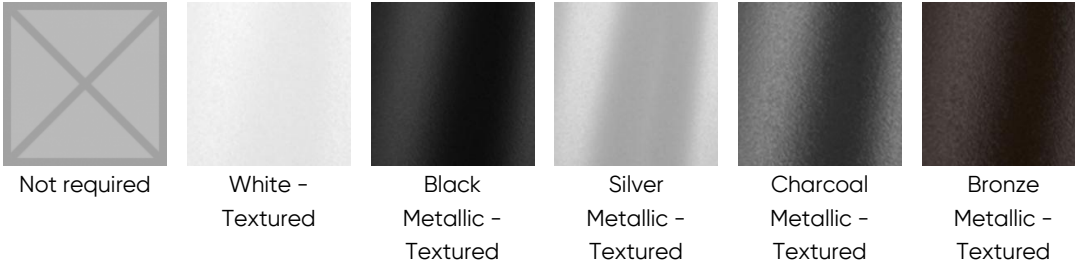
<sup>1</sup> Wood grain finishes may incur longer lead times and setup charges. Consult factory for details.

**BEZEL FINISH**



Shatterproof lens available, consult factory.

**CANOPY & STEM FINISH**



**6 HOW TO ORDER**

**1. LUMINAIRE**

**CYXW** Wall                              **CYXC** Ceiling                              **CYXP** Pendant <sup>1</sup>

Conduit mount is an option for wall and ceiling versions, consult factory.

<sup>1</sup> Pendant is stem mount only.

**2. DIAMETER**

**DR04** 4"                              **DR06** 6"

Tilttable head available on 6" diameter only.

**3. DIRECTION**

**DT1** Direct (10" housing) <sup>1 2</sup>                              **DT2** Direct/Indirect (12"/14" housing) <sup>3</sup>

<sup>1</sup> Available for Wall, Ceiling, and Pendant (10" tall housing for Direct). <sup>2</sup> Wall mount "direct only" can be installed pointing up or down.

<sup>3</sup> Available for Wall mount only. Direct/Indirect 4" diameter will have a 12" tall housing & 6" diameter will have a 14" tall housing.

**4. LIGHT SOURCE**

**DN01** LEDs / Multi-Array Optics <sup>1</sup>      **DN02** COB / Reflector

\* All data based on max output and nominal values. <sup>1</sup> Available for 6" diameter only.

**5. CRI**

**CR00** Not required (For Amber Light)      **CR80** CRI 80+

## 6. CCT

<b>CTA27</b> 2700K	<b>CTA30</b> 3000K	<b>CTA35</b> 3500K	<b>CTA40</b> 4000K
<b>CTA62</b> Amber (Turtle Friendly) <sup>1</sup>			

<sup>1</sup> Available for 6" diameter with LEDs / Multi-Array Optics and 50° direct distribution.

## 7. DISTRIBUTION DIRECT

<b>BAT2</b> Type II <sup>1</sup>	<b>BAT3</b> Type III <sup>1</sup>	<b>BAT4</b> Type IV <sup>1</sup>	<b>BA03</b> 3° <sup>2</sup>
<b>BA15</b> 15° <sup>3 4 5</sup>	<b>BA30</b> 30° <sup>3 4 5</sup>	<b>BA50</b> 50° <sup>3 4</sup>	<b>BA70</b> 70° <sup>3 5</sup>

<sup>1</sup> Available for 6" Direct (2000, 2500 and 3000 lumens), with LEDs / Multi-Array Optics distribution, not recommended for Indirect use.

<sup>2</sup> Available for 6" with LEDs / Multi-Array Optics distribution and Wall mount. There may be a +/- 250K variance in color temperature. The head is not adjustable. <sup>3</sup> Available for 6" with LEDs / Multi-Array Optics distribution. <sup>4</sup> Available for 6" with COB / Reflector.

<sup>5</sup> Available for 4" with COB / Reflector.

## 8. DISTRIBUTION INDIRECT

<b>BB00</b> Not required	<b>BB03</b> 3° <sup>1</sup>	<b>BB15</b> 15° <sup>2 3 4</sup>	<b>BB30</b> 30° <sup>2 3 4</sup>
<b>BB50</b> 50° <sup>2 3</sup>	<b>BB70</b> 70° <sup>2 4</sup>		

<sup>1</sup> Available for 6" with LEDs, Indirect, and Wall version only. There may be a +/- 250K variance in color temperature. The head is not adjustable. <sup>2</sup> Available for 6" with LEDs / Multi-Array Optics distribution. <sup>3</sup> Available for 6" with COB / Reflector.

<sup>4</sup> Available for 4" with COB / Reflector.

## 9. LUMENS DIRECT

<b>LMA0005</b> 59 lms <sup>1</sup>	<b>LMA0040</b> 400 lms <sup>2</sup>	<b>LMA0200</b> 2000 lms	<b>LMA0250</b> 2500 lms
<b>LMA0300</b> 3000 lms	<b>LMA0350</b> 3500 lms <sup>3</sup>	<b>LMA0400</b> 4000 lms <sup>4</sup>	

<sup>1</sup> Available for 3° Indirect distribution.

## 10. LUMENS INDIRECT

<b>LMB0000</b> Not required	<b>LMB0005</b> 59 lms <sup>1</sup>	<b>LMB0200</b> 2000 lms	<b>LMB0250</b> 2500 lms
<b>LMB0300</b> 3000 lms			

<sup>1</sup> Available for 3° Indirect distribution.

## 11. VOLTAGE

**V1** 120/277V                      **V2** 240V <sup>1</sup>

<sup>1</sup> Not available in North America.

## 12. DIMMING

**DA01** 0-10V Dimming 1.0%                      **DA11** 0-10V Dimming 1.0% - Arctic driver<sup>1 3</sup>                      **DA12** 0-10V Dimming 1.0% - Desert driver <sup>2 3</sup>                      **DA21** DALI Dimming 1.0% <sup>3</sup>

<sup>1</sup> Capable of operating at -30 °C (-22 °F) to ambient temperature. <sup>2</sup> Capable of operating at +50 °C (+122 °F) ambient temperature.

<sup>3</sup> Consult factory.

## 13. MOUNTING BRACKET

**MB0** Not required                      **MB1** Narrow - Full <sup>1 2</sup>                      **MB2** Narrow - Standard <sup>1 2</sup>                      **MB3** Classic - Standard <sup>1 3</sup>

\* Mounting bracket finish to match fixture finish.

<sup>1</sup> Only available with Wall mount version. <sup>2</sup> The Wall Narrow version mounts to a 2" x 4" switch box (supplied by others).

<sup>3</sup> The Wall Classic version mounts to a 4" x 4" junction box (supplied by others).

## 14. CONDUIT MOUNT

**CDM0** Not required                      **CDM1** Required <sup>1</sup>

<sup>1</sup> Consult factory.

## 15. SUSPENSION TYPE

**ST00** Not required                      **ST01** Rigid Stem Mount <sup>1</sup>                      **ST02** Swivel Stem Mount <sup>1</sup>

\* Custom lengths available; consult factory for details. <sup>1</sup> Only available with Pendant Mount.

## 16. SUSPENSION HEIGHT

**SL00** Not required                      **SL03** 3ft <sup>1</sup>

\* Stems will always be Black Metallic Textured finished. <sup>1</sup> Custom length available, consult factory.

### 17. FIXTURE FINISH

**FA01** White - Textured      **FA02** Black Metallic - Textured      **FA20** Silver Metallic - Textured      **FA27** Wood grain - Light Cherry <sup>1</sup>  
**FA28** Wood grain - Dark Walnut <sup>1</sup> **FA30** Wood grain - White Oak <sup>1</sup>      **FA46** Charcoal Metallic - Textured      **FA47** Bronze Metallic - Textured

<sup>1</sup> Wood grain finishes may incur longer lead times and setup charges. Consult factory for details.

### 18. BEZEL FINISH

**FB01** White - Textured      **FB02** Black Metallic - Textured      **FB20** Silver Metallic - Textured      **FB46** Charcoal Metallic - Textured  
**FB47** Bronze Metallic - Textured

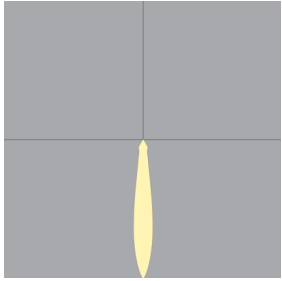
Shatterproof lens available, consult factory.

### 19. CANOPY & STEM FINISH

**FC00** Not required      **FC01** White - Textured      **FC02** Black Metallic - Textured      **FC20** Silver Metallic - Textured  
**FC46** Charcoal Metallic - Textured      **FC47** Bronze Metallic - Textured

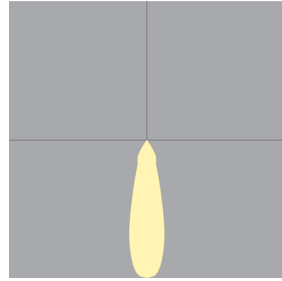
**7** PERFORMANCE DATA

**4" 15° BEAM, TYPE V - COB**



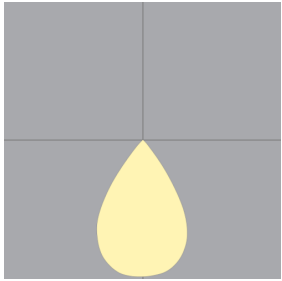
LUMENS	WATTS	LPW
2000	15	140
2500	19	135
3000	24	128
3500	29	123

**4" 30° BEAM, TYPE V - COB**



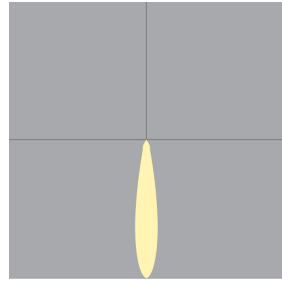
LUMENS	WATTS	LPW
2000	15	140
2500	19	134
3000	24	127
3500	29	122

**4" 70° BEAM, TYPE V - COB**



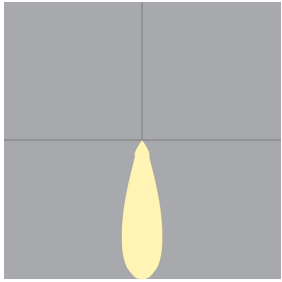
LUMENS	WATTS	LPW
2000	15	137
2500	19	131
3000	24	125
3500	29	119

**6" 15° BEAM, TYPE V - COB**



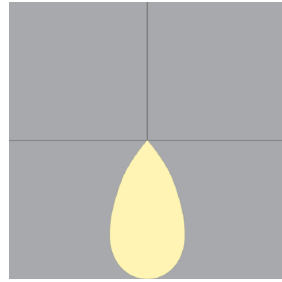
LUMENS	WATTS	LPW
2000	20	119
2500	23	117
3000	27	116
3500	31	114
4000	34	112

**6" 30° BEAM, TYPE V - COB**



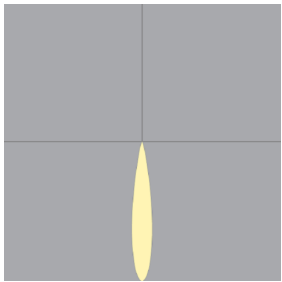
LUMENS	WATTS	LPW
2000	20	118
2500	23	116
3000	27	115
3500	31	113
4000	34	111

**6" 50° BEAM, TYPE V - COB**



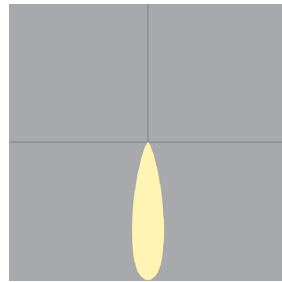
LUMENS	WATTS	LPW
2000	20	124
2500	23	122
3000	27	121
3500	31	119
4000	34	117

**6" 15° BEAM, TYPE V - LED**



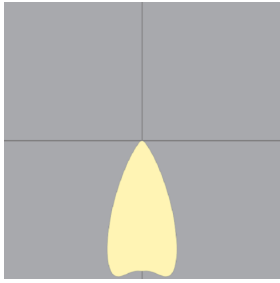
LUMENS	WATTS	LPW
2000	16	123
2500	22	120
3000	25	116
3500	32	115
4000	37	110

**6" 30° BEAM, TYPE V - LED**



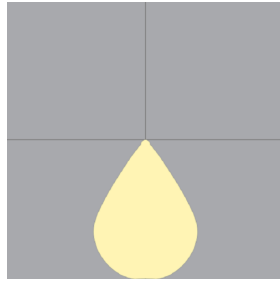
LUMENS	WATTS	LPW
2000	16	125
2500	22	122
3000	25	118
3500	32	115
4000	37	112

**6" 50° BEAM, TYPE V - LED**



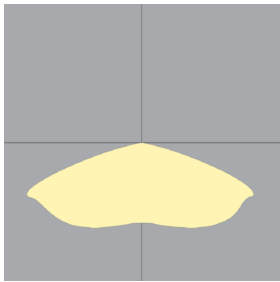
LUMENS	WATTS	LPW
2000	16	119
2500	22	116
3000	25	112
3500	32	109
4000	37	106

**6" 70° BEAM, TYPE V - LED**



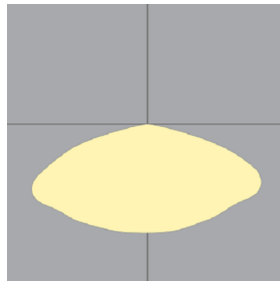
LUMENS	WATTS	LPW
2000	16	119
2500	22	117
3000	25	113
3500	32	109
4000	37	107

**6" TYPE II BEAM**



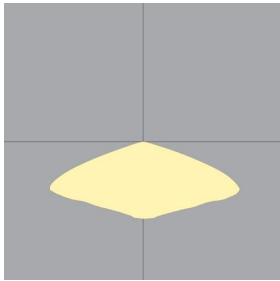
LUMENS	WATTS	LPW
2000	19	112
2500	27	103
3000	34	97

**6" TYPE III BEAM**



LUMENS	WATTS	LPW
2000	19	109
2500	27	100
3000	34	94

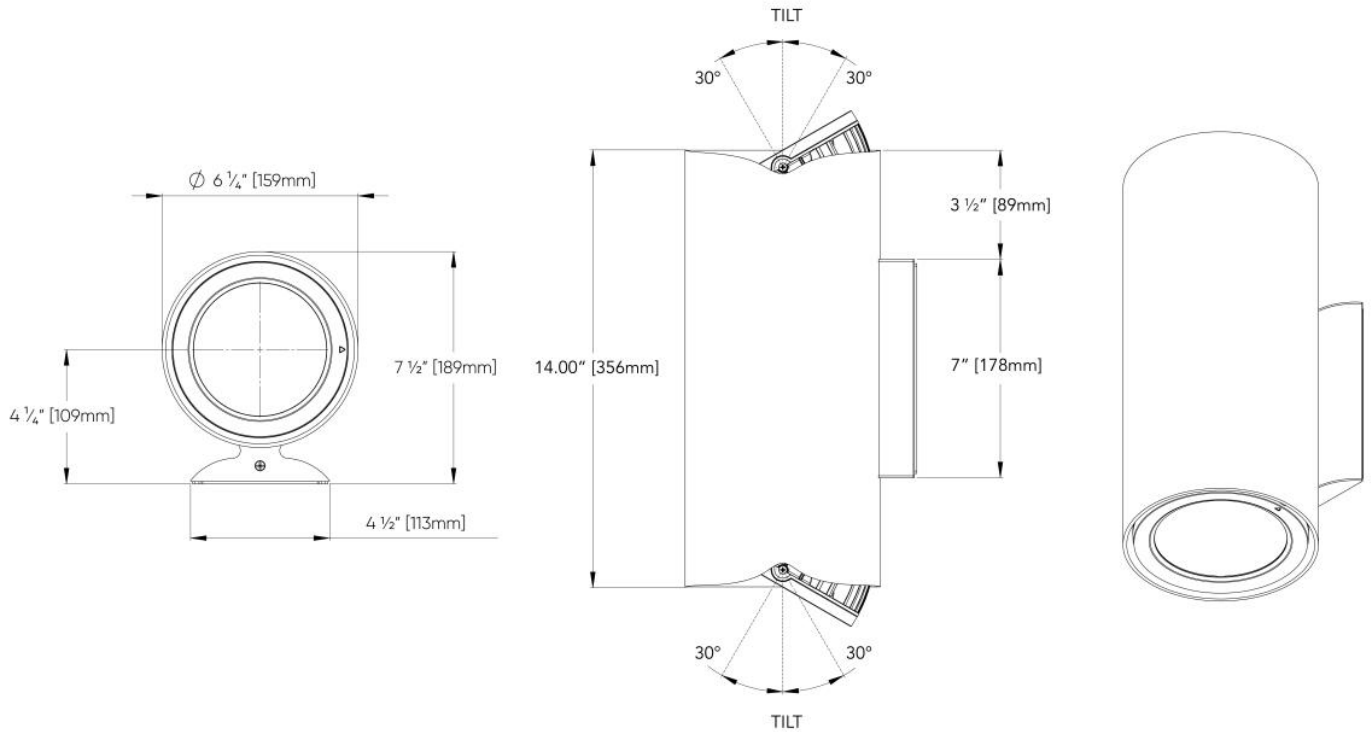
**6" TYPE IV BEAM**



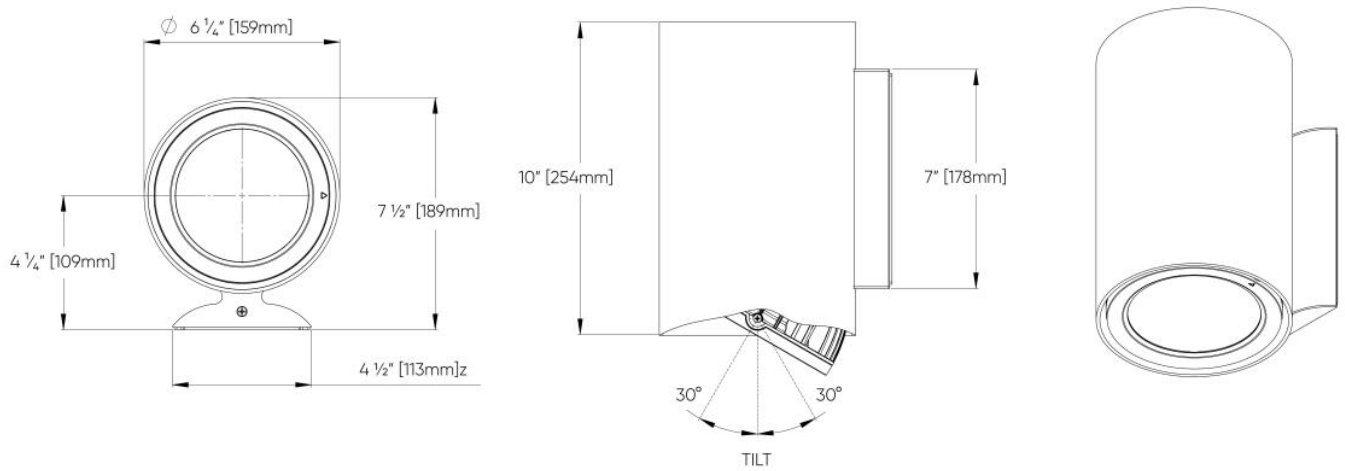
LUMENS	WATTS	LPW
2000	19	105
2500	27	96
3000	34	90

**8** DIMENSIONAL DIAGRAMS

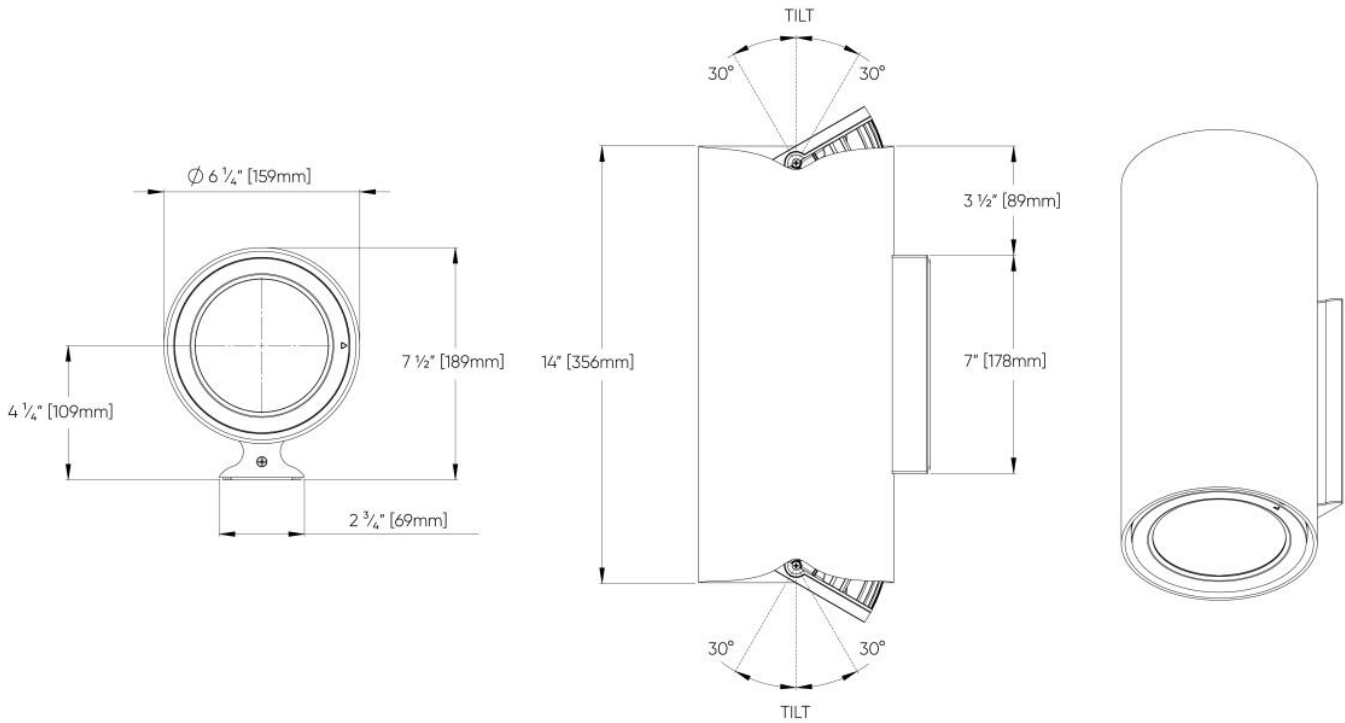
**6" - Full Size Classic Wall Mount Direct-Indirect Only**



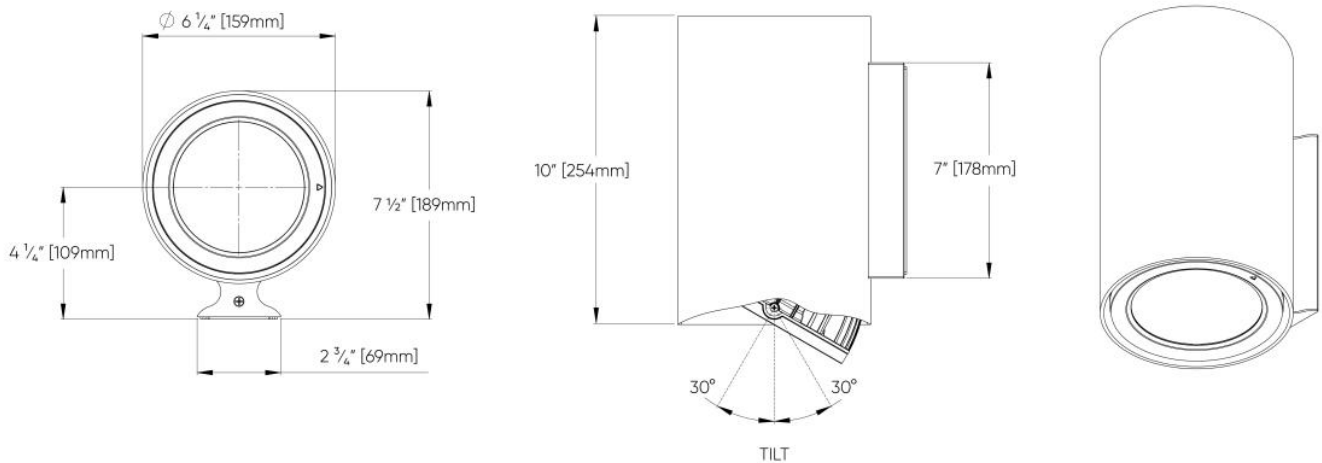
**6" - Classic Wall Mount Direct or Indirect only**



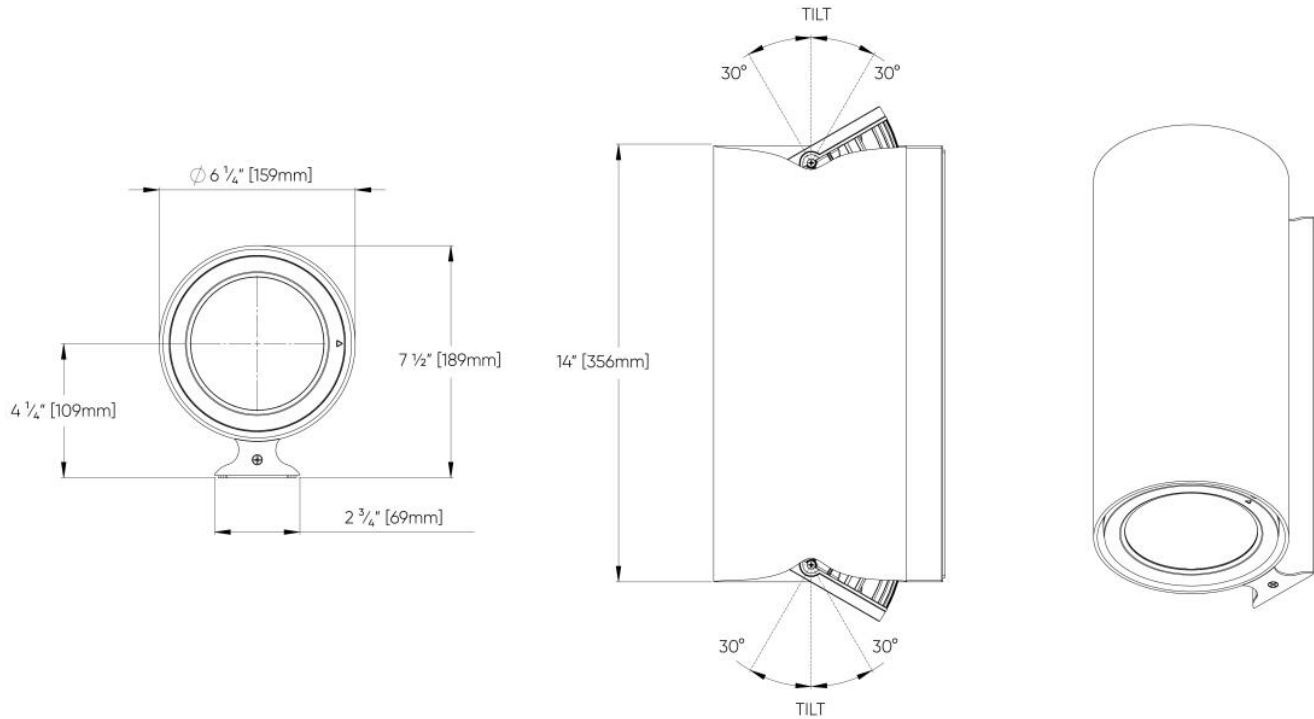
**6"- Full Size Short Narrow Wall Mount Direct-Indirect Only**



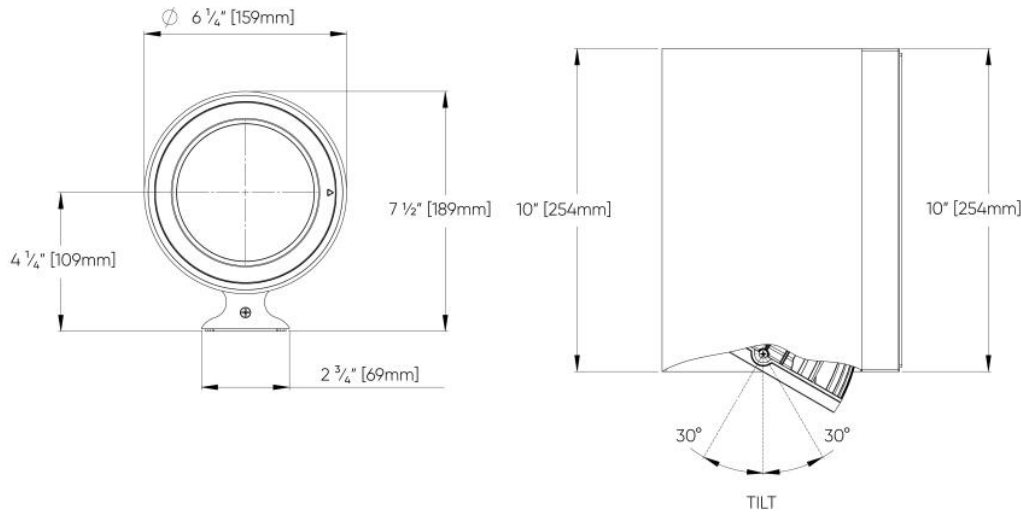
**6"- Narrow Wall Mount Direct/Indirect Only**



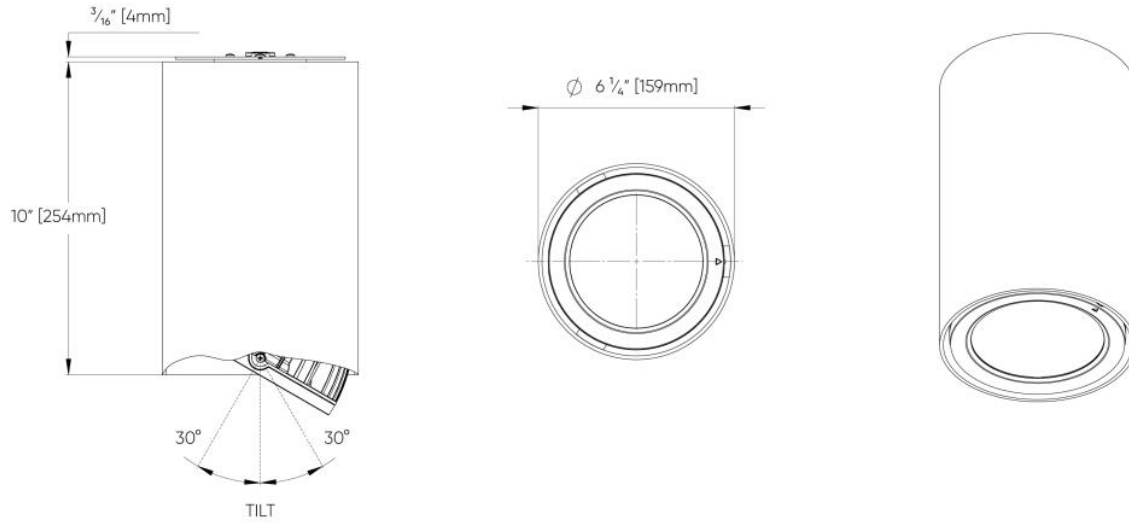
**6"- Full Size Tall Narrow Wall Mount Direct-Indirect**



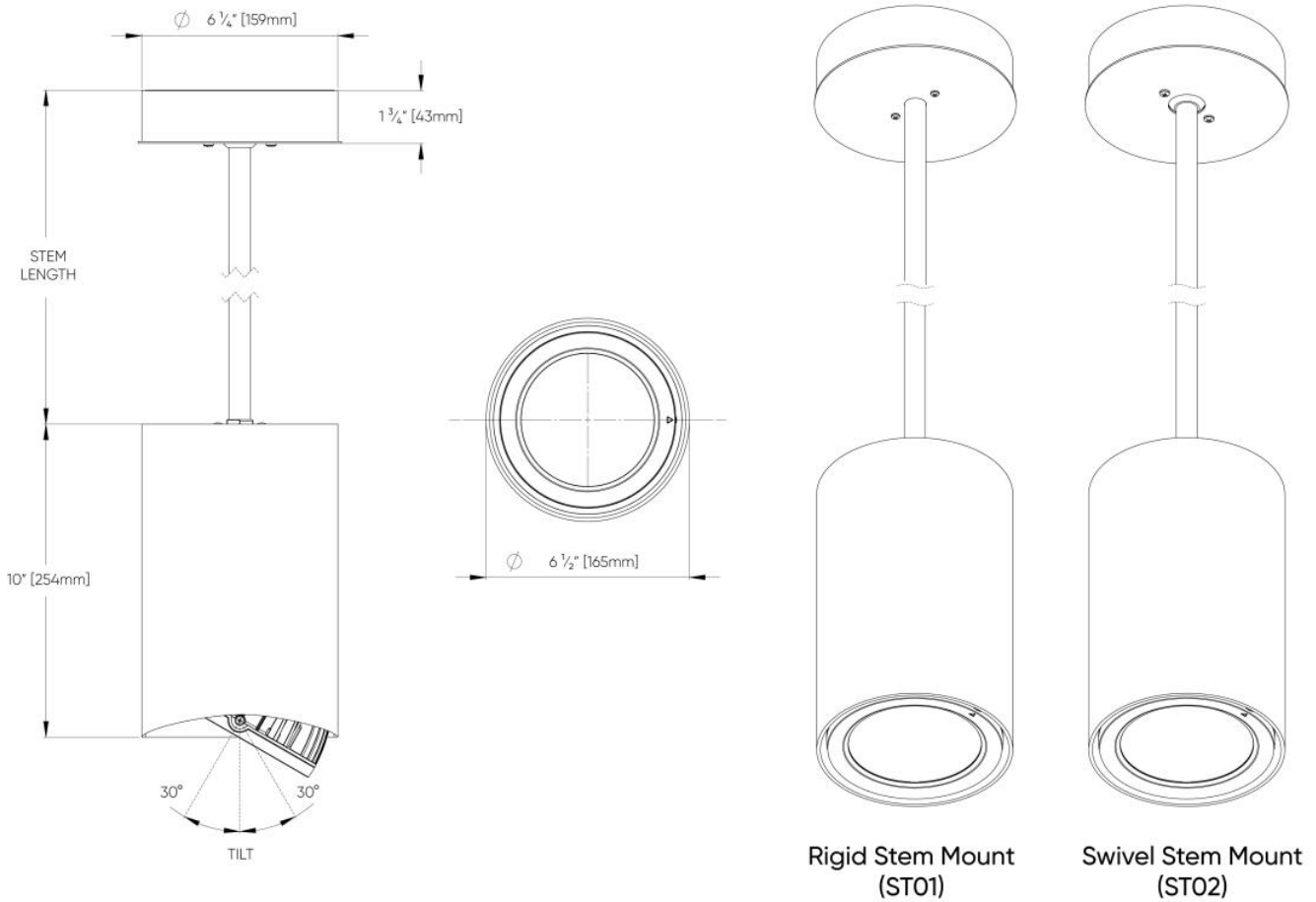
**6"- Half Size Narrow full Wall Mount Direct Only**



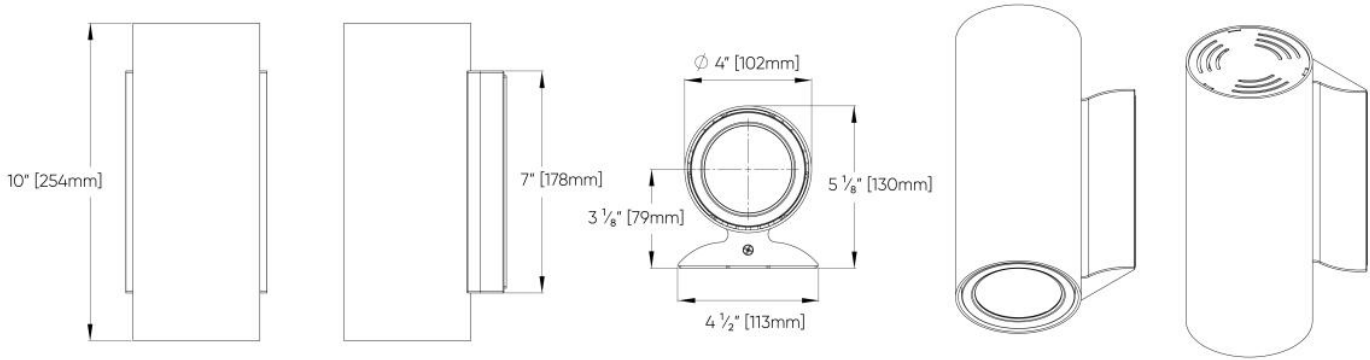
**6" - Ceiling Surface Mount Direct Only**



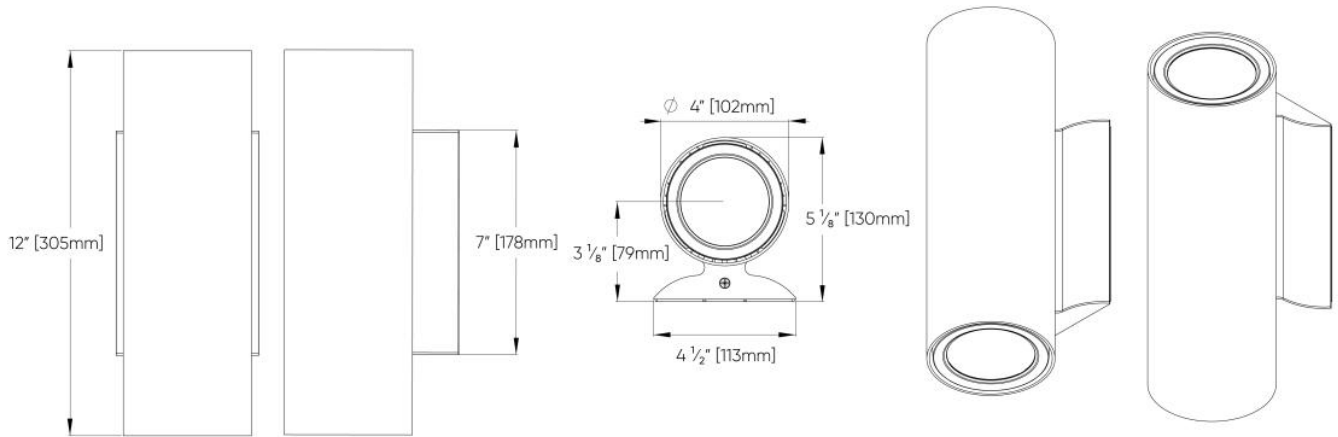
**6" - Pendant Stem Mount Direct Only**



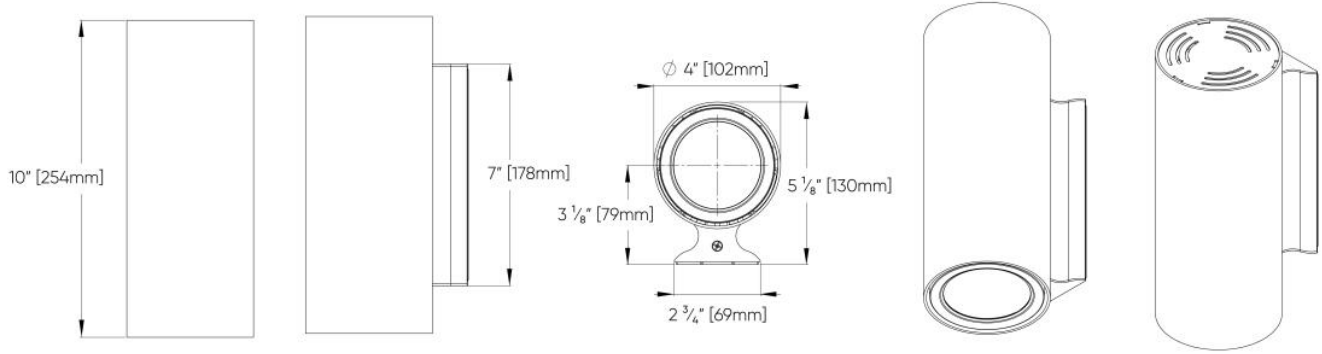
**4"- Standard Classic Wall Mount Direct Only**



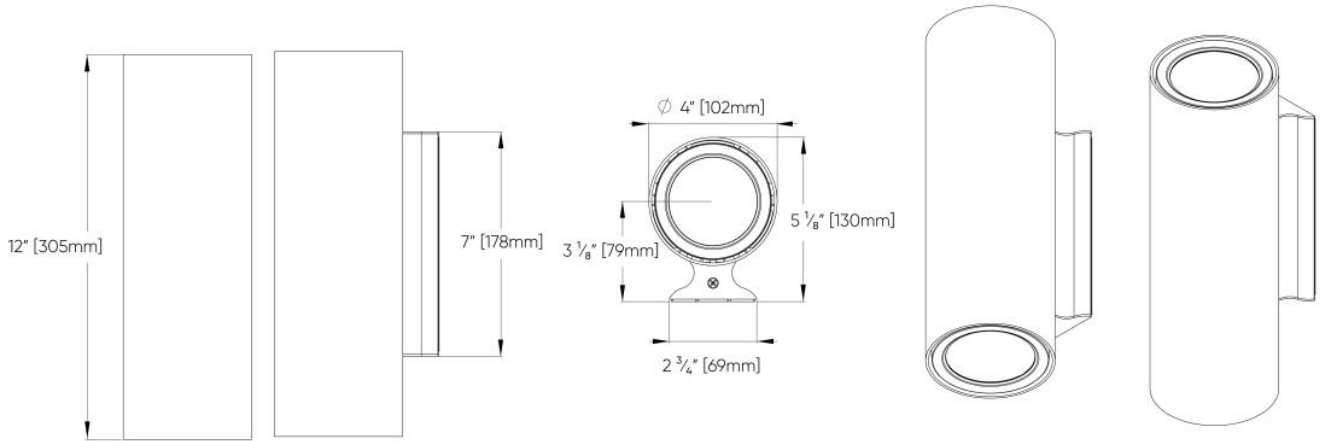
**4"- Standard Classic Wall Mount Direct-Indirect Only**



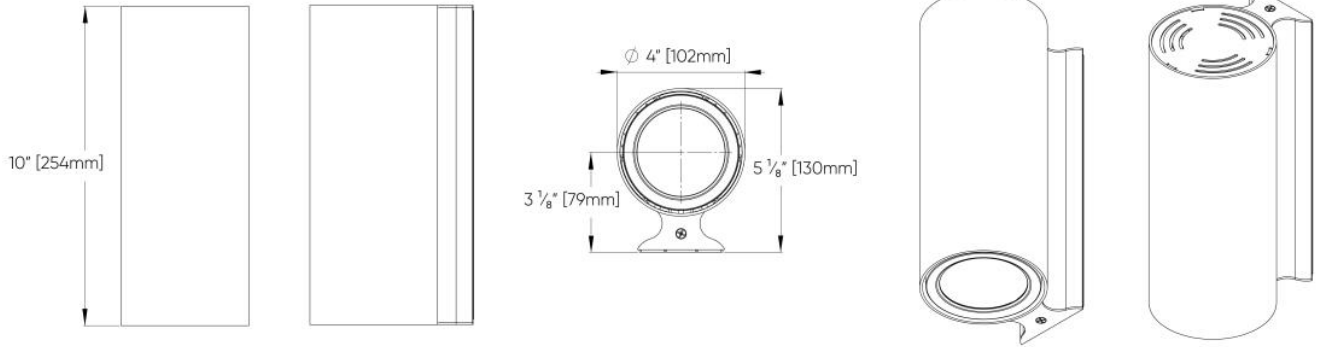
**4"- Standard Narrow Wall Mount Direct Only**



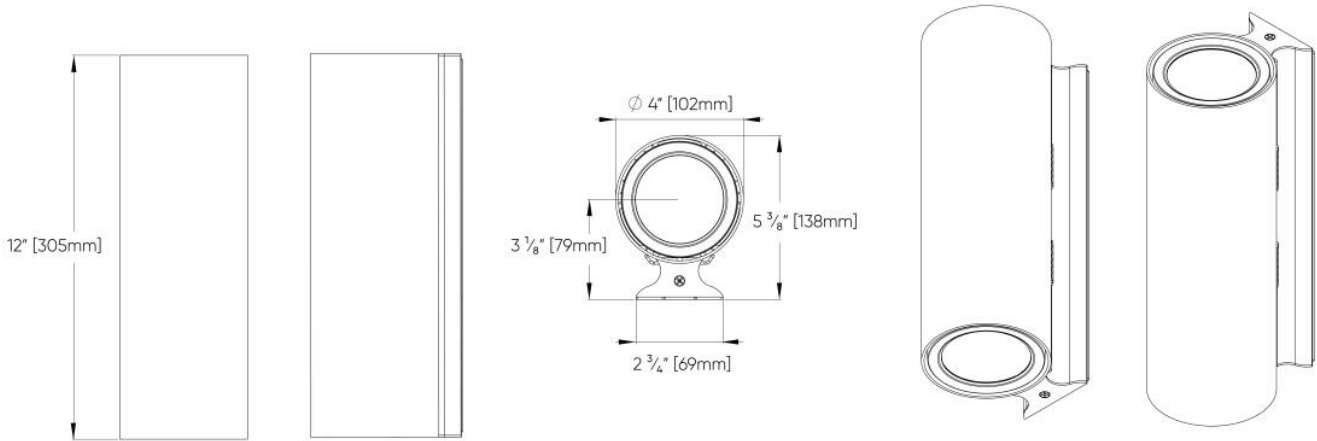
**4"- Standard Narrow Wall Mount Direct-Indirect Only**



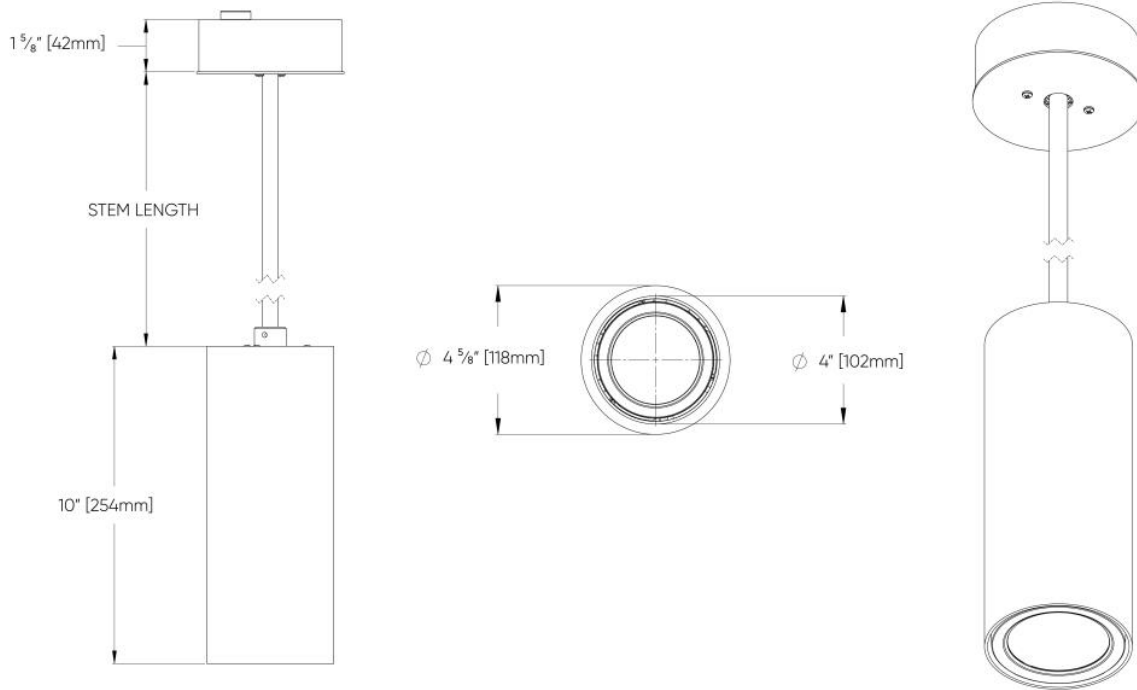
**4"- Full Size Narrow Wall Mount Direct Only**



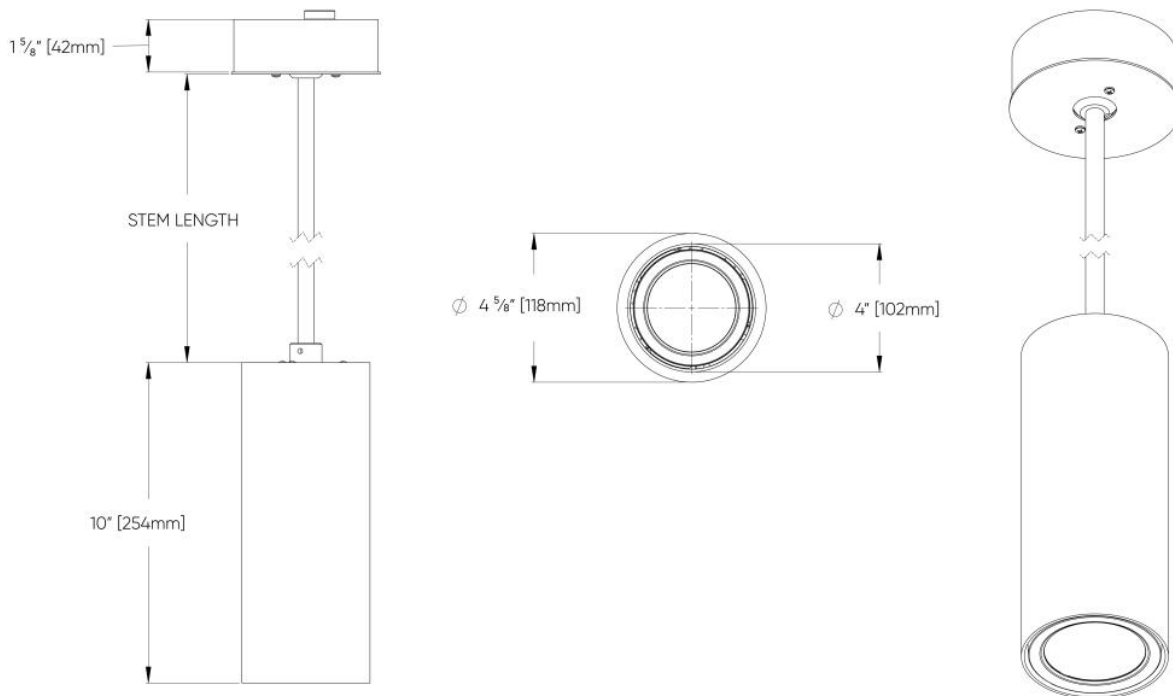
**4"- Full Size Narrow Wall Mount Direct-Indirect Only**



**4"- Pendent Rigid Stem Mount Direct Only**



**4"- Pendent Swivel Stem Mount Direct Only**



4"- Ceiling Mount Direct Only

