

CYLINDER EX™



Project Name:

Fixture Type:

Fixture Code:

Quantities:

A. LUMINAIRE

CYXW Wall

CYXC Ceiling

CYXP Pendant ¹

Conduit mount is an option for wall and ceiling versions, consult factory.

¹ Pendant is stem mount only.

B. DIAMETER

DR06 6"

C. DIRECTION

DT1 Direct 10" housing ^{1 2}

DT2 Direct/Indirect 14" housing ³

¹ Available for wall, ceiling, and pendant.

² Wall mount direct only can be installed pointing up or down.

³ Available for wall mount only.

Direct will have a 10" tall housing

Direct/Indirect will have a 14" tall housing

D. LIGHT SOURCE

DN01 LEDs / Multi-Array Optics

DN02 COB / Reflector

All data based on max output and nominal values.

E. CRI

CR00 Not required (For Amber Light)

CR80 CRI 80+

F. CCT

CTA27 2700K ¹

CTA30 3000K

CTA35 3500K

CTA40 4000K

CTA62 Amber (Turtle Friendly) ²

¹ Longer than normal lead times may apply, consult factory.

² Available for LED Direct only with 50° direct distribution.

G. DISTRIBUTION DIRECT

BAT2 Type II ¹

BAT3 Type III ¹

BA03 3° ²

BA15 15° ³

BA30 30° ³

BA50 50° ⁴

BA70 70° ³

¹ Available for Wall mount, Direct, and LEDs / Multi-Array Optics distribution, not recommended for Indirect use. Available with Direct lumens of 2000 and 3000, not 4000.

² Available for LEDs / Multi-Array Optics distribution and Wall mount. There may be a +/- 250K variance in color temperature. The head is not adjustable.

³ Available for LEDs / Multi-Array Optics distribution.

⁴ Available for LEDs / Multi-Array Optics distribution and COB / Reflector.



CYLINDER EX™

H. DISTRIBUTION INDIRECT

BB00 Not required	BB03 3° ¹	BB15 15° ²	BB30 30° ²
BB50 50° ³	BB70 70° ²		

¹ Available for LEDs, Indirect and Wall version only. There may be a +/- 250K variance in color temperature. The head is not adjustable.

² Available for LEDs / Multi-Array Optics distribution.

³ Available for LEDs / Multi-Array Optics distribution and COB / Reflector.

I. LUMENS DIRECT

LMA0005 59 lms ¹	LMA0040 400 lms ²	LMA0200 2000 lms	LMA0300 3000 lms
LMA0400 4000 lms ³			

¹ Available for 3° Direct distribution.

² Available for Amber (Turtle Friendly) light.

³ Available for Direct only, 15°, 30°, 50°, and 70°.

J. LUMENS INDIRECT

LMB0000 Not required	LMB0005 59 lms ¹	LMB0200 2000 lms	LMB0300 3000 lms
-----------------------------	------------------------------------	-------------------------	-------------------------

¹ Available for 3° Indirect distribution.

K. VOLTAGE

V1 120/277V	V2 240V ¹
--------------------	-----------------------------

¹ Not available in North America

L. DIMMING

DA01 0-10V Dimming 1.0%	DA11 0-10V Dimming 1.0% - Arctic driver ^{1 3}	DA12 0-10V Dimming 1.0% - Desert driver ^{2 3}	DA21 DALI Dimming 1.0% ³
--------------------------------	---	---	--

¹ Capable of operating at -30°C (-22°F) to ambient temperature

² Capable of operating at +50°C (+122°F) ambient temperature

³ Consult factory

M. MOUNTING BRACKET

MB0 Not required	MB1 Narrow - Full ^{1 2}	MB2 Narrow - Standard ²	MB3 Classic - Standard ³
-------------------------	---	---	--

* Mounting bracket finish to match fixture finish.

¹ Only available with Direct/Indirect

² The Wall Narrow versions mount to a 2"x4" switch box (supplied by others).

³ The Wall Classic version mount to a 4"x4" junction box (supplied by others).

N. SUSPENSION (STEM MOUNT)

SL00 Not required	SL03 3ft
--------------------------	-----------------

Stems will always be Black Matallic Textured finished. Custom lengths available, consult factory for details.



CYLINDER EX™

O. FIXTURE FINISH

FA01 White

FA02 Black Metallic - Textured

FA20 Silver Metallic - Textured

FA27 Wood grain - Light Cherry ¹

FA28 Wood grain - Dark Walnut ¹

FA46 Charcoal Metallic - Textured

FA47 Bronze Metallic - Textured

¹ Longer than normal lead times may apply consult factory.

P. BEZEL FINISH

FB01 White

FB02 Black Metallic - Textured

FB20 Silver Metallic - Textured

FB46 Charcoal Metallic - Textured

FB47 Bronze Metallic - Textured

Shatterproof lens available, consult factory.

Q. CANOPY & STEM FINISH

FC00 Not required

FC01 White

FC02 Black Metallic - Textured

FC20 Silver Metallic - Textured

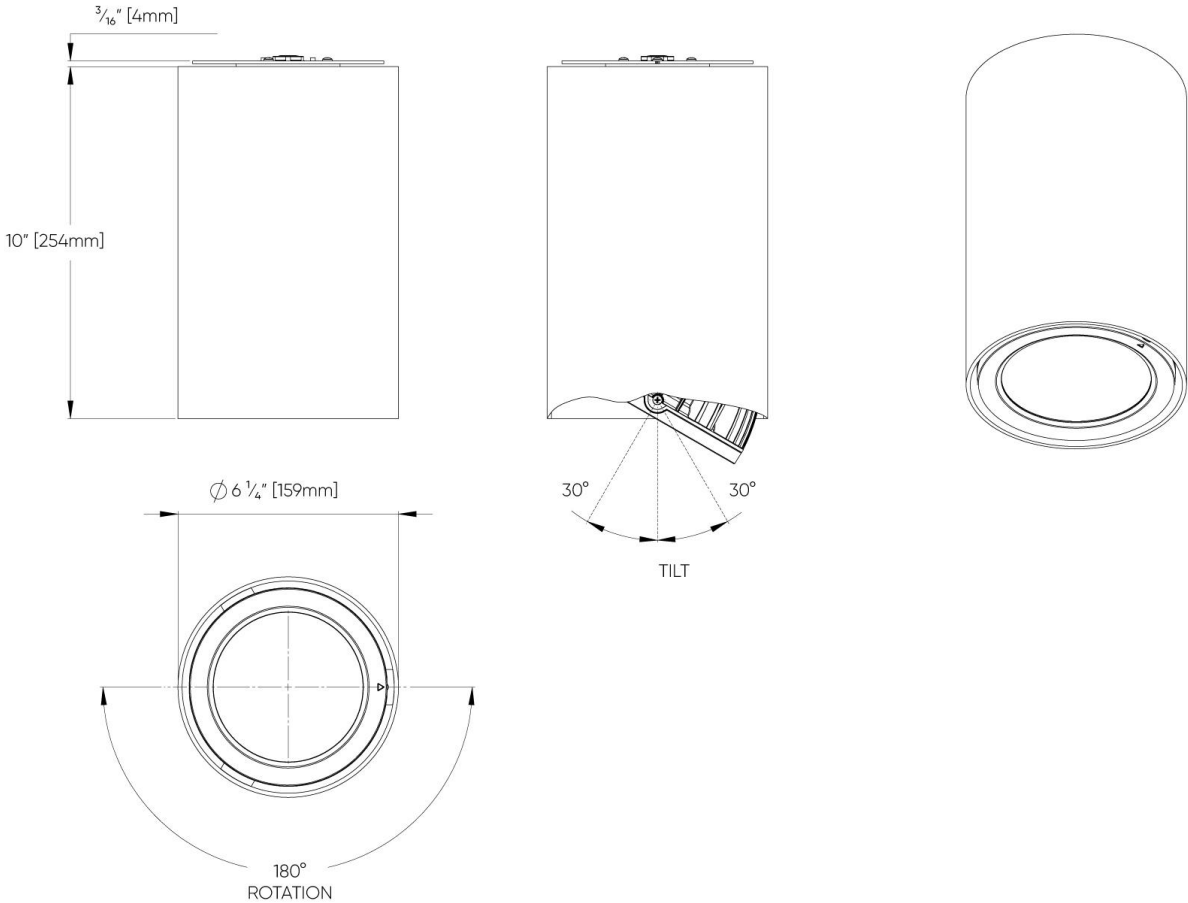
FC46 Charcoal Metallic - Textured

FC47 Bronze Metallic - Textured

CYLINDER EX™

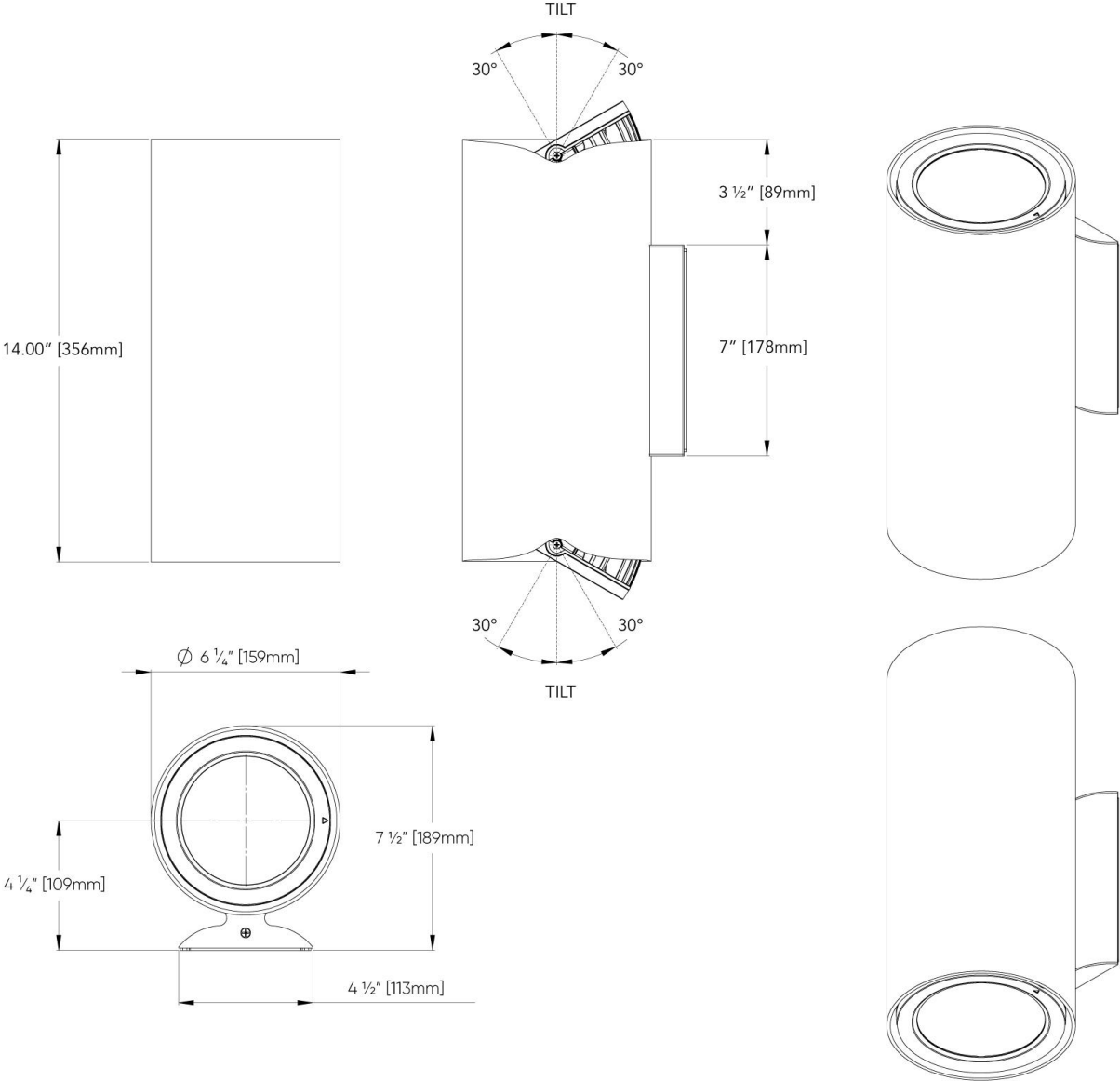
DIMENSIONAL DIAGRAMS

6" - Ceiling Surface Mount Direct Only



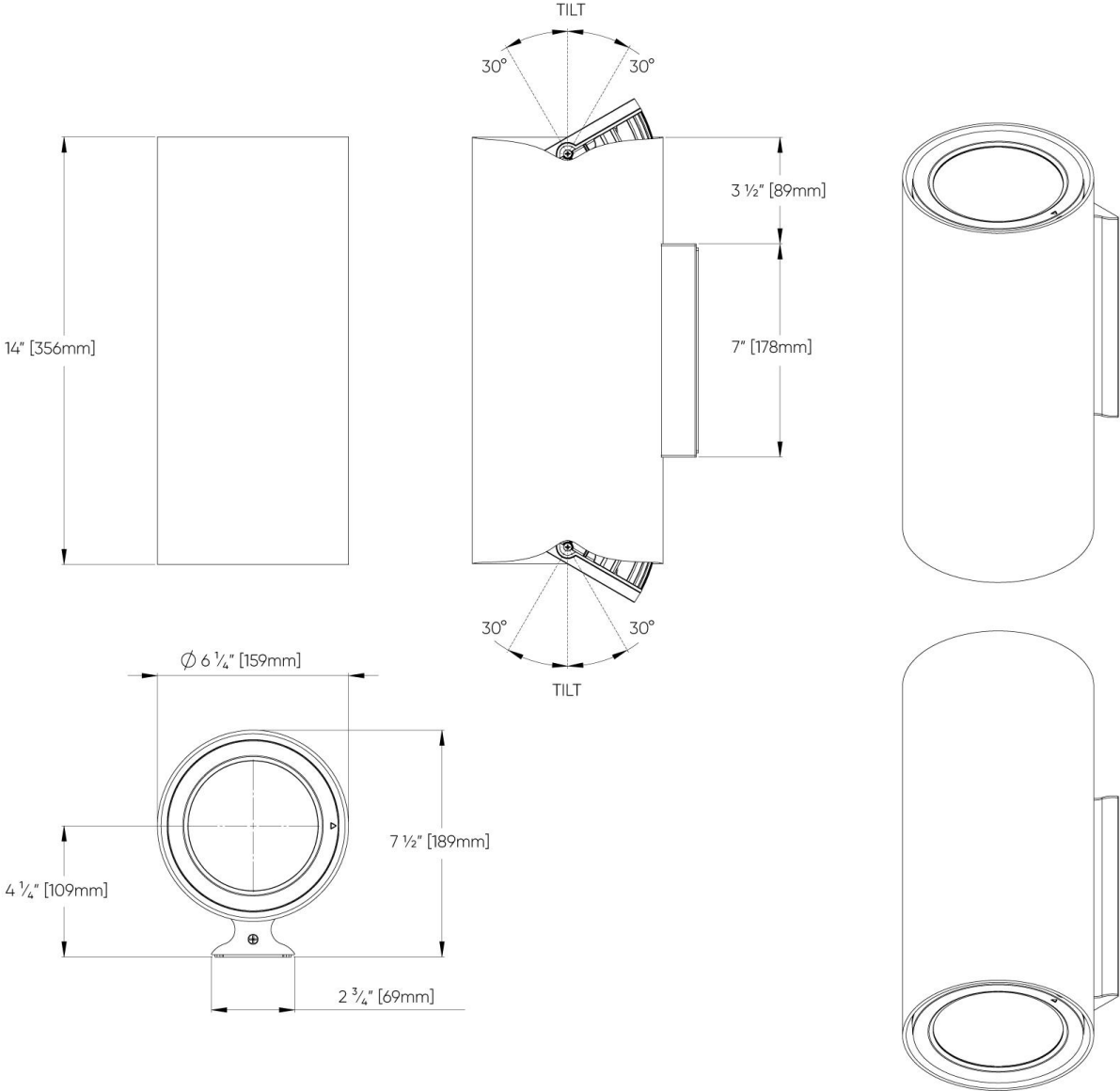
CYLINDER EX™

6"- Full Size Classic Wall Mount Direct-Indirect Only



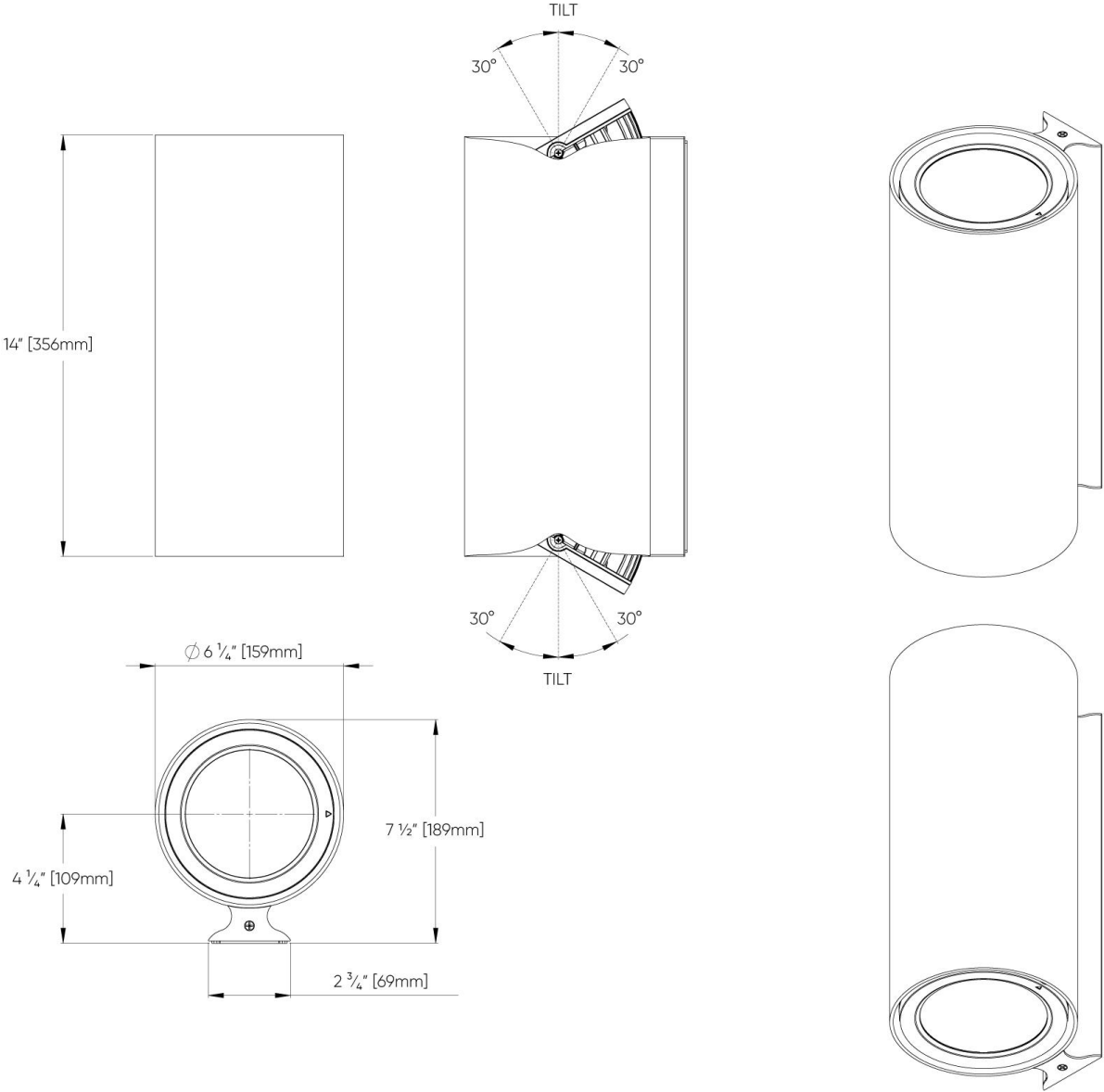
CYLINDER EX™

6" - Full Size Short Narrow Wall Mount Direct-Indirect Only



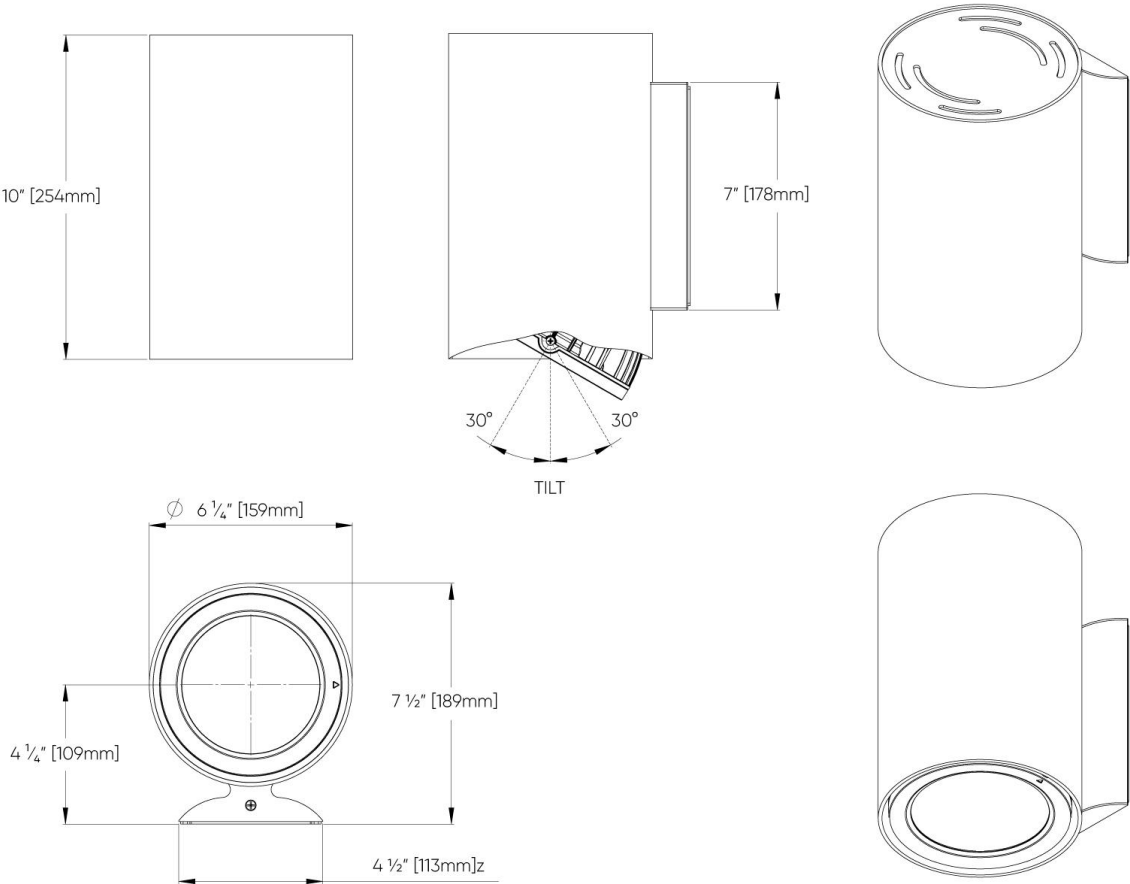
CYLINDER EX™

6" - Full Size Tall Narrow Wall Mount Direct-Indirect



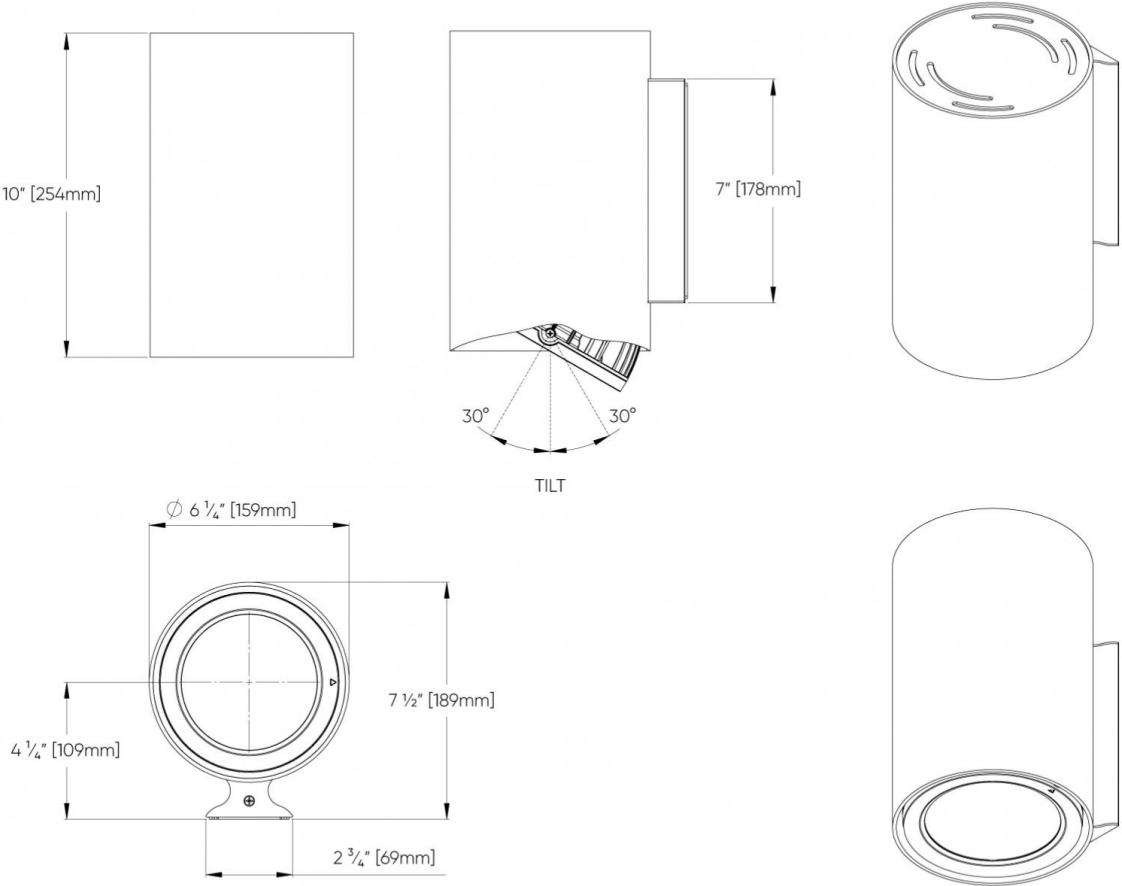
CYLINDER EX™

6" - Classic Wall Mount Direct or Indirect only



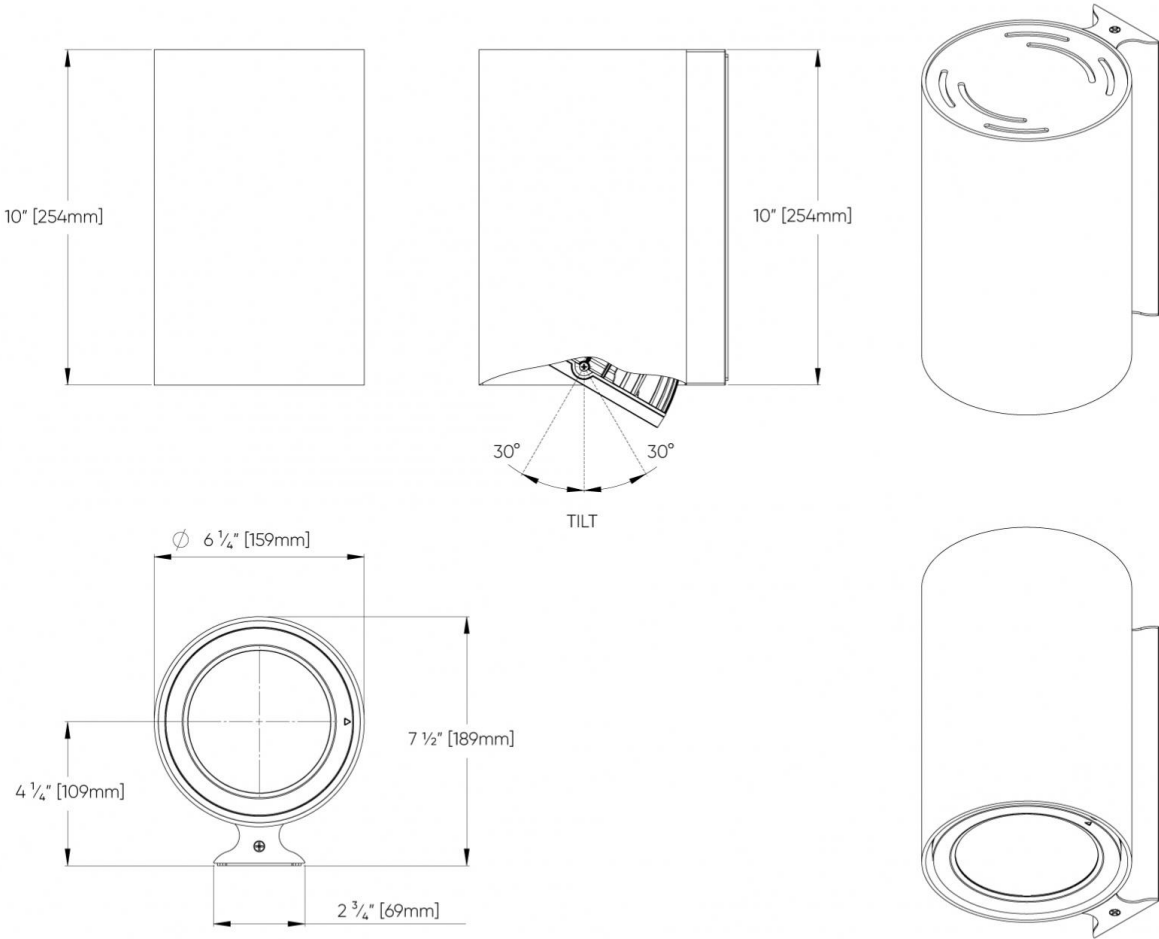
CYLINDER EX™

6" - Narrow Wall Mount Direct/Indirect Only



CYLINDER EX™

6" - Half Size Narrow full Wall Mount Direct Only



CYLINDER EX™

6" - Pendant Stem Mount Direct Only

