

CYLINDER™



Project Name:

Fixture Type:

Fixture Code:

Quantities:

A. LUMINAIRE

CYLC Ceiling

CYLP Pendant ¹

¹ Stem mount

B. DIAMETER

DR06 6"

C. DIRECTION

DT1 Direct

D. LIGHT SOURCE

DN01 LEDs / Multi-Array Optics

DN02 COB / Reflector

All data based on max output and nominal values.

E. CRI

CR80 CRI 80+

F. CCT

CTA27 2700K ¹

CTA30 3000K

CTA35 3500K

CTA40 4000K

¹ Longer than normal lead times may apply, consult factory.

G. DISTRIBUTION

BA15 15° ¹

BA30 30° ¹

BA50 50° ²

BA70 70° ¹

¹ Available for LEDs / Multi-Array Optics distribution only.

² Available for LEDs / Multi-Array Optics distribution and COB / Reflector. 50° distribution with COB is UGR19 compliant.

H. LUMENS

LMA0200 2000 lms

LMA0300 3000 lms

LMA0400 4000 lms

I. VOLTAGE

V1 120/277V

V2 240V ¹

¹ Not available in North America

J. DIMMING

DA01 0-10V Dimming 1.0%

DA21 DALI Dimming 1.0% ¹

¹ Consult factory



CYLINDER™

K. SUSPENSION (STEM MOUNT)

SL00 Not required

SL03 3ft

Stems will always be Black Metallic Textured finished. Custom lengths available, consult factory.

L. FIXTURE FINISH

FA01 White

FA02 Black Metallic - Textured

FA20 Silver Metallic - Textured

FA27 Wood grain - Light Cherry ¹

FA28 Wood grain - Dark Walnut ¹

FA46 Charcoal Metallic - Textured

FA47 Bronze Metallic - Textured

¹ Longer than normal lead times may apply, consult factory.

M. BEZEL FINISH

FB01 White

FB02 Black Metallic - Textured

FB20 Silver Metallic - Textured

FB46 Charcoal Metallic - Textured

FB47 Bronze Metallic - Textured

N. CANOPY & STEM FINISH

FC00 Not required

FC01 White

FC02 Black Metallic - Textured

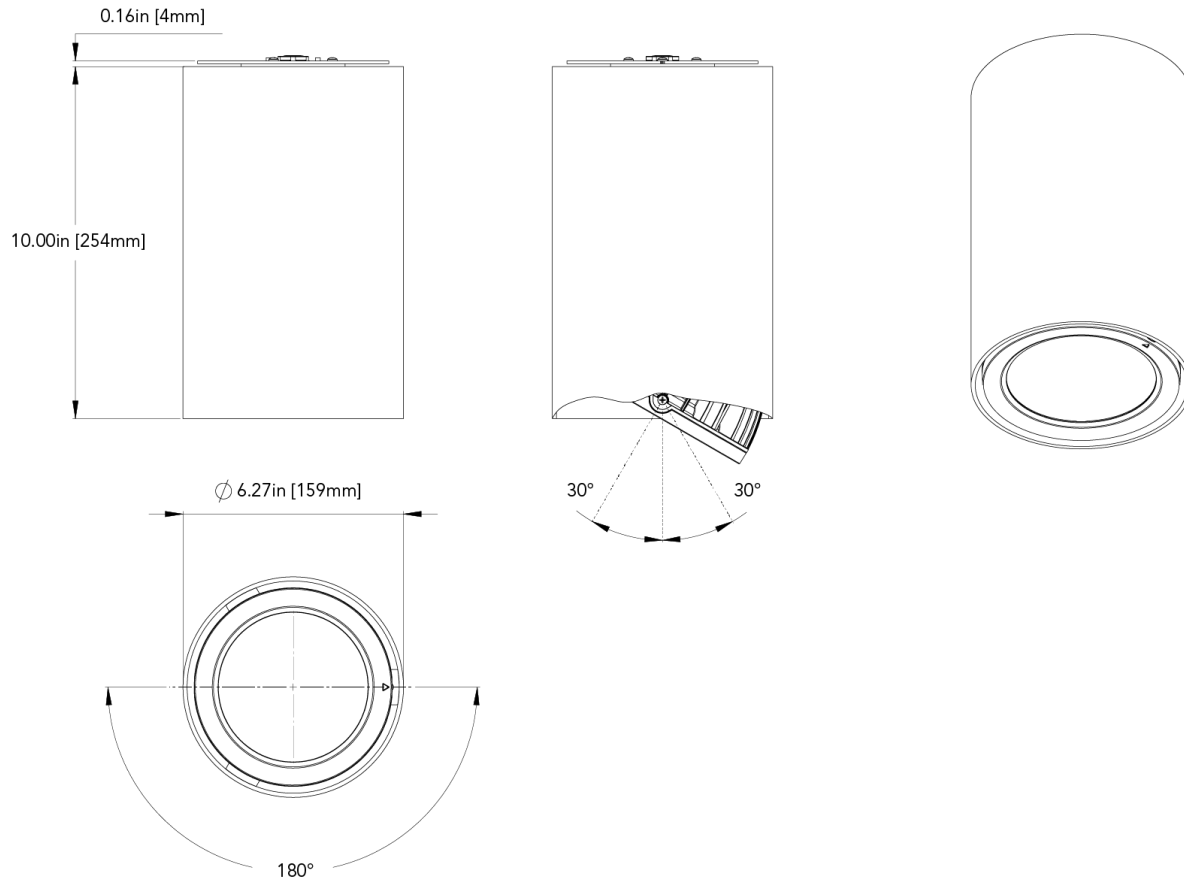
FC20 Silver Metallic - Textured

FC46 Charcoal Metallic - Textured

FC47 Bronze Metallic - Textured

DIMENSIONAL DIAGRAMS

6"- Ceiling Surface Mount Direct Only



6" - Pendant Stem Mount Direct Only

