



CYLINDRA™

FULL SPECIFICATION SHEET



FIXTURE TYPE



FIXTURE CODE

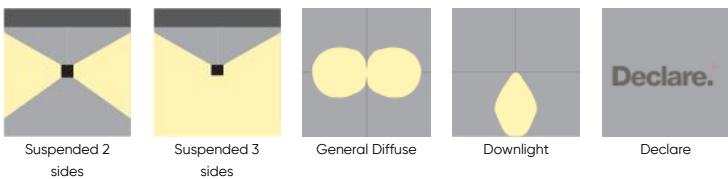


QUANTITIES

1 DESCRIPTION

CYLINDRA is a high-performing cylinder offering 8 sizes with powerful light levels for general illumination. For a light boost, add the Xacara downlight module. The simple neutral shape and dual functionality make **CYLINDRA** versatile for a range of applications. Capable of hitting highs of upto 11,300 lumens, this performant fixture is a versatile option for a variety of spaces. For additional decorative options, an end diffuser lens with decorative claws is also available to further enhance the look of the luminaire.

2 OPTICS & FEATURES



3 APPROVALS



4 GENERAL SPECIFICATION

BODY AND TRIM

Steel and aluminum.

POWER CABLE

Silver braided.

DRIVER

HFP for 120-277V (EU-240V), 0-10V, 1% dimming standard. The driver is integral to the canopy.

FINISH

Canopy and tube suspension, white powder coated.

REMOTE EMERGENCY

Emergency option provides a 1.5 hour (3 hours for EU) emergency lighting facility. The remote system includes the inverter module, NiCad batteries and a remote wall/ceiling LED charge indicator and test switch (NA only) Maximum distance between wall/ceiling plate and luminaire is 4.5m/15'. Test switch fits a single gang box (not supplied).

REPORTED L70 @25°C(77°F)

> 50,000.

SUSTAINABILITY

Designed for on-site LED board, driver, and optic replacement. Contact the factory for maintenance documentation.

SUSPENSION

One stainless steel aircraft cable.

FINIALS

Cylindrical buttons (CB), brushed stainless steel.

MECHANICAL

Mounts directly to or over an electrical junction box (by others - North America only).

SENSORS

Consult factory regarding sensor compatibility.

DELIVERED LUMENS

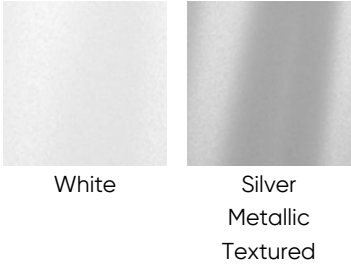
Delivered lumens & LPW based on 3000K (min 80 CRI) for White LEDs only.

APPROVALS

Damp rated.

5 DESIGN OPTIONS

FINISH



Not applicable to 421000 and 421100.

6 HOW TO ORDER

1. LUMINAIRE

421000 6" (DIA), 30" (H), 5000 lms **421001** 8" (DIA), 30" (H), 5200 lms **421002** 10" (DIA), 30" (H), 5400 lms **421003** 12" (DIA), 30" (H), 5700 lms
421100 6" (DIA), 51" (H), 10000 lms **421101** 8" (DIA), 52" (H), 10400 lms **421102** 10" (DIA), 52" (H), 10800 lms **421103** 12" (DIA), 52" (H), 11300 lms

2. CRI

CR80 CRI 80+ **CR90** CRI 90+

3. CCT/COLOR

27 2700K **30** 3000K **35** 3500K **40** 4000K
RD Red **GN** Green **BL** Blue

4. STEM SUSPENSION OPTIONS

TS1 18" Stem Suspension (white) **TS2** 24" Stem Suspension (white) **TS3** 30" Stem Suspension (white) **TS4** 36" Stem Suspension (white)

By default, an aircraft cable with power cord is provided unless a stem option is chosen.

5. DIRECT LIGHT OPTIONS

X1 Xacara Direct Light 26W LED 3000K (2286lm delivered) **X2** Xacara Direct Light 26W LED 3500K (2341lm delivered) **X3** Xacara Direct Light 26W LED 4000K (2378lm delivered)

6. DOWNLIGHT FINISH (FOR X1, X2 OR X3 OPTION ONLY)

WH White **MS** Silver Metallic Textured

Not applicable to 421000 and 421100.

7. OPTIONS

RE Remote Emergency (max distance 15ft)

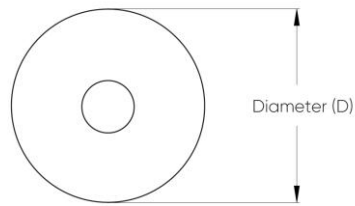
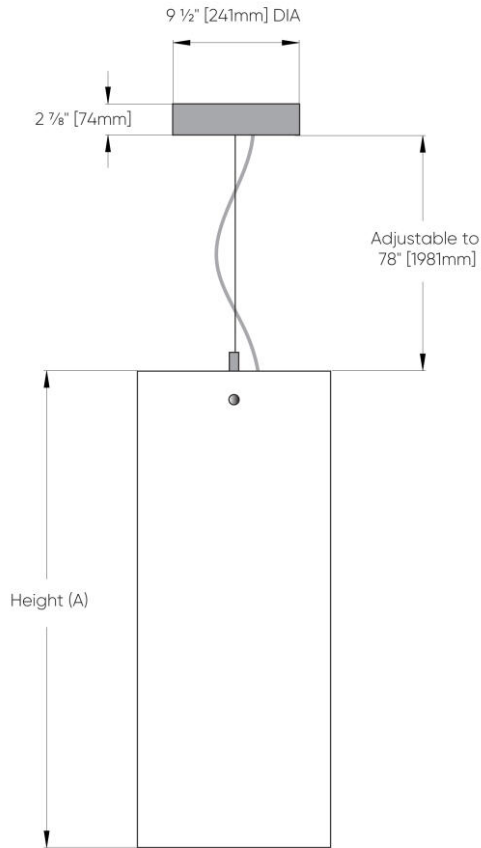
DE End diffuser c/w decorative claws(claws finished to match finials, not available with X1, X2 or X3)

7 TECHNICAL DATA

LUMINAIRE

Code	421000	421001	421002	421003	421100	421101
Power (LED)	50W	50W	50W	50W	100W	100W
Height (A)	30"	30"	30"	30"	51"	52"
Diameter (D)	6"	8"	10"	12"	6"	8"
Delivered lms	5000	5200	5400	5700	10000	10400
LPW	104	108	113	118	104	108
Code	421102	421103				
Power (LED)	100W	100W				
Height (A)	52"	52"				
Diameter (D)	10"	12"				
Delivered lms	10800	11300				
LPW	113	118				

8 DIMENSIONAL DIAGRAMS



Code	Diameter (D)	Height (A)
421000	6" [152mm]	30" [762mm]
421001	8" [203mm]	30" [762mm]
421002	10" [254mm]	30" [762mm]
421003	12" [305mm]	30" [762mm]
421100	6" [152mm]	51" [1295mm]
421101	8" [203mm]	52" [1321mm]
421102	10" [254mm]	52" [1321mm]
421103	12" [305mm]	52" [1321mm]