

ENDLESS™ - SUSPENDED

Project Name:

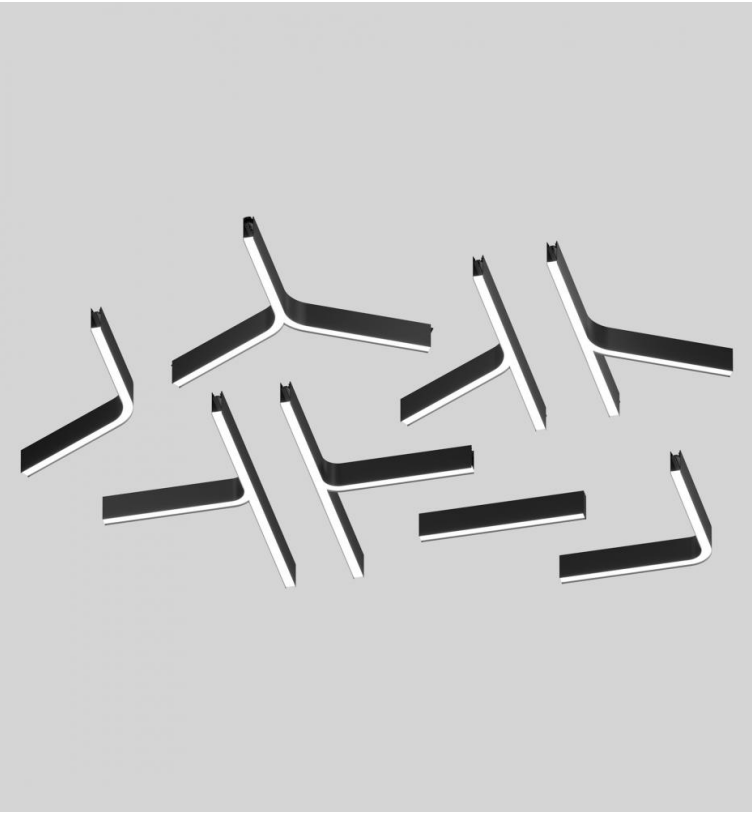
Fixture Type:

Fixture Code:

Quantities:



ENDLESS™ - SUSPENDED



ENDLESS™ - SUSPENDED

A fluent ribbon of light that moves and grooves in all directions. With a small set of modules, create a non-stop lighting plan that integrates with the spatial design. Build countless schemas made of flowy and sinuous branches or geometric and grid-like patterns. The smooth bends of the hubs bring levity to large-scale configurations making spaces more inviting. **ENDLESS** adds dimensionality to spaces and harmonizes the architectural elements from ceiling to floor.

GENERAL SPECIFICATION

Body

Extruded and die-cast aluminum.

Suspension

Steel cables.

Remote Emergency system

Emergency option provides a 1.5 hour (3hours for EU) emergency lighting facility. The remote system includes the inverter module, NiCad batteries and a remote wall/ceiling LED charge indicator and test switch. Maximum distance between wall/ceiling plate and luminaire is 15' (4.5m). Test switch fits a single gang box (not supplied).

Drivers

HPF electronic drivers for 120-277V, 347 (EU-240V). The driver is integral to the fixture housing.

Diffuser

Opal polycarbonate.

Delivered lumens

Delivered lumens & LPW based on 4000K CRI 90+.

Designed by

Serge Cornelissen.

Finish

Powder coated.

Power cable

Silver braided.

Sensors

Compatible with Avi-On, Casambi, Enlighted, Lutron Vive, nLight, NX Lighting Controls, Osram, Philips, and others. Consult factory.

Mechanical

Luminaires mount directly over J box (by others).

Reported L70 @25°C (77°F)

102,000 hrs @ 1600 lumens/ft (5200 lumens/m).

Approvals

Damp Rated.

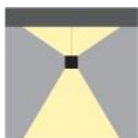
Design

US Design Patent Pending.

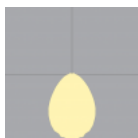
MOUNTING & OPTICS



Suspended Direct



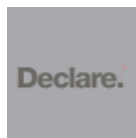
Suspended Direct/Indirect



Direct



Indirect



Declare



ENDLESS™ - SUSPENDED

HOW TO ORDER

A. CHOOSE A MODULE

Each section to be ordered individually. Choose from one of the first 10 sections. Then proceed to the Lm/ft section. For larger sizes, refer to Tunnel Systems. One power cord for every 153 linear meters.

STRAIGHT SECTIONS - STANDALONE

TOP VIEW - STRAIGHT SECTION



Available in 4, 6, 8, 10 or 12 foot sections only.

EN1PSL04 4ft Direct

EN1PSL06 6ft Direct

EN1PSL08 8ft Direct

EN1PSL10 10ft Direct

EN1PSL12 12ft Direct

EN2PSL04 4ft Direct/Indirect

EN2PSL06 6ft Direct/Indirect

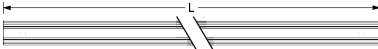
EN2PSL08 8ft Direct/Indirect

EN2PSL10 10ft Direct/Indirect

EN2PSL12 12ft Direct/Indirect

STRAIGHT CONTINUOUS - MIDDLE SECTIONS

TOP VIEW - STRAIGHT CONTINUOUS



EN1PLO2M 2ft Middle section Direct

EN1PLO4M 4ft Middle section Direct

EN1PLO6M 6ft Middle section Direct

EN1PLO8M 8ft Middle section Direct

EN1PL10M 10ft Middle section Direct

EN1PL12M 12ft Middle section Direct

EN2PLO2M 2ft Middle section Direct/Indirect

EN2PLO4M 4ft Middle section Direct/Indirect

EN2PLO6M 6ft Middle section Direct/Indirect

EN2PLO8M 8ft Middle section Direct/Indirect

EN2PL10M 10ft Middle section Direct/Indirect

EN2PL12M 12ft Middle section Direct/Indirect

STRAIGHT CONTINUOUS - END SECTIONS

TOP VIEW - STRAIGHT CONTINUOUS



EN1PLO2E 2ft End section Direct

EN1PLO4E 4ft End section Direct

EN1PLO6E 6ft End section Direct

EN1PLO8E 8ft End section Direct

EN1PL10E 10ft End section Direct

EN1PL12E 12ft End section Direct

EN2PLO2E 2ft End section Direct/Indirect

EN2PLO4E 4ft End section Direct/Indirect

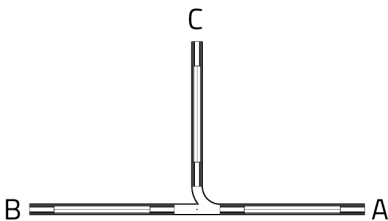
EN2PLO6E 6ft End section Direct/Indirect

EN2PLO8E 8ft End section Direct/Indirect

EN2PL10E 10ft End section Direct/Indirect

EN2PL12E 12ft End section Direct/Indirect

RIGHT HUB 90°



EN1PR90N 90° End caps not required Direct

EN1PR90A 90° A c/w end cap Direct

EN1PR90B 90° B c/w end cap Direct

EN1PR90C 90° C c/w end cap Direct

EN2PR90N 90° End caps not required Direct/Indirect

EN2PR90A 90° A c/w end cap Direct/Indirect

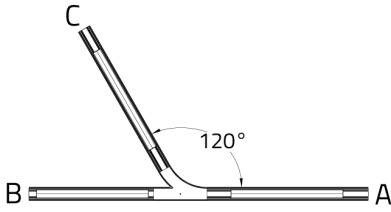
EN2PR90B 90° B c/w end cap Direct/Indirect

EN2PR90C 90° C c/w end cap Direct/Indirect



ENDLESS™ - SUSPENDED

RIGHT HUB 120°



EN1PR12N 120° End caps not required
Direct

EN1PR12A 120° A c/w end cap Direct

EN1PR12B 120° B c/w end cap Direct

EN1PR12C 120° C c/w end cap Direct

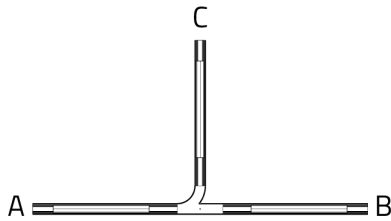
EN2PR12N 120° End caps not required
Direct/Indirect

EN2PR12A 120° A c/w end cap
Direct/Indirect

EN2PR12B 120° B c/w end cap
Direct/Indirect

EN2PR12C 120° C c/w end cap
Direct/Indirect

LEFT HUB 90°



EN1PL90N 90° End caps not required
Direct

EN1PL90A 90° A c/w end cap Direct

EN1PL90B 90° B c/w end cap Direct

EN1PL90C 90° C c/w end cap Direct

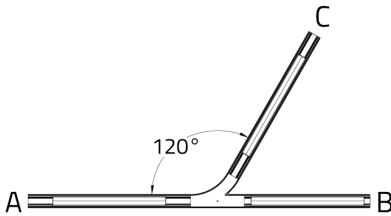
EN2PL90N 90° End caps not required
Direct/Indirect

EN2PL90A 90° A c/w end cap
Direct/Indirect

EN2PL90B 90° B c/w end cap
Direct/Indirect

EN2PL90C 90° C c/w end cap
Direct/Indirect

LEFT HUB 120°



EN1PL12N 120° End caps not required
Direct

EN1PL12A 120° A c/w end cap Direct

EN1PL12B 120° B c/w end cap Direct

EN1PL12C 120° C c/w end cap Direct

EN2PL12N 120° End caps not required
Direct/Indirect

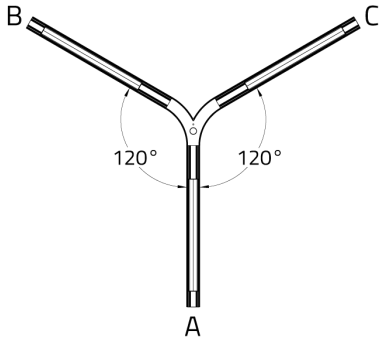
EN2PL12A 120° A c/w end cap
Direct/Indirect

EN2PL12B 120° B c/w end cap
Direct/Indirect

EN2PL12C 120° C c/w end cap
Direct/Indirect

ENDLESS™ - SUSPENDED

"Y" HUB 120°



EN1PY12N 120° End caps not required Direct

EN1PY12A 120° A c/w end cap Direct

EN1PY12B 120° B c/w end cap Direct

EN1PY12C 120° C c/w end cap Direct

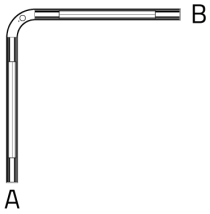
EN2PY12N 120° End caps not required Direct/Indirect

EN2PY12A 120° A c/w end cap Direct/Indirect

EN2PY12B 120° B c/w end cap Direct/Indirect

EN2PY12C 120° C c/w end cap Direct/Indirect

CORNER HUB 90°



EN1PC90N 90° End caps not required Direct

EN1PC90A 90° A c/w end cap Direct

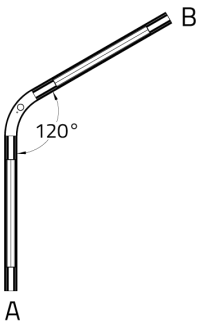
EN1PC90B 90° B c/w end cap Direct

EN2PC90N 90° End caps not required Direct/Indirect

EN2PC90A 90° A c/w end cap Direct/Indirect

EN2PC90B 90° B c/w end cap Direct/Indirect

CORNER HUB 120°



EN1PC12N 120° End caps not required Direct

EN1PC12A 120° A c/w end cap Direct

EN1PC12B 120° B c/w end cap Direct

EN2PC12N 120° End caps not required Direct/Indirect

EN2PC12A 120° A c/w end cap Direct/Indirect

EN2PC12B 120° B c/w end cap Direct/Indirect

B. LM/FT (DIRECT)

LPF030 300 lm/ft¹

LPF050 500 lm/ft²

LPF070 700 lm/ft³

Black Metallic Textured available with 300 lm/ft and 500 lm/ft only.



ENDLESS™ - SUSPENDED

C. LM/FT (INDIRECT)

LPG000 Not required

LPG050 500 lm/ft

LPG070 700 lm/ft

LPG090 900 lm/ft

D. CRI

CR90 CRI 90+

E. CCT

CTA30 3000K

CTA35 3500K

CTA40 4000K

F. DIRECT DIFFUSER

DD3 Direct light diffuser

G. INDIRECT DIFFUSER

UD0 Not required

UD2 Opal diffuser

H. VOLTAGE

V1 120/277V

¹ Not available in North America.

I. DIMMING

DA01 0-10V Dimming 1.0%

J. SUSPENSION

HLA03 3ft cable suspension

HLA06 6ft cable suspension

HLA09 9ft cable suspension

K. FIXTURE FINISH

FA01 White

FA02 Black Metallic Textured ¹

FA20 Silver Metallic Textured

¹ Black Metallic Textured available with 300 lm/ft and 500 lm/ft only.

L. CANOPY FINISH

CF01 White

CF02 Black Metallic Textured

CF20 Silver Metallic Textured

M. CIRCUITS

CS1 Single circuit

CS2 Dual circuit

N. EMERGENCY

E0 Not required

E2 Emergency system - remote

O. POWER CABLE

PC0 Not required

PC1 Power cable required ¹

¹ At least one power cable is required for the entire fixture (all modules combined). One power cable covers 50ft of the linear run. If it is over 50ft, make sure to add a power cable to another module within the fixture.

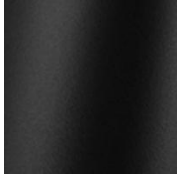
P. SENSORS

ENDLESS™ - SUSPENDED

FIXTURE FINISH



White



Black Metallic Textured ¹



Silver Metallic Textured

¹ Black Metallic Textured available with 300 lm/ft and 500 lm/ft only.

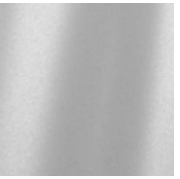
CANOPY FINISH



White



Black Metallic Textured



Silver Metallic Textured

APPROVALS



DAMP
LOCATION



IP20

ENDLESS™ - SUSPENDED

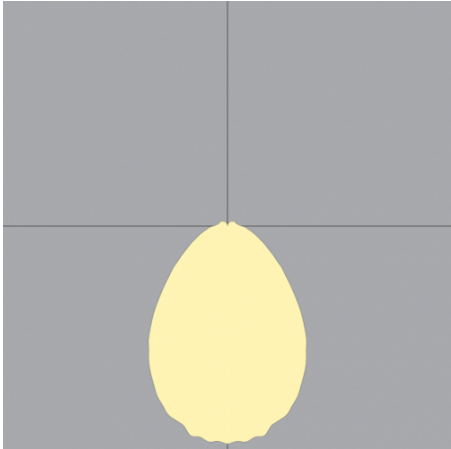
PERFORMANCE DATA

**DIRECT (WHITE/SILVER METALLIC TEXTURED)
DIFFUSED (DD3)**

LUMEN/FT

WATT/FT

LPW



700
500
300

12
8
5

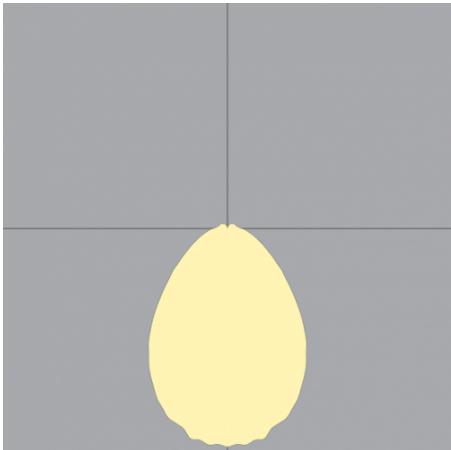
61
66
73

**DIRECT (BLACK METALLIC TEXTURED) DIFFUSED
(DD3)**

LUMEN/FT

WATT/FT

LPW



500
300

12
8

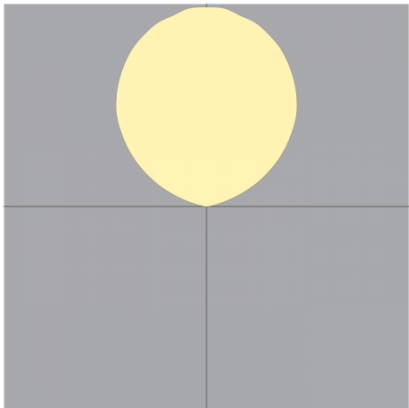
38
41

**INDIRECT (WHITE/SILVER METALLIC TEXTURED)
OPAL (UD2)**

LUMEN/FT

WATT/FT

LPW



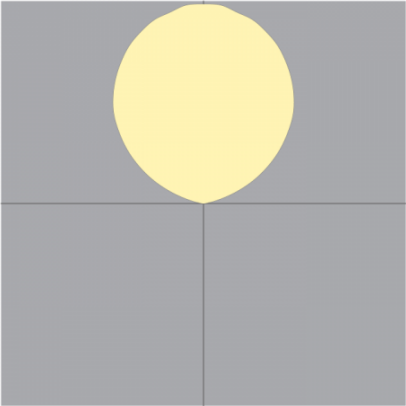
900
700
500

9
7
4

84
89
98

ENDLESS™ - SUSPENDED

INDIRECT (BLACK METALLIC TEXTURED) OPAL (UD2)



LUMEN/FT
900
700
500

WATT/FT
11
9
6

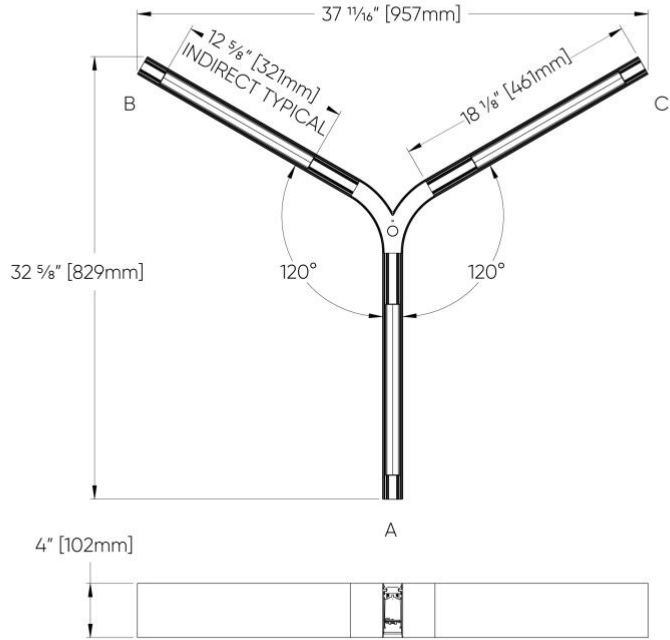
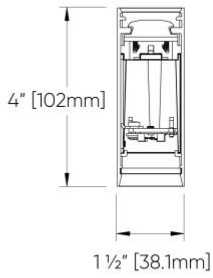
LPW
60
63
68

ENDLESS™ - SUSPENDED

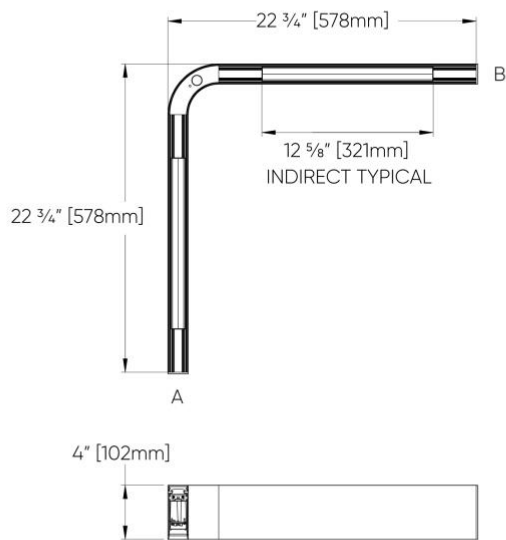
DIMENSIONAL DIAGRAMS

HUB - Y120S

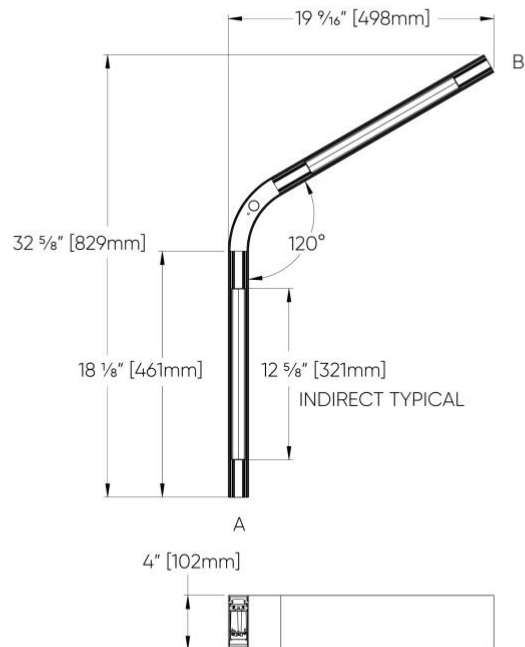
FIXTURE CROSS SECTION



HUB - C90

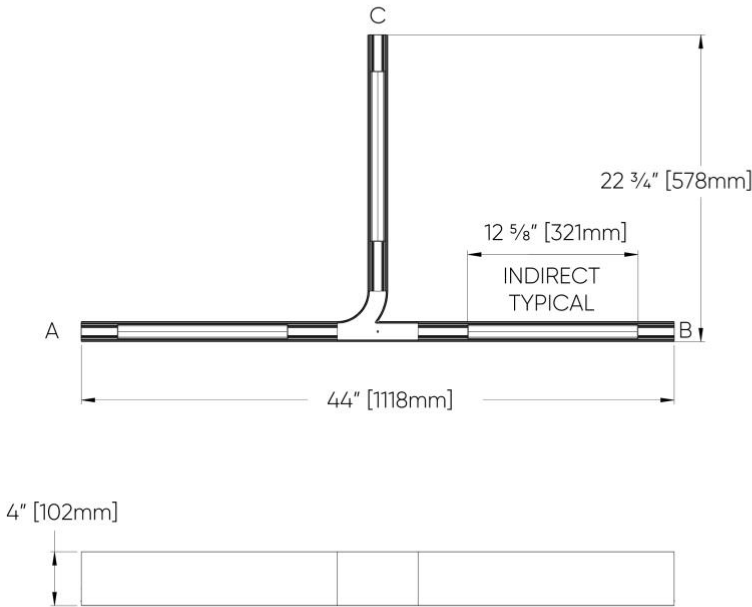


HUB - C120

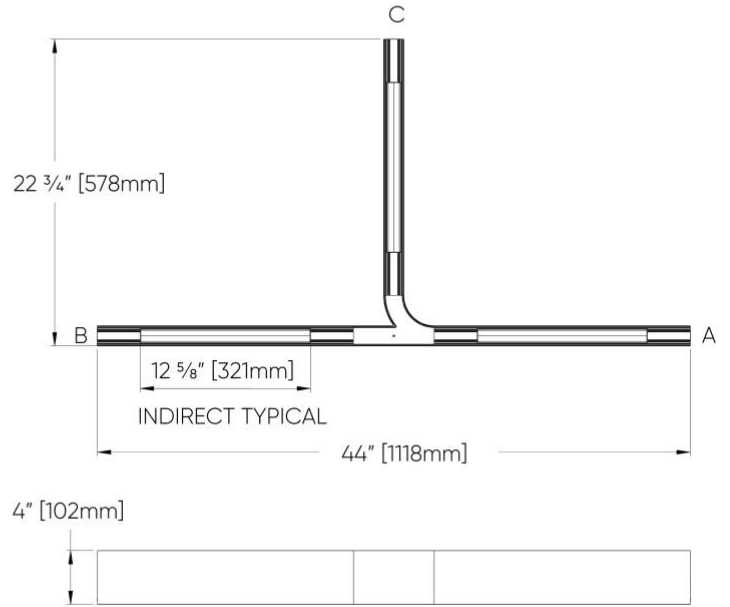


ENDLESS™ - SUSPENDED

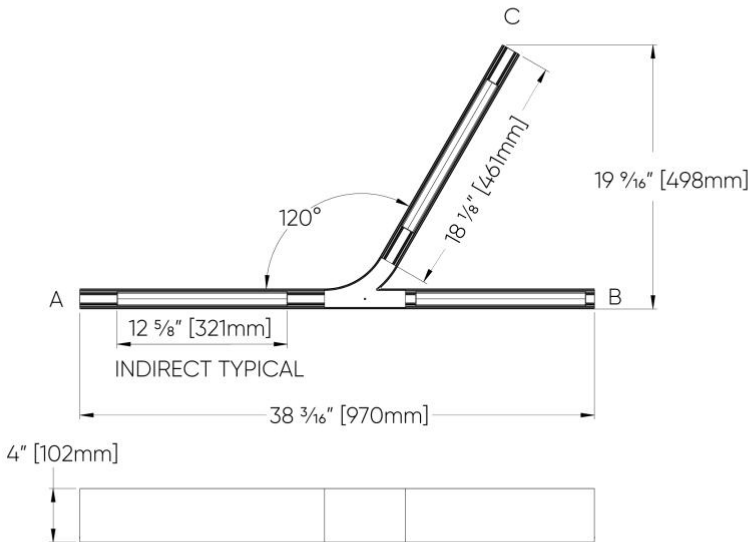
HUB - Y90L



HUB - Y90R



HUB - Y120L



HUB - Y120R

