

# ENDLESS™ - SUSPENDED



Project Name:

Fixture Type:

Fixture Code:

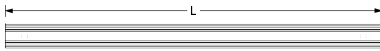
Quantities:

## A. CHOOSE A MODULE

Each section to be ordered individually. Choose from one of the first 10 sections. Then proceed to the Lm/ft section. For larger sizes, refer to Tunnel Systems. One power cord for every 153 linear meters.

### STRAIGHT SECTIONS - STANDALONE

TOP VIEW - STRAIGHT SECTION



Available in 4, 6, 8, 10 or 12 foot sections only.

**EN1PSL04** 4ft Direct

**EN1PSL06** 6ft Direct

**EN1PSL08** 8ft Direct

**EN1PSL10** 10ft Direct

**EN1PSL12** 12ft Direct

**EN2PSL04** 4ft Direct/Indirect

**EN2PSL06** 6ft Direct/Indirect

**EN2PSL08** 8ft Direct/Indirect

**EN2PSL10** 10ft Direct/Indirect

**EN2PSL12** 12ft Direct/Indirect

### STRAIGHT CONTINUOUS - MIDDLE SECTIONS

TOP VIEW - STRAIGHT CONTINUOUS



**EN1PLO2M** 2ft Middle section Direct

**EN1PLO4M** 4ft Middle section Direct

**EN1PLO6M** 6ft Middle section Direct

**EN1PLO8M** 8ft Middle section Direct

**EN1PL10M** 10ft Middle section Direct

**EN1PL12M** 12ft Middle section Direct

**EN2PLO2M** 2ft Middle section  
Direct/Indirect

**EN2PLO4M** 4ft Middle section  
Direct/Indirect

**EN2PLO6M** 6ft Middle section  
Direct/Indirect

**EN2PLO8M** 8ft Middle section  
Direct/Indirect

**EN2PL10M** 10ft Middle section  
Direct/Indirect

**EN2PL12M** 12ft Middle section  
Direct/Indirect

### STRAIGHT CONTINUOUS - END SECTIONS

TOP VIEW - STRAIGHT CONTINUOUS



**EN1PLO2E** 2ft End section Direct

**EN1PLO4E** 4ft End section Direct

**EN1PLO6E** 6ft End section Direct

**EN1PLO8E** 8ft End section Direct

**EN1PL10E** 10ft End section Direct

**EN1PL12E** 12ft End section Direct

**EN2PLO2E** 2ft End section  
Direct/Indirect

**EN2PLO4E** 4ft End section  
Direct/Indirect

**EN2PLO6E** 6ft End section  
Direct/Indirect

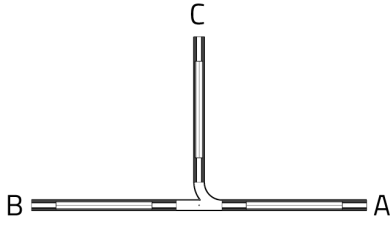
**EN2PLO8E** 8ft End section  
Direct/Indirect

**EN2PL10E** 10ft End section  
Direct/Indirect

**EN2PL12E** 12ft End section  
Direct/Indirect

# ENDLESS™ - SUSPENDED

## RIGHT HUB 90°



**EN1PR90N** 90° End caps not required  
Direct

**EN1PR90A** 90° A c/w end cap Direct

**EN1PR90B** 90° B c/w end cap Direct

**EN1PR90C** 90° C c/w end cap Direct

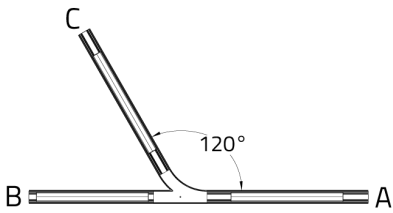
**EN2PR90N** 90° End caps not required  
Direct/Indirect

**EN2PR90A** 90° A c/w end cap  
Direct/Indirect

**EN2PR90B** 90° B c/w end cap  
Direct/Indirect

**EN2PR90C** 90° C c/w end cap  
Direct/Indirect

## RIGHT HUB 120°



**EN1PR12N** 120° End caps not required  
Direct

**EN1PR12A** 120° A c/w end cap Direct

**EN1PR12B** 120° B c/w end cap Direct

**EN1PR12C** 120° C c/w end cap Direct

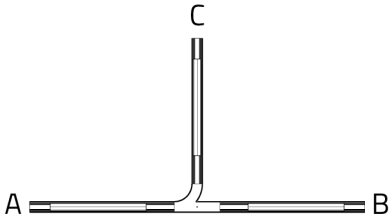
**EN2PR12N** 120° End caps not required  
Direct/Indirect

**EN2PR12A** 120° A c/w end cap  
Direct/Indirect

**EN2PR12B** 120° B c/w end cap  
Direct/Indirect

**EN2PR12C** 120° C c/w end cap  
Direct/Indirect

## LEFT HUB 90°



**EN1PL90N** 90° End caps not required  
Direct

**EN1PL90A** 90° A c/w end cap Direct

**EN1PL90B** 90° B c/w end cap Direct

**EN1PL90C** 90° C c/w end cap Direct

**EN2PL90N** 90° End caps not required  
Direct/Indirect

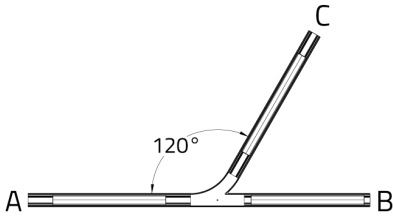
**EN2PL90A** 90° A c/w end cap  
Direct/Indirect

**EN2PL90B** 90° B c/w end cap  
Direct/Indirect

**EN2PL90C** 90° C c/w end cap  
Direct/Indirect

# ENDLESS™ - SUSPENDED

## LEFT HUB 120°



**EN1PL12N** 120° End caps not required  
Direct

**EN1PL12A** 120° A c/w end cap Direct

**EN1PL12B** 120° B c/w end cap Direct

**EN1PL12C** 120° C c/w end cap Direct

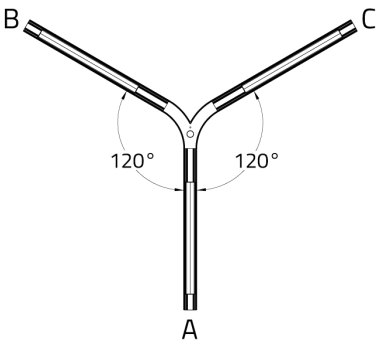
**EN2PL12N** 120° End caps not required  
Direct/Indirect

**EN2PL12A** 120° A c/w end cap  
Direct/Indirect

**EN2PL12B** 120° B c/w end cap  
Direct/Indirect

**EN2PL12C** 120° C c/w end cap  
Direct/Indirect

## "Y" HUB 120°



**EN1PY12N** 120° End caps not required  
Direct

**EN1PY12A** 120° A c/w end cap Direct

**EN1PY12B** 120° B c/w end cap Direct

**EN1PY12C** 120° C c/w end cap Direct

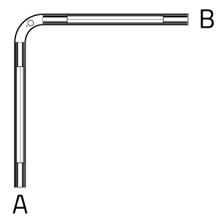
**EN2PY12N** 120° End caps not required  
Direct/Indirect

**EN2PY12A** 120° A c/w end cap  
Direct/Indirect

**EN2PY12B** 120° B c/w end cap  
Direct/Indirect

**EN2PY12C** 120° C c/w end cap  
Direct/Indirect

## CORNER HUB 90°



**EN1PC90N** 90° End caps not required  
Direct

**EN1PC90A** 90° A c/w end cap Direct

**EN1PC90B** 90° B c/w end cap Direct

**EN2PC90N** 90° End caps not required  
Direct/Indirect

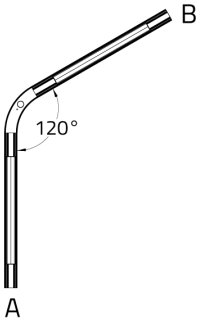
**EN2PC90A** 90° A c/w end cap  
Direct/Indirect

**EN2PC90B** 90° B c/w end cap  
Direct/Indirect



# ENDLESS™ - SUSPENDED

## CORNER HUB 120°



<b>EN1PC12N</b> 120° End caps not required Direct	<b>EN1PC12A</b> 120° A c/w end cap Direct	<b>EN1PC12B</b> 120° B c/w end cap Direct	<b>EN2PC12N</b> 120° End caps not required Direct/Indirect
<b>EN2PC12A</b> 120° A c/w end cap Direct/Indirect	<b>EN2PC12B</b> 120° B c/w end cap Direct/Indirect		

## B. LM/FT (DIRECT)

<b>LPF030</b> 300 lm/ft	<b>LPF050</b> 500 lm/ft	<b>LPF070</b> 700 lm/ft
-------------------------	-------------------------	-------------------------

Black Metallic Textured available with 300 lm/ft and 500 lm/ft only.

## C. LM/FT (INDIRECT)

<b>LPG000</b> Not required	<b>LPG050</b> 500 lm/ft	<b>LPG070</b> 700 lm/ft	<b>LPG090</b> 900 lm/ft
----------------------------	-------------------------	-------------------------	-------------------------

## D. CRI

**CR90** CRI 90+

## E. CCT

<b>CTA30</b> 3000K	<b>CTA35</b> 3500K	<b>CTA40</b> 4000K
--------------------	--------------------	--------------------

## F. DIRECT DIFFUSER

**DD3** Direct light diffuser

## G. INDIRECT DIFFUSER

<b>UDO</b> Not required	<b>UD2</b> Opal diffuser
-------------------------	--------------------------

## H. VOLTAGE

**V1** 120/277V

<sup>1</sup> Not available in North America.

## I. DIMMING

**DA01** 0-10V Dimming 1.0%

## J. SUSPENSION

<b>HLA03</b> 3ft cable suspension	<b>HLA06</b> 6ft cable suspension	<b>HLA09</b> 9ft cable suspension
-----------------------------------	-----------------------------------	-----------------------------------

# ENDLESS™ - SUSPENDED

## K. FIXTURE FINISH

**FA01** White

**FA02** Black Metallic Textured <sup>1</sup>

**FA20** Silver Metallic Textured

---

<sup>1</sup> Black Metallic Textured available with 300 lm/ft and 500 lm/ft only.

## L. CANOPY FINISH

**CF01** White

**CF02** Black Metallic Textured

**CF20** Silver Metallic Textured

## M. CIRCUITS

**CS1** Single circuit

**CS2** Dual circuit

## N. EMERGENCY

**E0** Not required

**E2** Emergency system - remote

## O. POWER CABLE

**PC0** Not required

**PC1** Power cable required <sup>1</sup>

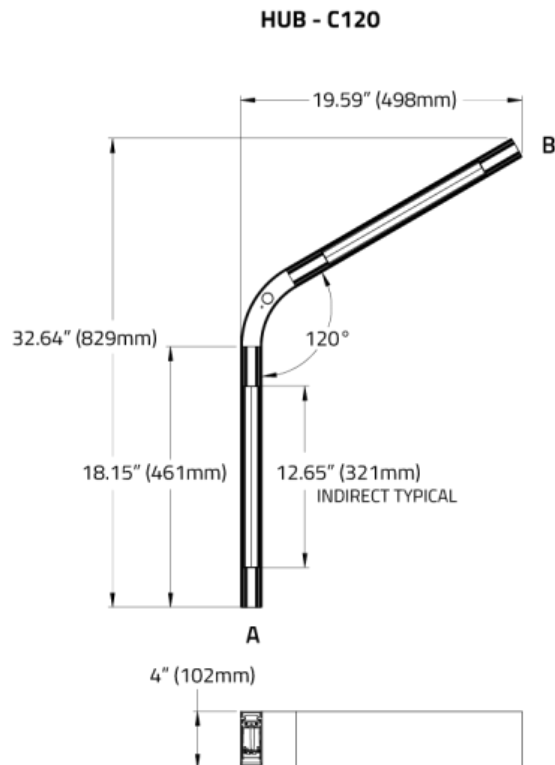
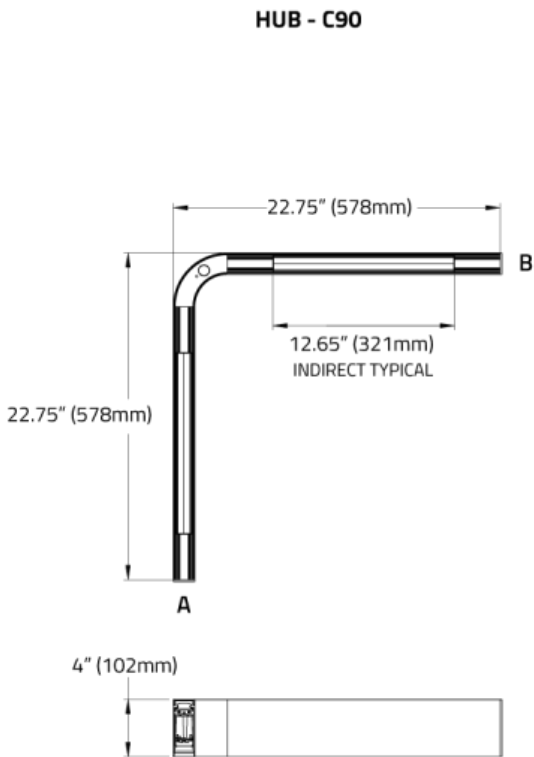
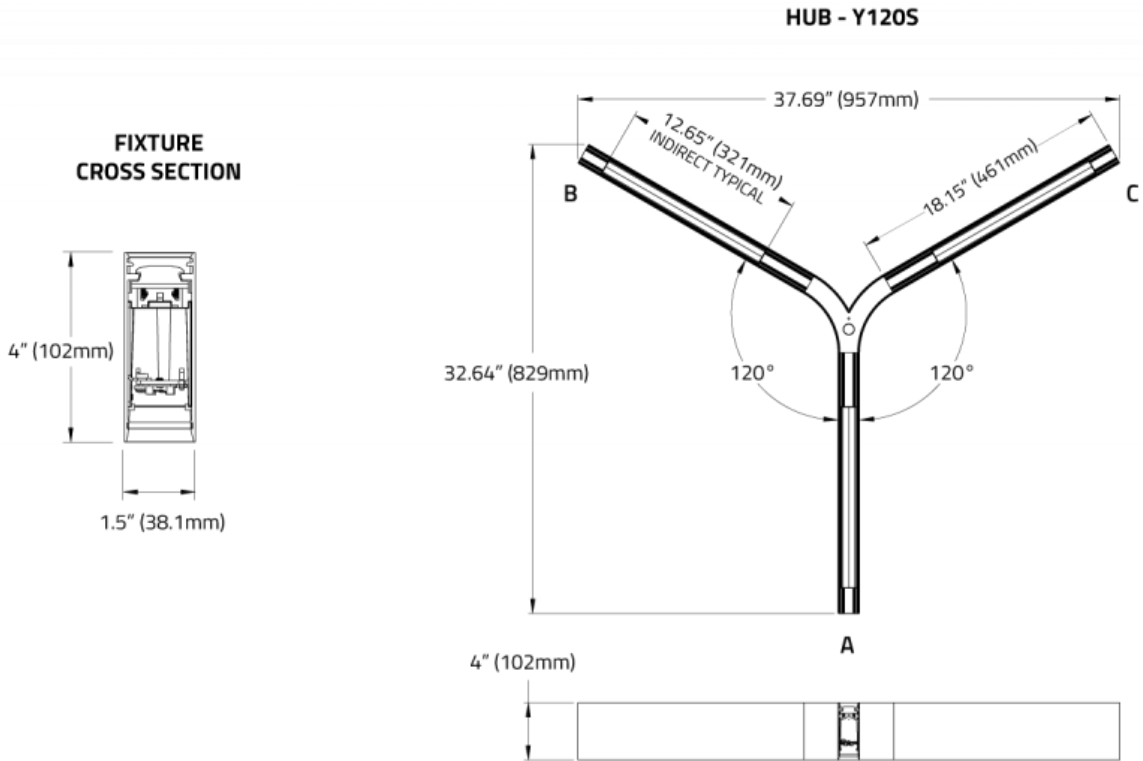
---

<sup>1</sup> At least one power cable is required for the entire fixture (all modules combined). One power cable covers 50ft of the linear run. If it is over 50ft, make sure to add a power cable to another module within the fixture.

## P. SENSORS

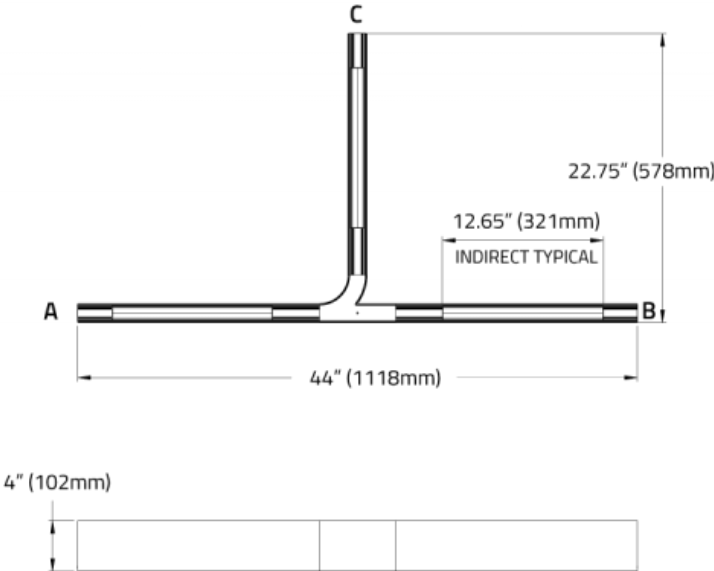
# ENDLESS™ - SUSPENDED

## DIMENSIONAL DIAGRAMS

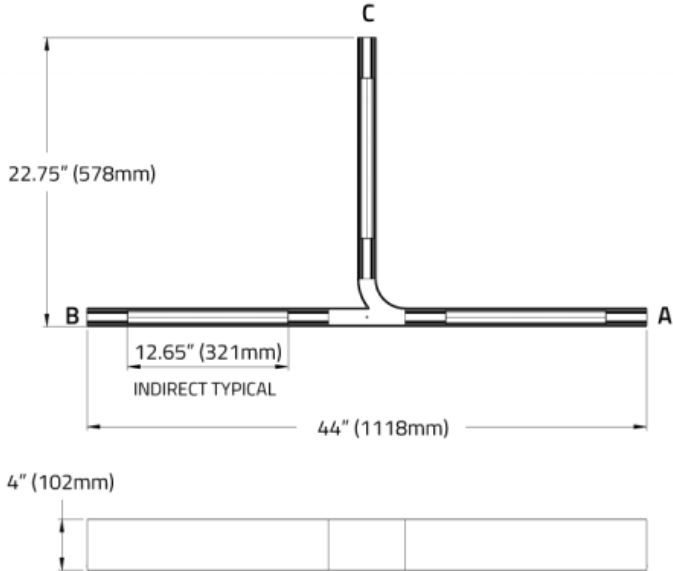


**ENDLESS™ - SUSPENDED**

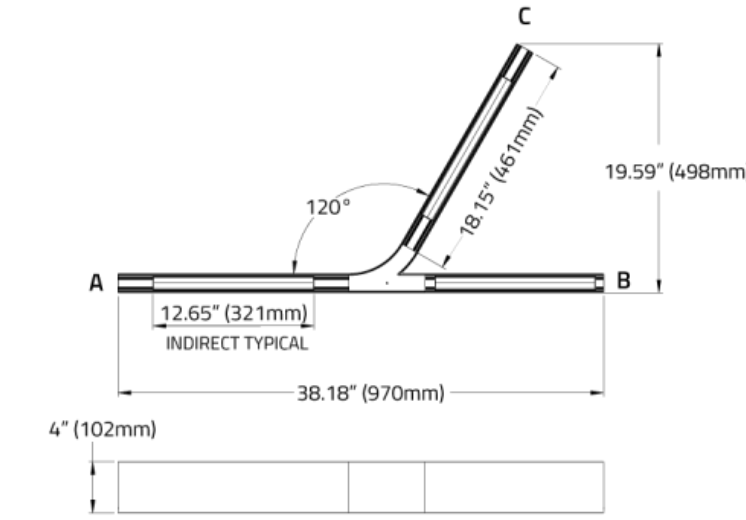
**HUB - Y90L**



**HUB - Y90R**



**HUB - Y120L**



**HUB - Y120R**

