

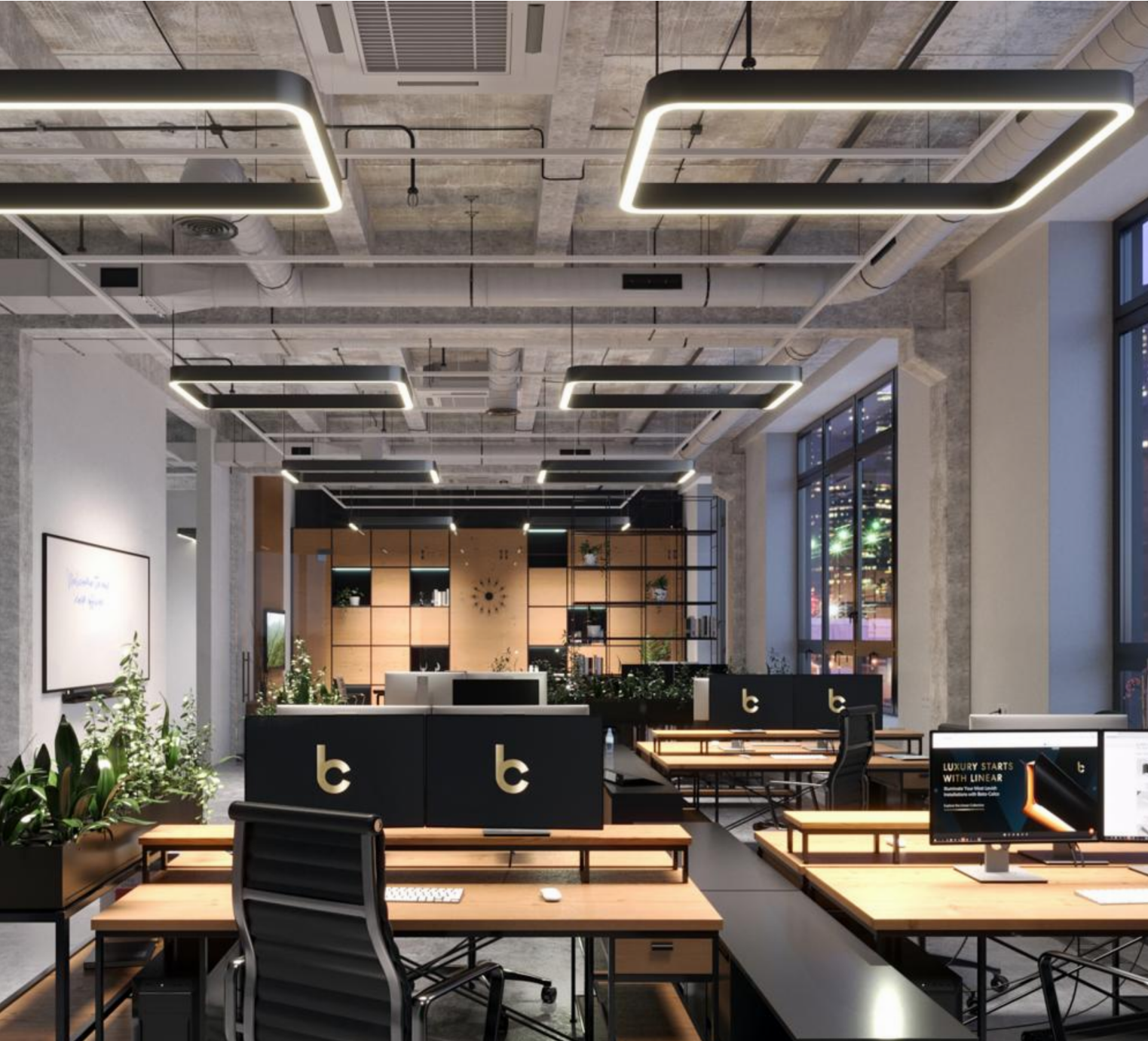
# ENDLESS QUAD™ - SUSPENDED

Project Name:

Fixture Type:

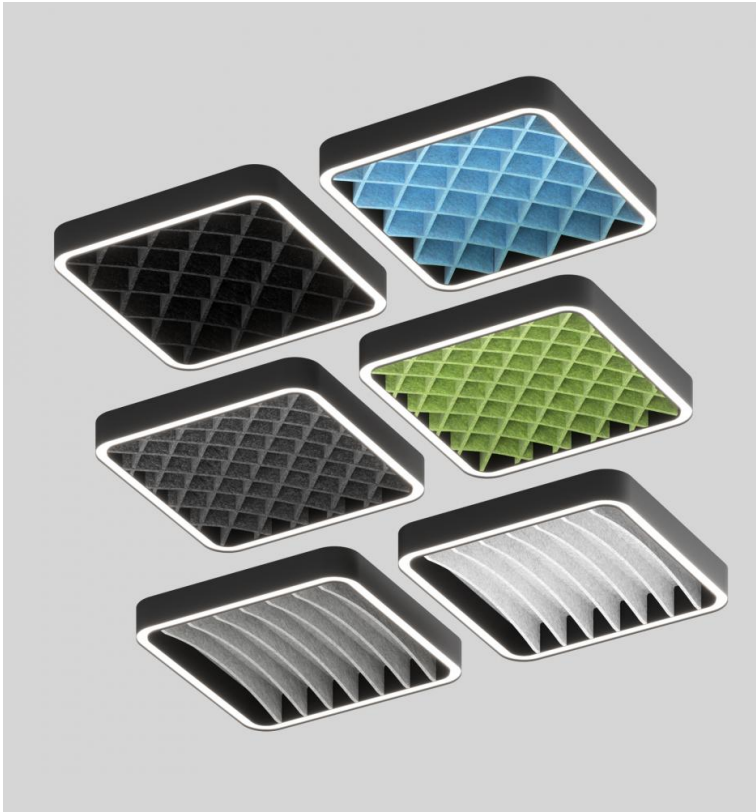
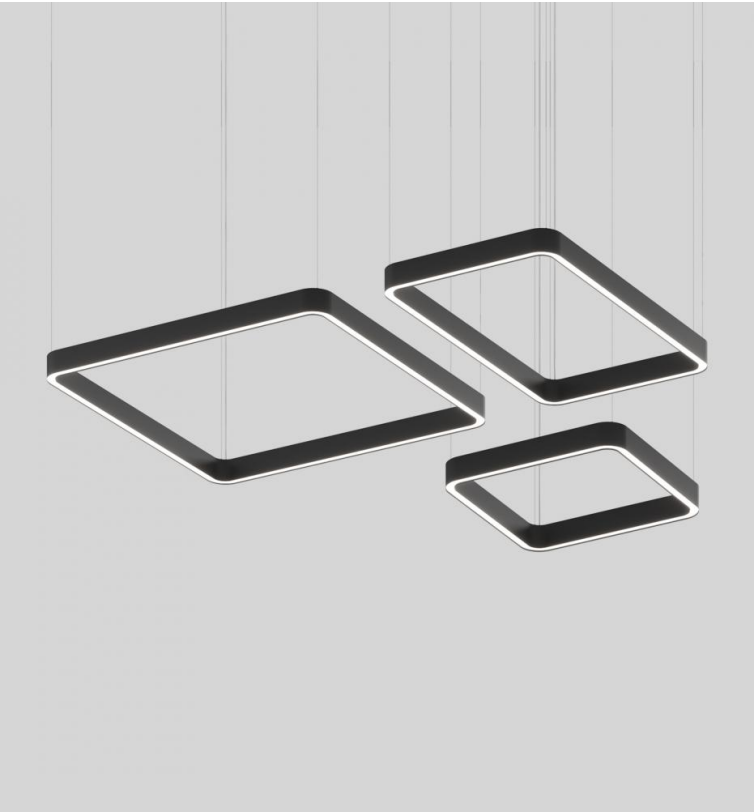
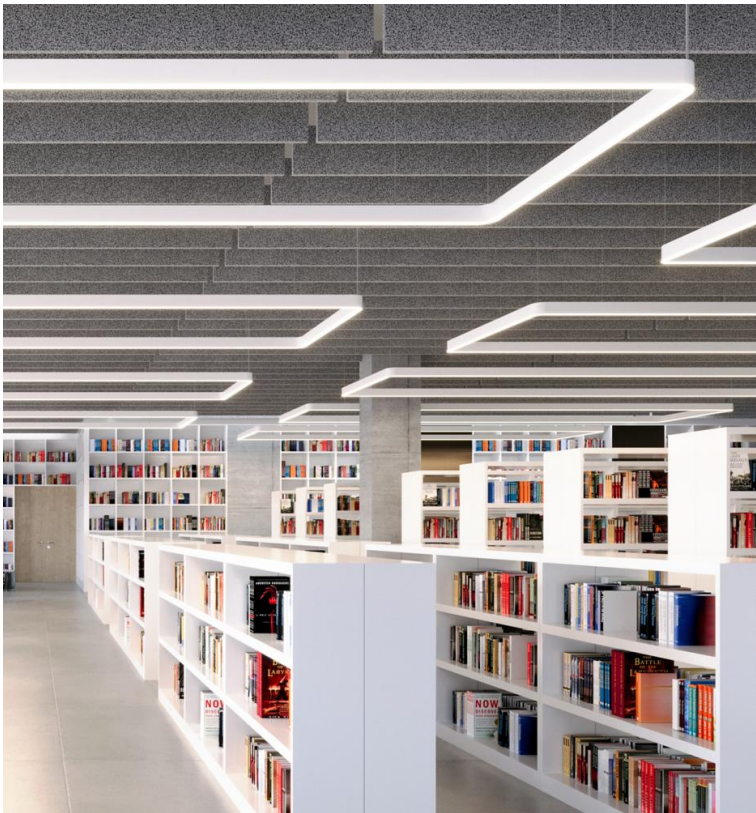
Fixture Code:

Quantities:





# ENDLESS QUAD™ - SUSPENDED



# ENDLESS QUAD™ - SUSPENDED

The fluid lines of the Endless linear system morph into finite rectangular forms. With warm rounded corners, **ENDLESS QUAD** adds a comforting structure to functional spaces. Simple and succinct, the quadrilateral provides geometric definition to the ceiling area that can be used to frame special areas. Crank up the design but turn down the noise with our new acoustic panel styles.

## GENERAL SPECIFICATION

### Body

Extruded and die-cast aluminum.

### Suspension

Steel cables.

### Remote Emergency system

Emergency option provides a 1.5 hour (3hours for EU) emergency lighting facility. The remote system includes the inverter module, NiCad batteries and a remote wall/ceiling LED charge indicator and test switch. Maximum distance between wall/ceiling plate and luminaire is 15' (4.5m). Test switch fits a single gang box (not supplied).

### Drivers

HPF electronic drivers for 120-277V, 347 (EU-240V). The driver is integral to the fixture housing.

### Diffuser

Opal polycarbonate.

### Delivered lumens

Delivered lumens & LPW based on 4000K CRI 90+.

### Designed by

Serge Cornelissen.

### Finish

Powder coated.

### Power cable

Silver braided.

### Sensors

Compatible with Avi-On, Casambi, Enlighted, Lutron Vive, nLight, NX Lighting Controls, Osram, Philips, and others. Consult factory.

### Mechanical

Luminaires mount directly over J box (by others).

### Reported L70 @25°C (77°F)

60,000 hrs @ 1600 lumens/ft (5200 lumens/m).

### Approvals

Damp Rated.

### Design

US Design Patent Pending.

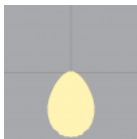
## MOUNTING & OPTICS



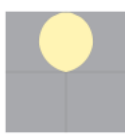
Suspended Direct



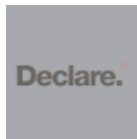
Suspended Direct/Indirect



Direct



Indirect



Declare



PoE

# ENDLESS QUAD™ - SUSPENDED

## HOW TO ORDER

### A. LUMINAIRE

**ENDQ1P01** 34" Square Direct

**ENDQ1P02** 58" Square Direct

**ENDQ1P03** 34"x58" Direct

**ENDQ2P01** 34" Square Direct/Indirect

**ENDQ2P02** 58" Square Direct/Indirect

**ENDQ2P03** 34"x58" Direct/Indirect

### B. LM/FT (DIRECT)

**LPF030** 300 lm/ft

**LPF050** 500 lm/ft

**LPF070** 700 lm/ft

Black Metallic Textured available with 300 lm/ft and 500 lm/ft only.

### C. LM/FT (INDIRECT)

**LPG000** Not required

**LPG050** 500 lm/ft

**LPG070** 700 lm/ft

**LPG090** 900 lm/ft

### D. CRI

**CR90** CRI 90+

### E. CCT (DIRECT)

**CTA30** 3000K

**CTA35** 3500K

**CTA40** 4000K

### F. CCT (INDIRECT)

**CTB00** Not required

**CTB30** 3000K

**CTB35** 3500K

**CTB40** 4000K

### G. DIRECT DIFFUSER

**DD3** Direct light diffuser

### H. INDIRECT DIFFUSER

**UDO** Not required

**UD2** Opal diffuser

### I. VOLTAGE

**V1** 120/277V

### J. DIMMING

**DA01** 0-10V Dimming 1.0%

### K. CEILING TYPE

**H1** Hard ceiling <sup>1</sup>

<sup>1</sup> Designed for drywall ceilings.

### L. SUSPENSION

**HLA03** 3ft cable suspension

**HLA06** 6ft cable suspension

**HLA09** 9ft cable suspension

### M. FIXTURE FINISH

**FA01** White

**FA02** Black Metallic Textured <sup>1</sup>

**FA20** Silver Metallic Textured

<sup>1</sup> Black Metallic Textured available with 300 lm/ft and 500 lm/ft only.

### N. CANOPY FINISH

**CF01** White

**CF02** Black Metallic Textured

**CF20** Silver Metallic Textured



# ENDLESS QUAD™ - SUSPENDED

## ACOUSTIC PANEL STYLE

**APS00** Not required  
**APS04** Parallel Hatch

**APS01** Flat

**APS02** Cross Hatch

**APS03** Fine Cross Hatch

---

Available in 4 styles for the 34" Sq and the 34"x58" versions. The 58" Sq available with visible seams. Consult factory for details.

## ACOUSTIC PANEL COLOR

**AP00** Not required  
**AP11** Light Gray

**AP04** White  
**AP26** Sesame Gray

**AP13** Apple Green  
**AP27** Black

**AP22** Blue

---

Other finishes available. Consult factory.

## O. EMERGENCY

**EO** Not required

**E2** Emergency system - remote

---

Available upon request, consult factory for details.

## P. CIRCUITS

**CS1** Single circuit

**CS2** Dual circuit

## Q. SENSORS

# ENDLESS QUAD™ - SUSPENDED

## FIXTURE FINISH

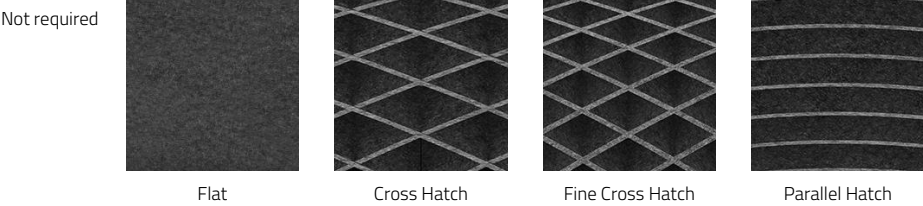


<sup>1</sup> Black Metallic Textured available with 300 lm/ft and 500 lm/ft only.

## CANOPY FINISH

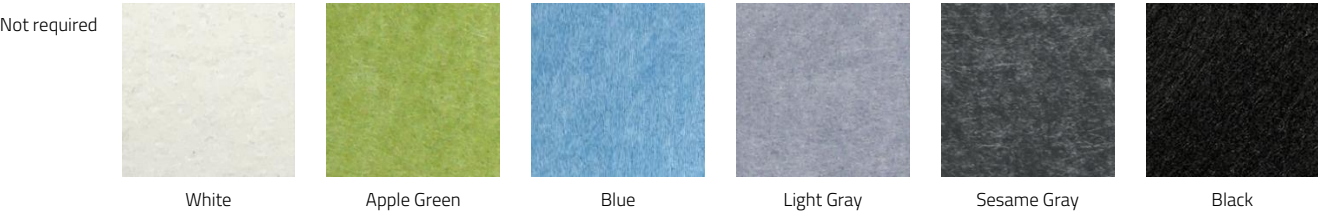


## ACOUSTIC PANEL STYLE



Available in 4 styles for the 34" Sq and the 34"x58" versions. The 58" Sq available with visible seams. Consult factory for details.

## ACOUSTIC PANEL COLOR



Other finishes available. Consult factory.

## APPROVALS



# ENDLESS QUAD™ - SUSPENDED

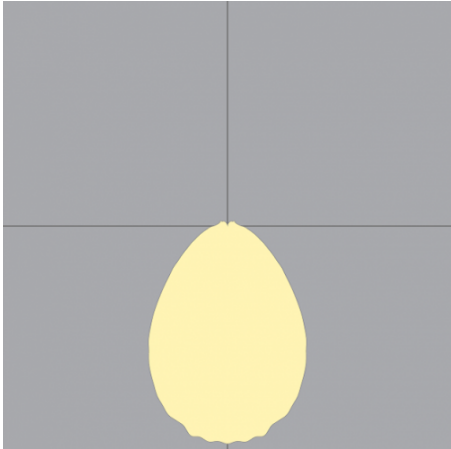
## PERFORMANCE DATA

**DIRECT (WHITE/SILVER METALLIC TEXTURED)  
DIFFUSED (DD3)**

**LUMEN/FT**

**WATT/FT**

**LPW**



700
500
300

12
8
5

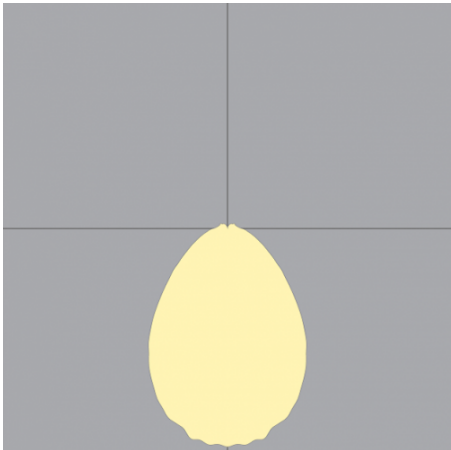
61
66
73

**DIRECT (BLACK METALLIC TEXTURED) DIFFUSED  
(DD3)**

**LUMEN/FT**

**WATT/FT**

**LPW**



500
300

12
8

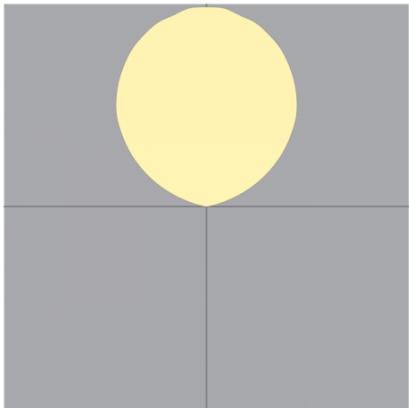
38
41

**INDIRECT (WHITE/SILVER METALLIC TEXTURED)  
OPAL (UD2)**

**LUMEN/FT**

**WATT/FT**

**LPW**



900
700
500

9
7
4

84
89
98



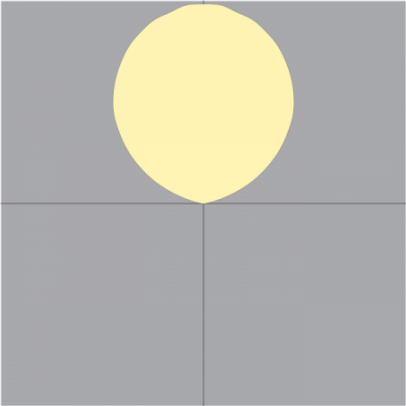
# ENDLESS QUAD™ - SUSPENDED

INDIRECT (BLACK METALLIC TEXTURED) OPAL  
(UD2)

LUMEN/FT

WATT/FT

LPW



900
700
500

11
9
6

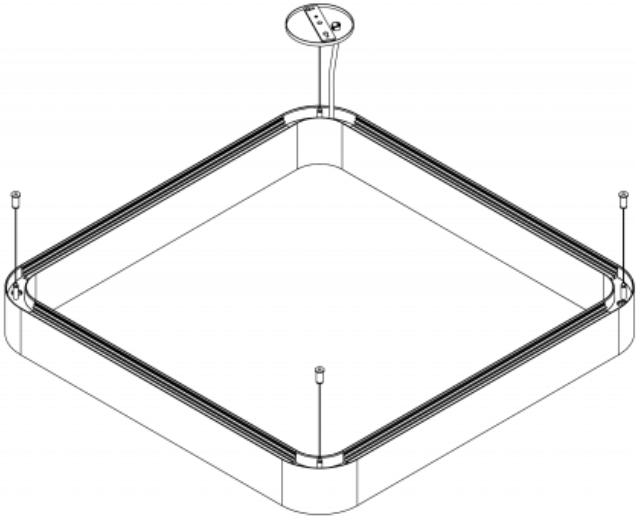
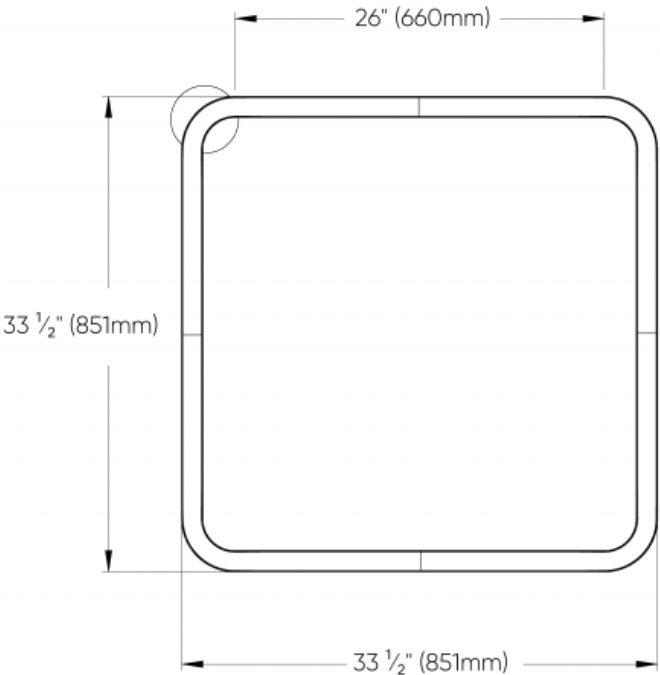
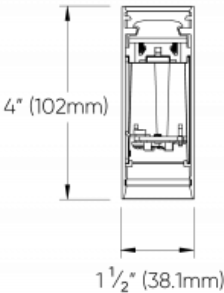
60
63
68



# ENDLESS QUAD™ - SUSPENDED

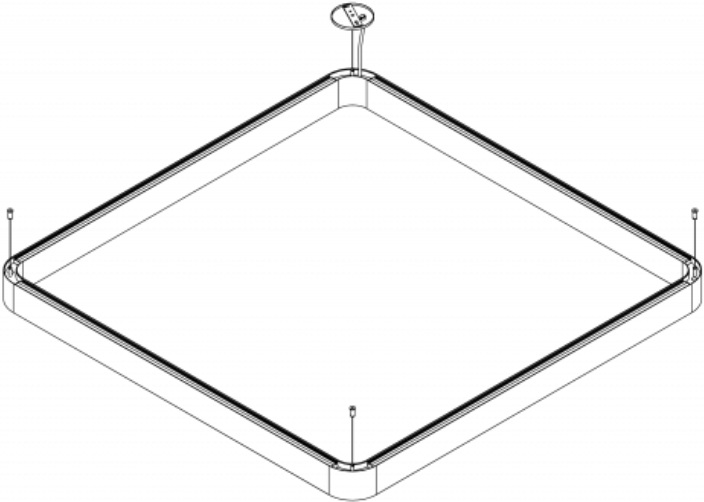
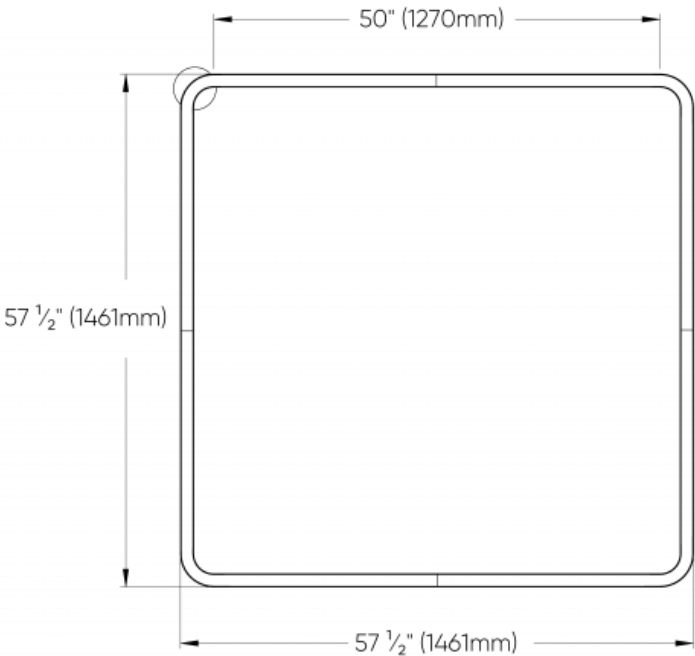
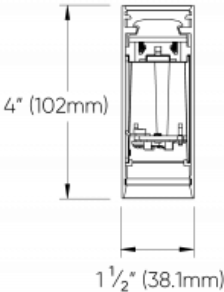
## DIMENSIONAL DIAGRAMS

FIXTURE  
CROSS SECTION



# ENDLESS QUAD™ - SUSPENDED

FIXTURE  
CROSS SECTION



4 SUSPENSION POINTS

# ENDLESS QUAD™ - SUSPENDED

FIXTURE  
CROSS SECTION

