

# EXY™ - SUSPENDED

Project Name:

Fixture Type:

Fixture Code:

Quantities:



EXY™ - SUSPENDED



# EXY™ - SUSPENDED

EXY takes the traditional dome and adds a little flair while delivering high outputs of light suitable for industrial settings, warehouses, and superstores, thanks to an internal reflector that increases luminaire efficiency. Custom finishes are available to match retail branding colors.

## GENERAL SPECIFICATION

### Body and trim

Steel and aluminum.

### Finish

Powder coated as specified. Custom paint finishes available to special order.

### Decorative disc/ring

6mm/14" green tint, acrylic (faux glass) with a polished edge and a sandblasted finish, retained by three stainless steel cylindrical finials.

### Internal reflector

Matt frosted aluminum finish with facets (26W & 38W only).

### Remote emergency - North America

Emergency option provides a 1.5 hour emergency lighting facility. The remote system includes the inverter module, NiCad batteries and a remote wall/ceiling LED charge indicator and test switch (maximum distance between wall/ceiling plate and luminaire is 4.5m/15'). Test switch fits a single gang box (not supplied).

### Drivers

HPF, electronic, 120-277V (EU-240V). For the small and medium size fixtures the drivers are integral to the fixture canopy and for the large size fixtures the driver is integral to the fixture housing.

### Mechanical

Luminaires mount to a junction box (by others - North America only).

### Sensors

Consult factory regarding sensor compatibility.

### Approvals

Damp rated.

### Heat sinks

Die cast aluminum.

### Power cable

Silver braided.

### Suspension

Stainless steel cable, small, one cable, medium and large, three cables.

### External reflector

Aluminum, painted as specified.

### Remote emergency - Europe

Remote emergency option provides a 3 hour emergency lighting facility. The self contained system includes the inverter module, NiCad batteries and LED charge indicator (located in the fixture).

### PoE

Exy can integrate into your data network via Power over Ethernet (PoE) connectivity.

### Delivered Lumens

Delivered lumens & LPW based on 3000K (min 80 CRI) for White LEDs only.

### Reported L70 @25°C (77°F)

> 50,000.

## MOUNTING & OPTICS



Suspended Direct



Suspended Direct/Indirect



Declare



PoE

# EXY™ - SUSPENDED

## HOW TO ORDER

### A. LUMINAIRE

**515511** Small 6.3", 13W Downlight, 930 lms Direct, N/A lms Indirect

**515522** Medium 11", 26W Down/26W Up, 1733 lms Direct, 1843 lms Indirect

**515504** Large 15", 56W Downlight, 3763 lms Direct, N/A lms Indirect

**515510** Small 6.3", 26W Downlight, 1696 lms Direct, N/A lms Indirect

**515523** Medium 11", 38W Down/26W Up, 2500 lms Direct, 1843 lms Indirect

**515502** Large 15", 26W Down/26W Up, 1642 lms Direct, 1843 lms Indirect

**515520** Medium 11", 26W Downlight, 1733 lms Direct, N/A lms Indirect

**515500** Large 15", 26W Downlight, 1642 lms Direct, N/A lms Indirect

**515503** Large 15", 38W Down/26W Up, 2369 lms Direct, 1843 lms Indirect

**515521** Medium 11", 38W Downlight, 2500 lms Direct, N/A lms Indirect

**515501** Large 15", 38W Downlight, 2369 lms Direct, N/A lms Indirect

### B. CCT

**30** 3000K (min 80 CRI)

**35** 3500K (min 80 CRI)

**40** 4000K (min 80 CRI)

### C. FINISH

**WH** White

**BL** Black Metallic Textured

**MS** Silver Metallic Textured

**F39** Other Painted Finish (RAL number required)

**F40** Other Non-RAL painted finish (sample chip required)

F39 & F40 have a one time set-up charge regardless of quantity.

### D. DIMMING

**D1** 0-10V Dimming (1.0%)

**D2** 0-10V Dimming (0.1%)

**DA** DALI Dimming (0.1%)

**DL** DALI Dimming (1.0%)

**DE** PoE

DE must be used with EV only.

### E. DECORATIVE OPTIONS

**DS** Decorative Disc

**DR** Decorative Ring

1. Not available with small Exy.

2. **DS** Decorative Disc will reduce lumen output by 14%

### F. OPTIONS

**TC** Twin Circuit

**RM** Remote Emergency (max distance 15ft)

### G. OPTIONAL LOW VOLTAGE

**EV** Low Voltage

To be used with DE only.



# EXY™ - SUSPENDED

## TECHNICAL DATA

### LUMINAIRE

<b>Code</b>	<b>515511</b>	<b>515510</b>	<b>515520</b>	<b>515521</b>	<b>515522</b>	<b>515523</b>
<b>Size</b>	Small	Small	Medium	Medium	Medium	Medium
<b>Power (LED)</b>	13W Downlight	26W Downlight	26W Downlight	38W Downlight	26W Down/26W Up	38W Down/26W Up
<b>Direct lms</b>	930	1696	1733	2500	1733	2500
<b>Indirect lms</b>	N/A	N/A	N/A	N/A	1843	1843
<b>LPW</b>	76	65	66	65	69	68
<b>Code</b>	<b>515500</b>	<b>515501</b>	<b>515504</b>	<b>515502</b>	<b>515503</b>	
<b>Size</b>	Large	Large	Large	Large	Large	
<b>Power (LED)</b>	26W Downlight	38W Downlight	56W Downlight	26W Down/26W Up	38W Down/26W Up	
<b>Direct lms</b>	1642	2369	3763	1642	2369	
<b>Indirect lms</b>	N/A	N/A	N/A	1843	1843	
<b>LPW</b>	63	62	67	67	66	

### FINISH



White

Black Metallic  
Textured

Silver Metallic  
Textured

Other Painted Finish (RAL number required)    Other Non-RAL painted finish (sample chip required)

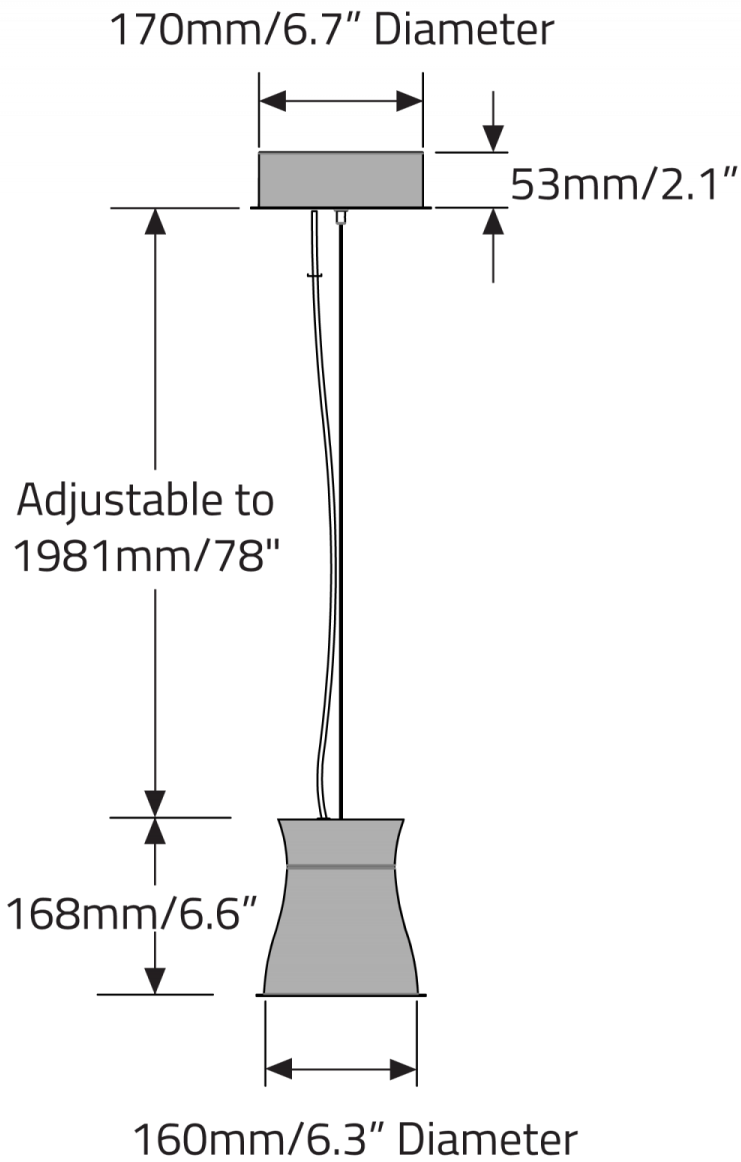
F39 & F40 have a one time set-up charge regardless of quantity.

### APPROVALS

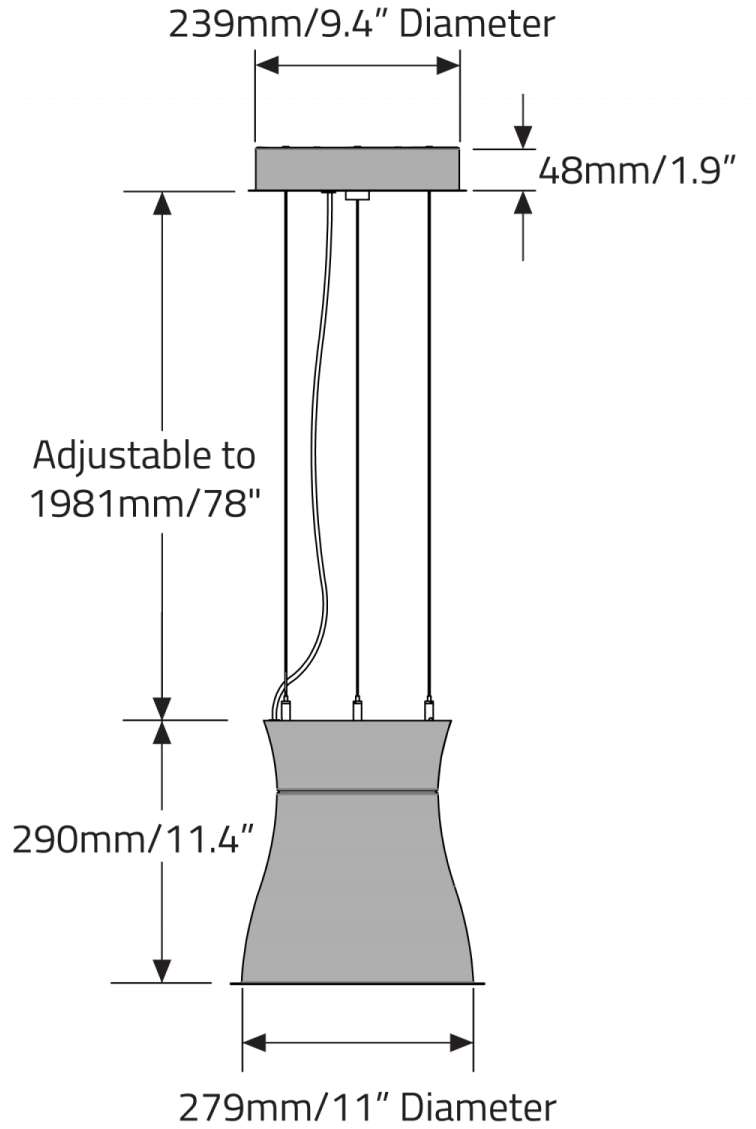


# EXY™ - SUSPENDED

## DIMENSIONAL DIAGRAMS

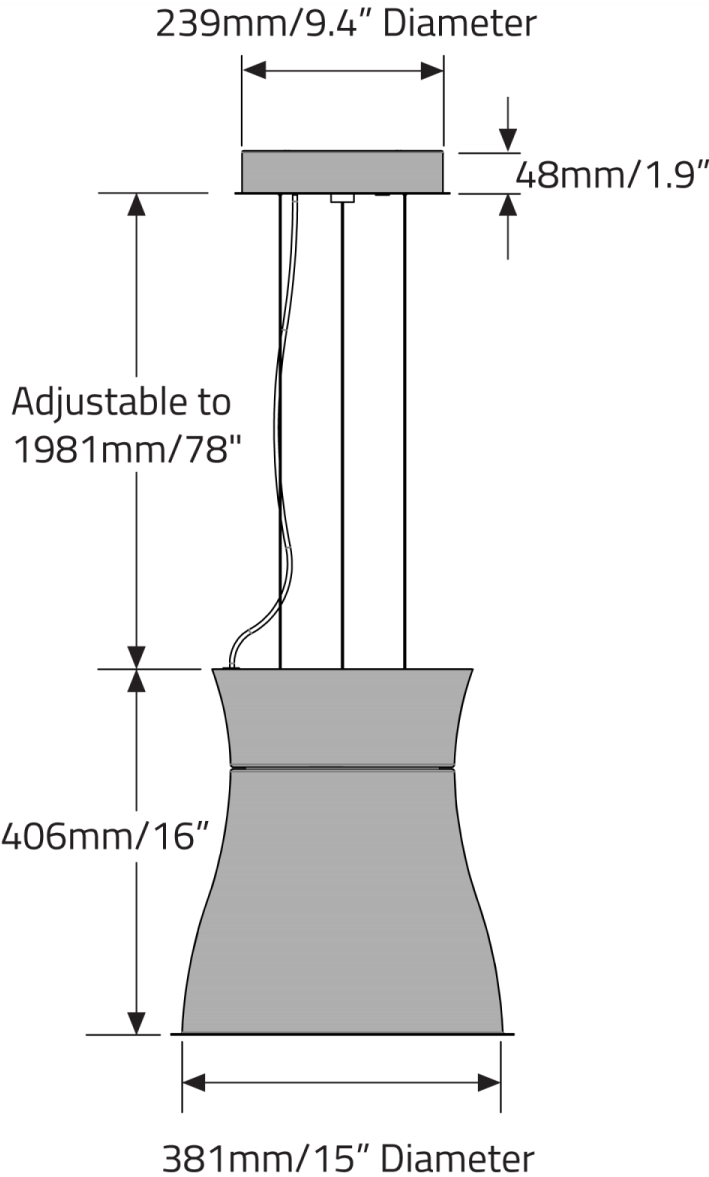


### Small



### Medium

**EXY™ - SUSPENDED**



**Large**