

EXY™ - SUSPENDED



Project Name:

Fixture Type:

Fixture Code:

Quantities:

A. LUMINAIRE

515511 Small 6.3", 13W Downlight, 930 lms Direct, N/A lms Indirect

515510 Small 6.3", 26W Downlight, 1696 lms Direct, N/A lms Indirect

515520 Medium 11", 26W Downlight, 1733 lms Direct, N/A lms Indirect

515521 Medium 11", 38W Downlight, 2500 lms Direct, N/A lms Indirect

515522 Medium 11", 26W Down/26W Up, 1733 lms Direct, 1843 lms Indirect

515523 Medium 11", 38W Down/26W Up, 2500 lms Direct, 1843 lms Indirect

515500 Large 15", 26W Downlight, 1642 lms Direct, N/A lms Indirect

515501 Large 15", 38W Downlight, 2369 lms Direct, N/A lms Indirect

515504 Large 15", 56W Downlight, 3763 lms Direct, N/A lms Indirect

515502 Large 15", 26W Down/26W Up, 1642 lms Direct, 1843 lms Indirect

515503 Large 15", 38W Down/26W Up, 2369 lms Direct, 1843 lms Indirect

B. CCT

30 3000K (min 80 CRI)

35 3500K (min 80 CRI)

40 4000K (min 80 CRI)

C. FINISH

WH White

BL Black Metallic Textured

MS Silver Metallic Textured

F39 Other Painted Finish (RAL number required)

F40 Other Non-RAL painted finish (sample chip required)

F39 & F40 have a one time set-up charge regardless of quantity.

D. DIMMING

D1 0-10V Dimming (1.0%)

D2 0-10V Dimming (0.1%)

DA DALI Dimming (0.1%)

DL DALI Dimming (1.0%)

DE PoE

DE must be used with EV only.

E. DECORATIVE OPTIONS

DS Decorative Disc

DR Decorative Ring

1. Not available with small Exy.
2. **DS** Decorative Disc will reduce lumen output by 14%

F. OPTIONS

TC Twin Circuit

RM Remote Emergency (max distance 15ft)

G. OPTIONAL LOW VOLTAGE

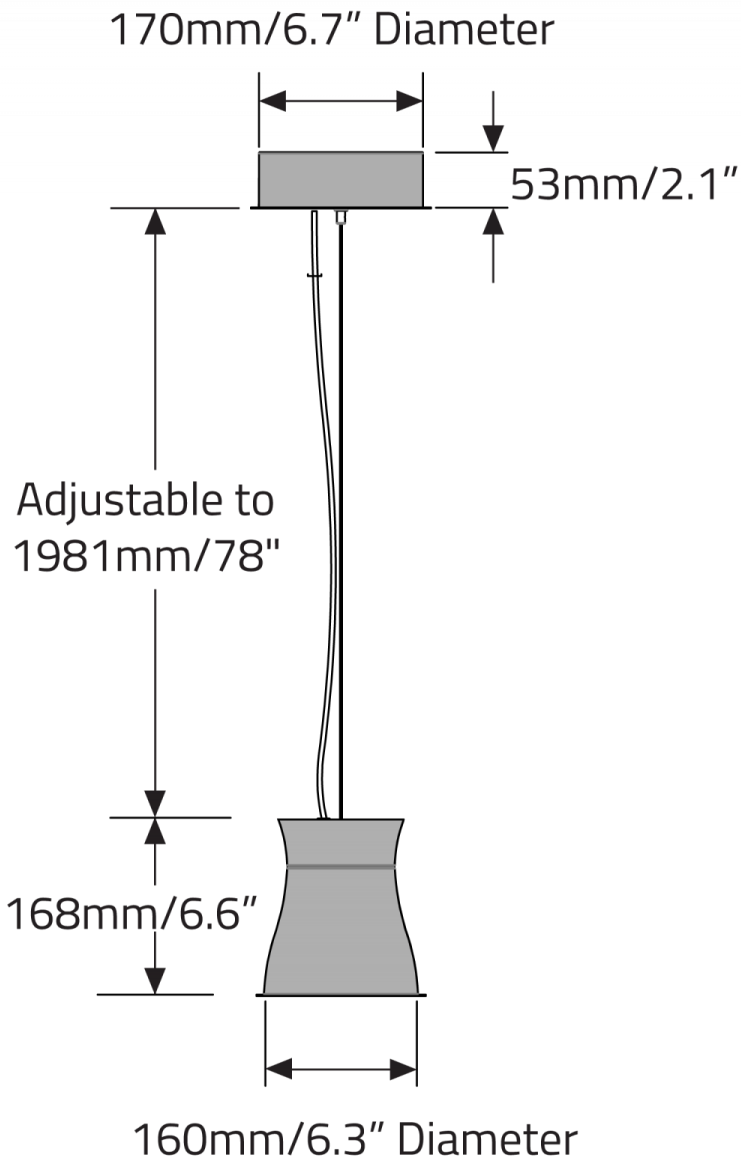
EV Low Voltage

To be used with DE only.

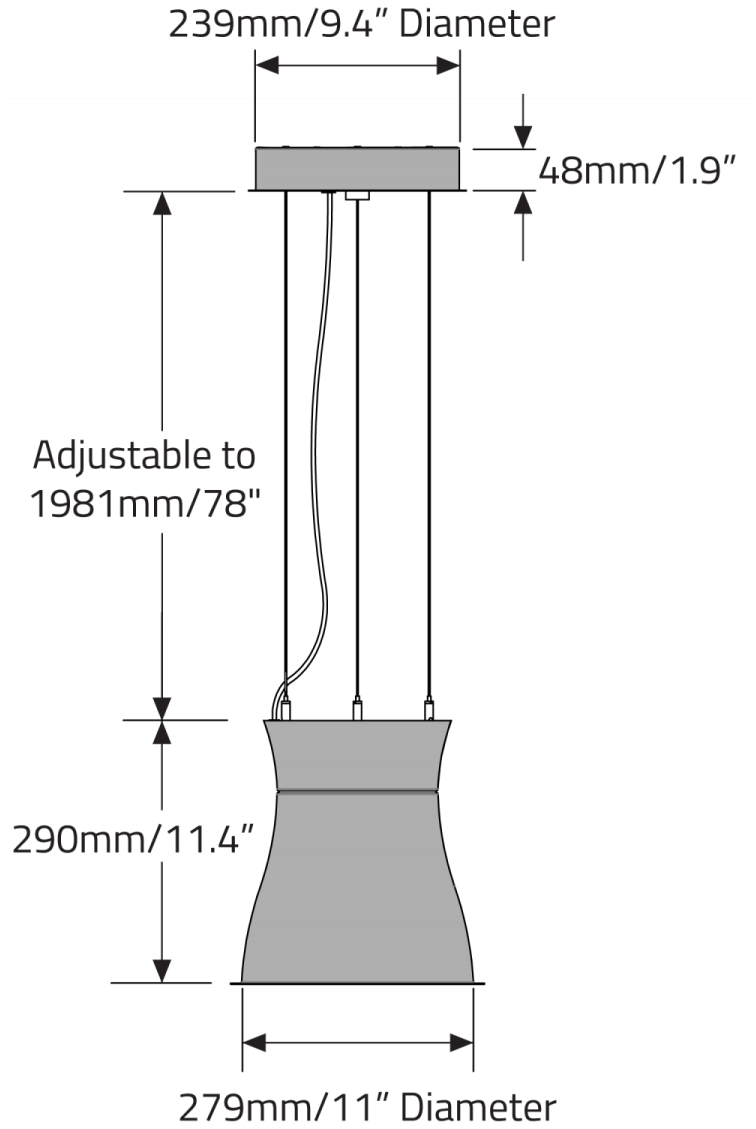


EXY™ - SUSPENDED

DIMENSIONAL DIAGRAMS

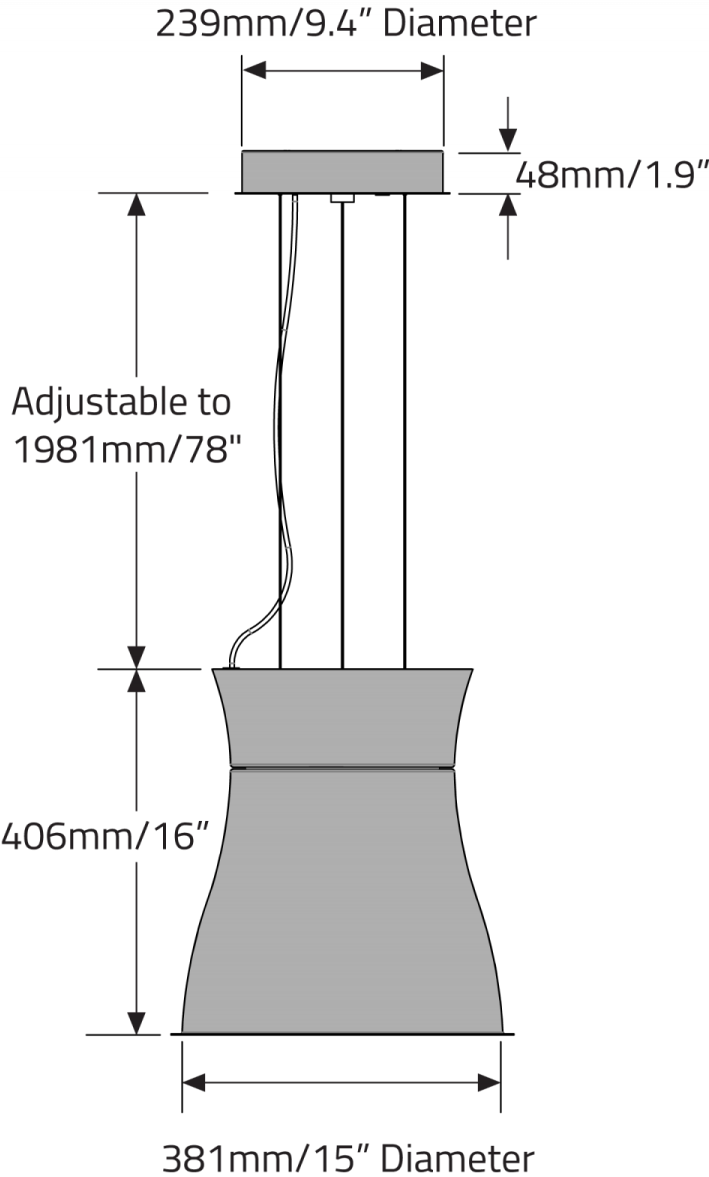


Small



Medium

EXY™ - SUSPENDED



Large