



FELIX™

FULL SPECIFICATION SHEET



FIXTURE TYPE



FIXTURE CODE


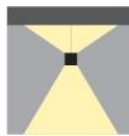
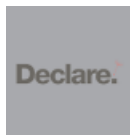



QUANTITIES

1 DESCRIPTION

FELIX is a decorative pendant characterized by a smooth rounded corner triangle that softens the edgy triangle shape. The shape is a compelling way to communicate dynamism and energy, and the hollow form with a 1" profile lends itself to large, spectacular configurations without overpowering. These configurations delight whether in suspended form or patterned on a surface. Along with the 10 finishes, add an extra layer of texture with 13 acoustic panel color options that control sound reflection and make the room experience comfortable with a touch of panache. **FELIX** fits in smaller spaces where the design calls for broader reach with a lightweight feel. Power over Suspension carries the sleek aesthetic and the injection-moulded corners allow for a tight radius.

2 OPTICS & FEATURES

			
Suspended Direct	Suspended Direct/Indirect	Declare	PoE

3 APPROVALS

					
--	---	---	---	---	---

4 GENERAL SPECIFICATION

BODY

Aluminum, Equilateral Triangle

SUSPENSION

Steel cables.

REMOTE MOUNTING OF DRIVERS

Wire size 18 AWG - max distance (from fixture to drivers) 40' (12.2m), wire size 16 AWG - max distance 60' (18.3m), wire size 14 AWG - max distance 90' (27.4m). Drivers must be accessible after installation. For longer remote distances, consult factory.

POE

Can integrate into your data network via Power over Ethernet (PoE) connectivity.

POWER OVER SUSPENSION

Optional for Vertical suspension and standard for Hub suspension.

ACOUSTIC PANELS NRC RATING

0.80

ACOUSTIC PANELS MATERIAL

100% recycled polyester fiber (PET).

DELIVERED LUMENS

Delivered lumens & LPW based on 4000K (min 90 CRI).

APPROVALS

Damp Rated.

ACOUSTIC PANEL MAINTENANCE

Durable and easy to maintain. Dust regularly and clean marks with mild detergent, rinse, and blot.

FINISH

Powder coated

LENS

Frosted acrylic.

DRIVERS

Remote HPF electronic drivers for 120-277V (EU-240V). The driver is integral to the fixture canopy or remote mount depending on which options are selected.

MECHANICAL

Luminaires mount directly over J box (by others - North America only).

SENSORS

Consult factory regarding sensor compatibility.

ACOUSTIC PANELS FIRE RATING

ASTM E84-2018 Class A.

ACOUSTIC PANELS THICKNESS

12mm (0.5")

REPORTED L70 @25°C(77°F)

> 102,000 hrs.

SEISMIC BRACING

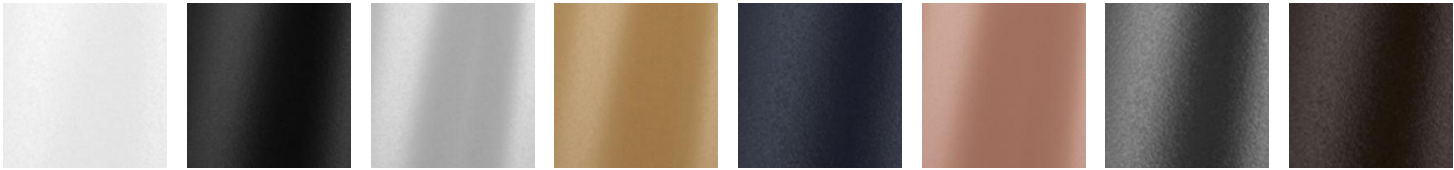
Seismic bracing kits are available to meet compliance requirements. Consult the factory for details.

SUSTAINABILITY

Designed for on-site LED board, driver, and optic replacement. Contact the factory for maintenance documentation.

5 DESIGN OPTIONS

FIXTURE FINISH



White -
Textured

Black
Metallic -
Textured

Silver
Metallic -
Textured

Gold Metallic
- Textured

Midnight
Blue Metallic
- Textured

Copper
Metallic

Charcoal
Metallic -
Textured

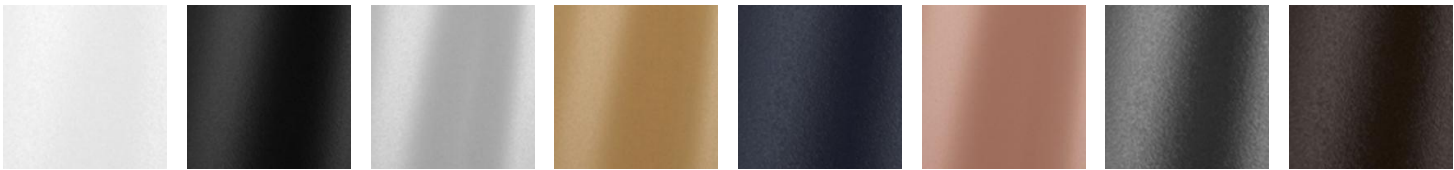
Bronze
Metallic -
Textured



Champagne
Metallic

Red Metallic
- Textured

CANOPY FINISH



White -
Textured

Black
Metallic -
Textured

Silver
Metallic -
Textured

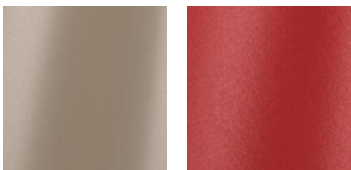
Gold Metallic
- Textured

Midnight
Blue Metallic
- Textured

Copper
Metallic

Charcoal
Metallic -
Textured

Bronze
Metallic -
Textured



Champagne
Metallic

Red Metallic
- Textured

ACOUSTIC PANEL FINISH



Acoustic panels exceeding 48" will have one seam. All other dimensions will be seamless. For accompanying non-illuminating acoustic panels, see our Acoustic Circles, Quads, Triangles, and Ellipse spec pages. Contact factory for larger sizes and additional colors.

6 HOW TO ORDER

1. LUMINAIRE

FELP1P03 3ft, Direct, 2400 lms	FELP1P04 4ft, Direct, 3500 lms	FELP1P05 5ft, Direct, 4700 lms	FELP1P06 6ft, Direct, 5900 lms
FELP1P07 7ft, Direct, 7100 lms	FELP2P03 3ft, Direct/Indirect, 4100 lms	FELP2P04 4ft, Direct/Indirect, 6400 lms	FELP2P05 5ft, Direct/Indirect, 8800 lms
FELP2P06 6ft, Direct/Indirect, 11100 lms	FELP2P07 7ft, Direct/Indirect, 13500 lms		

All data shown at max values.

2. LUMENS/FT - DIRECT

LPF017 175 lm/ft ¹	LPF026 265 lm/ft ²	LPF035 350 lm/ft ³
--------------------------------------	--------------------------------------	--------------------------------------

¹ Based on 50% of total output. ² Based on 75% of total output. ³ 100% of total output.

3. LUMENS/FT - INDIRECT

LPG000 Not required	LPG017 175 lm/ft ¹	LPG026 265 lm/ft ²	LPG035 350 lm/ft ³
----------------------------	--------------------------------------	--------------------------------------	--------------------------------------

¹ Based on 50% of total output. ² Based on 75% of total output. ³ 100% of total output.

4. CRI

CR90 CRI 90+

5. CCT (DIRECT)

CTA27 2700K **CTA30** 3000K **CTA35** 3500K **CTA40** 4000K

6. CCT (INDIRECT)

CTB00 Not required **CTB27** 2700K **CTB30** 3000K **CTB35** 3500K
CTB40 4000K

7. VOLTAGE

V1 120/277V **V2** 240V ¹ **V3** 347V ² **V4** Low Voltage ³

¹ Not available in North America. ² Only available with DA01 dimming. ³ Only available with DA45 dimming.

8. DIMMING (REMOTE)

DA01 0-10V Dimming 1.0% **DA02** 0-10V Dimming 0.1% ¹ **DA20** DALI Dimming 0.1% ¹ **DA21** DALI Dimming 1.0% ¹
DA30 DSI/switchDim ² **DA45** PoE ³

¹ Only available with V1 and V2. ² Not available in North America. ³ Only available with V4.

9. SUSPENSION

SS1 Vertical, Remote driver **SS6** POS, Vertical, Remote driver **SS7** POS, Hub, Remote driver ¹ **SS9** POS, Hub, Driver Integral to Canopy ¹

¹ Available with V1 only.

10. FIXTURE FINISH

FA01 White – Textured **FA02** Black Metallic – Textured **FA20** Silver Metallic – Textured **FA25** Gold Metallic – Textured
FA44 Midnight Blue Metallic – Textured **FA45** Copper Metallic **FA46** Charcoal Metallic – Textured **FA47** Bronze Metallic – Textured
FA52 Champagne Metallic **FA53** Red Metallic – Textured

11. CANOPY FINISH

CF01 White – Textured **CF02** Black Metallic – Textured **CF20** Silver Metallic – Textured **CF25** Gold Metallic – Textured
CF44 Midnight Blue Metallic – Textured **CF45** Copper Metallic **CF46** Charcoal Metallic – Textured **CF47** Bronze Metallic – Textured
CF52 Champagne Metallic **CF53** Red Metallic – Textured

12. ACOUSTIC PANEL COLOR

AP00 Not required	AP02 Citrus	AP04 White	AP08 Red Coffee
AP11 Light Gray	AP13 Apple Green	AP22 Blue	AP26 Sesame Gray
AP27 Black	AP47 Navy Peony	AP60 Pure Red	AP73 Cloudburst
AP89 Douglas Fir	APW01 Oak		

Acoustic panels exceeding 48" will have one seam. All other dimensions will be seamless. For accompanying non-illuminating acoustic panels, see our Acoustic Circles, Quads, Triangles, and Ellipse spec pages. Contact factory for larger sizes and additional colors.

13. EMERGENCY

E0 Not required	E2 Emergency system - Remote
------------------------	-------------------------------------

14. CIRCUITS

CS1 Single circuit	CS2 Dual circuit
---------------------------	-------------------------

7 TECHNICAL DATA

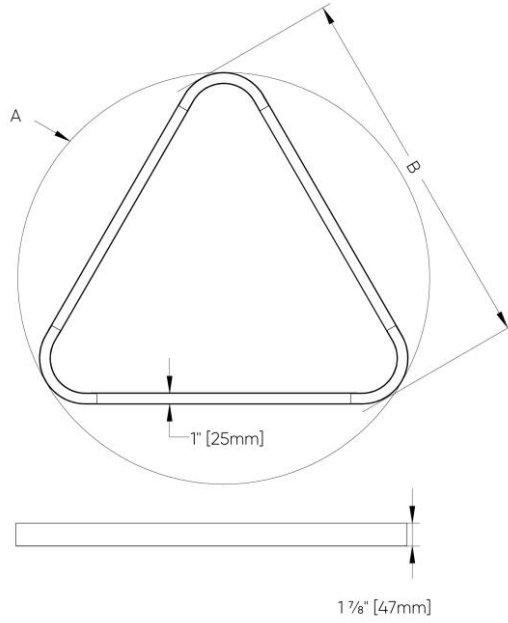
LUMINAIRE

All data shown at max values.

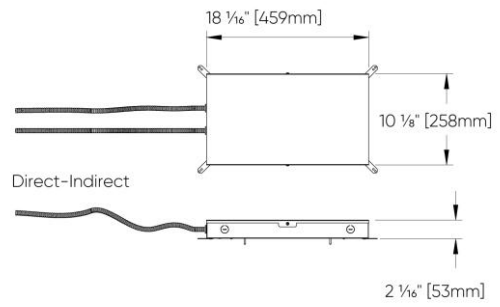
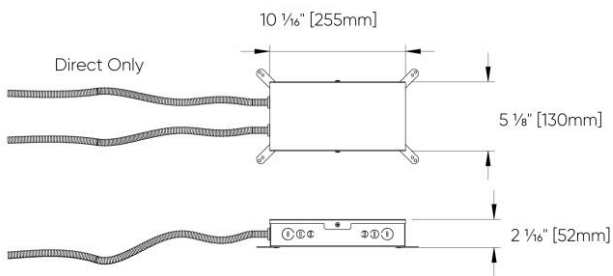
Code	FELP1P03	FELP1P04	FELP1P05	FELP1P06	FELP1P07	FELP2P03
Length	3ft	4ft	5ft	6ft	7ft	3ft
Light Direction	Direct	Direct	Direct	Direct	Direct	Direct/Indirect
Wattage	20	31	41	51	61	36
Delivered lms	2400	3500	4700	5900	7100	4100
LPW	116	116	116	116	116	116

Code	FELP2P04	FELP2P05	FELP2P06	FELP2P07
Length	4ft	5ft	6ft	7ft
Light Direction	Direct/Indirect	Direct/Indirect	Direct/Indirect	Direct/Indirect
Wattage	56	76	96	116
Delivered lms	6400	8800	11100	13500
LPW	116	116	116	116

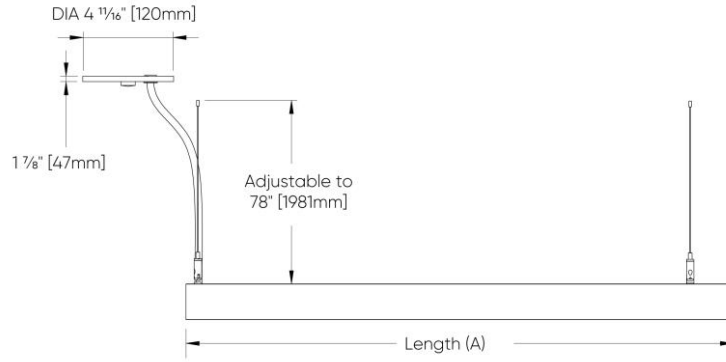
8 DIMENSIONAL DIAGRAMS



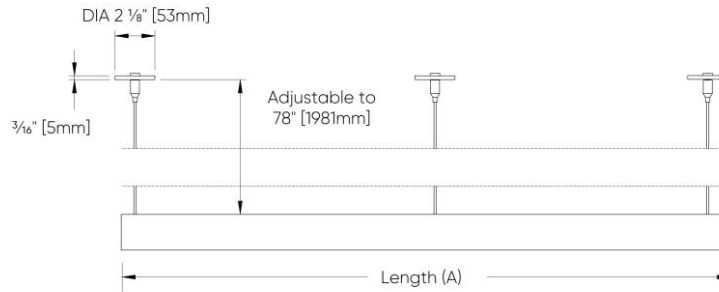
SIZE	DIM A	DIM B
3ft	35 1/16" [907mm]	32" [813mm]
4ft	49 3/8" [1259mm]	44" [1117mm]
5ft	62 5/16" [1581mm]	55" [1397mm]
6ft	76 1/8" [1933mm]	67" [1702mm]
7ft	90" [2235mm]	79" [2006mm]



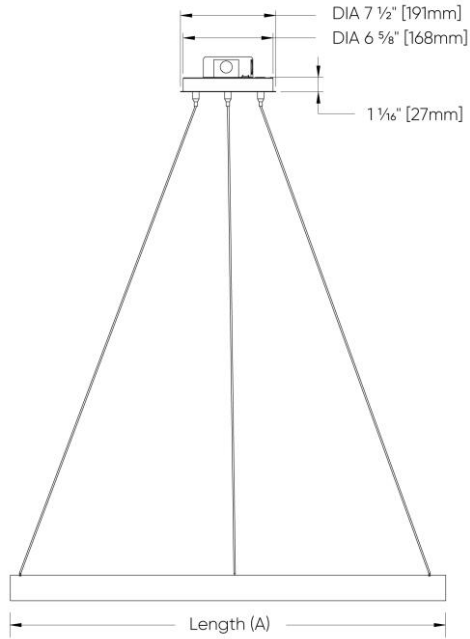
SS1



SS6

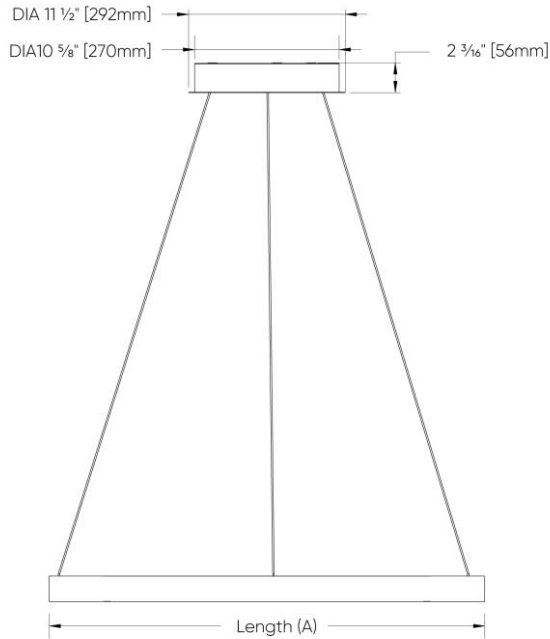


SS7



SIZE	MIN HEIGHT	MAX HEIGHT
3ft	24" [610mm]	78" [1981mm]
4ft	24" [610mm]	78" [1981mm]
5ft	36" [914mm]	78" [1981mm]
6ft	36" [914mm]	78" [1981mm]
7ft	42" [1067mm]	78" [1981mm]

SS9



SIZE	MIN HEIGHT	MAX HEIGHT
3ft	24" [610mm]	78" [1981mm]
4ft	24" [610mm]	78" [1981mm]
5ft	36" [914mm]	78" [1981mm]
6ft	36" [914mm]	78" [1981mm]
7ft	42" [1067mm]	78" [1981mm]