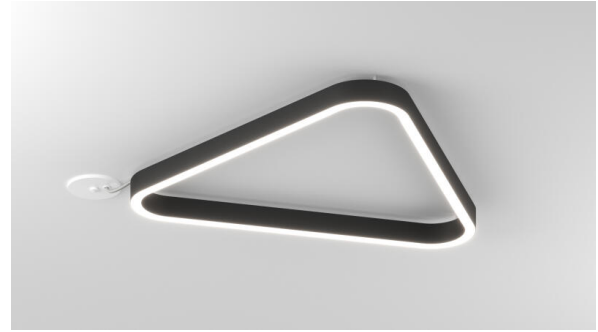


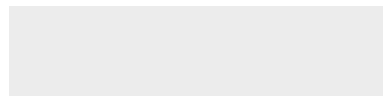


FELIX™

FULL SPECIFICATION SHEET



FIXTURE TYPE



FIXTURE CODE



QUANTITIES

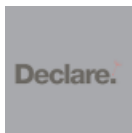
1 DESCRIPTION

FELIX is a decorative pendant characterized by a smooth rounded corner triangle that softens the edgy triangle shape. The shape is a compelling way to communicate dynamism and energy, and the hollow form with a 1" profile lends itself to large, spectacular configurations without overpowering. These configurations delight whether in suspended form or patterned on a surface. Along with the 10 finishes, add an extra layer of texture with 13 acoustic panel color options that control sound reflection and make the room experience comfortable with a touch of panache. **FELIX** fits in smaller spaces where the design calls for broader reach with a lightweight feel. Power over Suspension carries the sleek aesthetic and the injection-moulded corners allow for a tight radius.

2 OPTICS & FEATURES



Ceiling Direct



Declare



PoE

3 APPROVALS



DAMP
LOCATION



IP20

4 GENERAL SPECIFICATION

BODY

Aluminum, Equilateral Triangle

FINISH

Powder coated

DRIVERS

Remote HPF electronic drivers for 120-277V (EU-240V).

REMOTE MOUNTING OF DRIVERS

Wire size 18 AWG - max distance (from fixture to drivers) 40' (12.2m), wire size 16 AWG - max distance 60' (18.3m), wire size 14 AWG - max distance 90' (27.4m). Drivers must be accessible after installation. For longer remote distances, consult factory.

MECHANICAL

Luminaires mount directly over J box (by others - North America only).

ACOUSTIC PANELS NRC RATING

0.80

ACOUSTIC PANELS MATERIAL

100% recycled polyester fiber (PET).

DELIVERED LUMENS

Delivered lumens & LPW based on 4000K (min 90 CRI).

APPROVALS

Damp Rated.

SUSTAINABILITY

Designed for on-site LED board, driver, and optic replacement. Contact the factory for maintenance documentation.

LENS

Frosted acrylic.

POE

Can integrate into your data network via Power over Ethernet (PoE) connectivity.

SENSORS

Consult factory regarding sensor compatibility.

ACOUSTIC PANELS FIRE RATING

ASTM E84-2018 Class A.

ACOUSTIC PANELS THICKNESS

12mm (0.5")

REPORTED L70 @25°C(77°F)

> 102,000 hrs.

ACOUSTIC PANEL MAINTENANCE

Durable and easy to maintain. Dust regularly and clean marks with mild detergent, rinse, and blot.

5 DESIGN OPTIONS

FIXTURE FINISH



ACOUSTIC PANEL FINISH



Acoustic panels exceeding 48" will have one seam. All other dimensions will be seamless. For accompanying non-illuminating acoustic panels, see our Acoustic Circles, Quads, Triangles, and Ellipse spec pages. Contact factory for larger sizes and additional colors.

6 HOW TO ORDER

1. LUMINAIRE

- FELC1C03 3ft, 2400 lms
 - FELC1C04 4ft, 3500 lms
 - FELC1C05 5ft, 4700 lms
 - FELC1C06 6ft, 5900 lms
- FELC1C07 7ft, 7100 lms

All data shown at max values.

2. LUMENS/FT - DIRECT

LPF017 175 lm/ft ¹

LPF026 265 lm/ft ²

LPF035 350 lm/ft ³

¹ Based on 50% of total output. ² Based on 75% of total output. ³ 100% of total output.

3. CRI

CR90 CRI 90+

4. CCT

CTA27 2700K

CTA30 3000K

CTA35 3500K

CTA40 4000K

5. VOLTAGE

V1 120/277V

V2 240V ¹

V3 347V ²

V4 Low Voltage ³

¹ Not available in North America. ² Only available with DA01 dimming. ³ Only available with DA45 dimming.

6. DIMMING (REMOTE)

DA01 0-10V Dimming 1.0%

DA02 0-10V Dimming 0.1% ¹

DA20 DALI Dimming 0.1% ¹

DA21 DALI Dimming 1.0% ¹

DA30 DSI/switchDim ²

DA45 PoE ³

¹ Only available with V1 and V2. ² Not available in North America. ³ Only available with V4.

7. FIXTURE FINISH

FA01 White - Textured

FA02 Black Metallic - Textured

FA20 Silver Metallic - Textured

FA25 Gold Metallic - Textured

FA44 Midnight Blue Metallic - Textured

FA45 Copper Metallic

FA46 Charcoal Metallic - Textured

FA47 Bronze Metallic - Textured

FA52 Champagne Metallic

FA53 Red Metallic - Textured

8. ACOUSTIC PANEL COLOR

AP00 Not required

AP02 Citrus

AP04 White

AP08 Red Coffee

AP11 Light Gray

AP13 Apple Green

AP22 Blue

AP26 Sesame Gray

AP27 Black

AP47 Navy Peony

AP60 Pure Red

AP73 Cloudburst

AP89 Douglas Fir

APW01 Oak

Acoustic panels exceeding 48" will have one seam. All other dimensions will be seamless. For accompanying non-illuminating acoustic panels, see our Acoustic Circles, Quads, Triangles, and Ellipse spec pages. Contact factory for larger sizes and additional colors.

9. EMERGENCY

E0 Not required

E2 Emergency system - Remote

7 TECHNICAL DATA

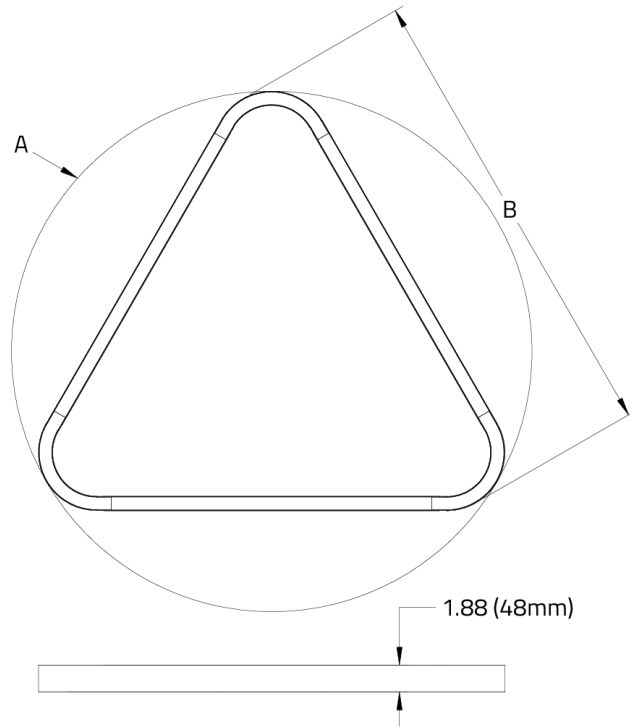
LUMINAIRE

All data shown at max values.

Code	FELC1C03	FELC1C04	FELC1C05	FELC1C06	FELC1C07
Length	3ft	4ft	5ft	6ft	7ft
Wattage	20	31	41	51	61
Delivered lms	2400	3500	4700	5900	7100
LPW	116	116	116	116	116

8 DIMENSIONAL DIAGRAMS

SIZE	DIM A	DIM B
3ft	35.7" (907mm)	32.0" (813mm)
4ft	49.6" (1259mm)	44.0" (1117mm)
5ft	62.3" (1581mm)	55.0" (1397mm)
6ft	76.1" (1933mm)	67.0" (1702mm)
7ft	90.0" (2285mm)	79.0" (2006mm)



Remote box

