



# FLUID™

## FULL SPECIFICATION SHEET



Fixture Type

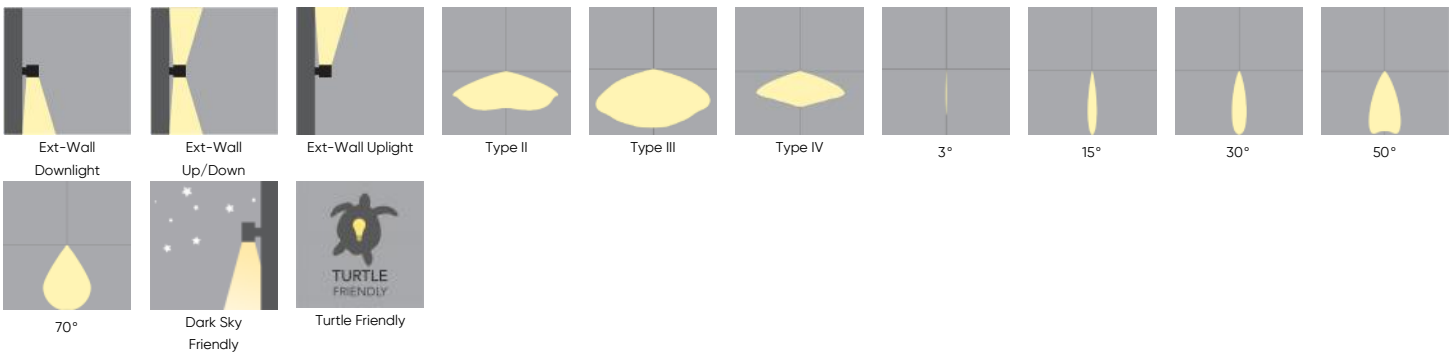
Fixture Code

Quantities

### 1 DESCRIPTION

Distinguished by its wall-mount design, **FLUID** adds sophistication to the cylinder-style design. Its signature tapered form merges effortlessly with the architecture, providing a natural extension to the wall while ensuring precise illumination. Featuring a gimbal with a +/- 30° tilting range that locks at 10° increments, allowing for precise angling, **FLUID** incorporates ten advanced optics utilizing three LED technologies – Multi-lens Array, Chip on Board (COB), and Area Optics – to tackle diverse lighting challenges. Committed to ecological responsibility, **FLUID** is Dark Sky Friendly when the direct light option is paired with a CCT of 3000K. This ensures minimal light spill and skyglow, safeguarding the nocturnal habitat and contributing to a greener planet.

### 2 OPTICS & FEATURES



### 3 APPROVALS



**4 GENERAL SPECIFICATION**

**HOUSING**

Die-cast and extruded aluminum.

**LENS**

Clear glass. Shatterproof lens available, consult factory.

**FINISH**

Powder coated.

**DRIVERS**

HPF, electronic for 120-277V (EU-240V).

**DELIVERED LUMENS**

Delivered lumens & LPW based on 4000K (min 80 CRI).

**BUG RATING (DIRECT LIGHT):**

Type II, III, IV: B1-U0-G1

Type IV: B3-U0-G0

**HARDWARE**

Vandal proof hardware included.

**EXTERNAL SCREWS**

Stainless steel.

**GASKETS**

Single piece silicone.

**MOUNTING**

Fixture mounts to a 2"x4" switch box (supplied by others).

**MINIMUM STARTING TEMPERATURE**

-30°C. (when equipped with the arctic driver)

**DARK SKY FRIENDLY**

Dark Sky Friendly if ordered with 3000K CCT and below. Direct only.

**TURTLE FRIENDLY**

Amber (590nm) for Turtle Friendly compliance.

**REPORTED L70 @25°C (77°F)**

> 60,000 hrs

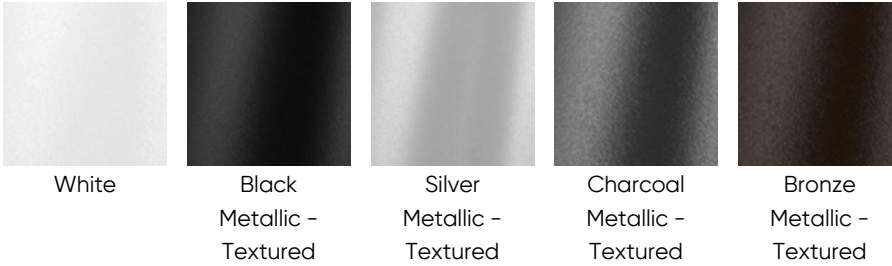
**5 DESIGN OPTIONS**

**FIXTURE FINISH**



<sup>1</sup> Longer than normal lead times may apply, consult factory.

## BEZEL FINISH



Shatterproof lens available, consult factory.

## 6 HOW TO ORDER

### 1. LUMINAIRE

FLDW Wall

Mounts to 2"x4" switch box (supplied by others).

### 2. DIAMETER

DR04 4" <sup>1</sup>

DR06 6"

<sup>1</sup> Fluid 4" will be available in January 2026.

### 3. DIRECTION

DT1 Direct (10" housing) <sup>1 2</sup>

DT2 Direct/Indirect (12"/14" housing) <sup>3</sup>

<sup>1</sup> Wall mount "direct only" can be installed pointing up or down.

<sup>2</sup> Direct will have a 10" tall housing.

<sup>3</sup> Direct/Indirect 4" diameter will have a 12" tall housing & 6" diameter will have a 14" tall housing.

### 4. LIGHT SOURCE

DN01 LEDs / Multi-Array Optics <sup>1</sup>    DN02 COB / Reflector

\* All data based on max output and nominal values.

<sup>1</sup> Available for 6" diameter only.

## 5. CRI

**CR00** Not required (For Amber Light)      **CR80** CRI 80+

## 6. CCT

**CTA27** 2700K                      **CTA30** 3000K                      **CTA35** 3500K                      **CTA40** 4000K  
**CTA62** Amber (Turtle Friendly) <sup>1</sup>

<sup>1</sup> Available for 6" diameter with LEDs / Multi-Array Optics and 50° direct distribution.

## 7. DISTRIBUTION DIRECT

**BAT2** Type II <sup>1</sup>                      **BAT3** Type III <sup>1</sup>                      **BA03** 3° <sup>2</sup>                      **BA15** 15° <sup>3 4 5</sup>  
**BA30** 30° <sup>3 4 5</sup>                      **BA50** 50° <sup>3 4</sup>                      **BA70** 70° <sup>3 5</sup>

<sup>1</sup> Available for 6" Direct, with LEDs / Multi-Array Optics distribution, not recommended for Indirect use. Available with Direct lumens of 2000, 2500 and 3000.

<sup>2</sup> Available for 6" with LEDs / Multi-Array Optics distribution and Wall mount. There may be a +/- 250K variance in color temperature. The head is not adjustable.

<sup>3</sup> Available for 6" with LEDs / Multi-Array Optics distribution.

<sup>4</sup> Available for 6" with COB / Reflector.

<sup>5</sup> Available for 4" with COB / Reflector.

## 8. DISTRIBUTION INDIRECT

**BB00** Not required                      **BB03** 3° <sup>1</sup>                      **BB15** 15° <sup>2 3 4</sup>                      **BB30** 30° <sup>2 3 4</sup>  
**BB50** 50° <sup>2 3</sup>                      **BB70** 70° <sup>2 4</sup>

<sup>1</sup> Available for 6" with LEDs, Indirect, and Wall version only. There may be a +/- 250K variance in color temperature. The head is not adjustable.

<sup>2</sup> Available for 6" with LEDs / Multi-Array Optics distribution.

<sup>3</sup> Available for 6" with COB / Reflector.

<sup>4</sup> Available for 4" with COB / Reflector.

## 9. LUMENS DIRECT

**LMA0005** 59 lms <sup>1</sup>

**LMA0040** 400 lms <sup>2</sup>

**LMA0200** 2000 lms

**LMA0300** 3000 lms

**LMA0400** 4000 lms <sup>4</sup>

<sup>1</sup> Available for 6" diameter with 3° Direct distribution only.

<sup>2</sup> Available for 6" diameter and Amber (Turtle Friendly) light only.

<sup>3</sup> Available for 4" and 6" diameters with Direct only.

<sup>4</sup> Available for 6" diameter and Direct only.

## 10. LUMENS INDIRECT

**LMB0000** Not required

**LMB0005** 59 lms <sup>1</sup>

**LMB0200** 2000 lms

**LMB0300** 3000 lms

<sup>1</sup> Available for 3° Indirect distribution.

## 11. VOLTAGE

**V1** 120/277V

**V2** 240V <sup>1</sup>

<sup>1</sup> Not available in North America.

## 12. DIMMING

**DA01** 0-10V Dimming 1.0%

**DA11** 0-10V Dimming 1.0% - Arctic driver<sup>1 3</sup>

**DA12** 0-10V Dimming 1.0% - Desert driver <sup>2 3</sup>

**DA21** DALI Dimming 1.0% <sup>3</sup>

<sup>1</sup> Capable of operating at -30 °C (-22°F) to ambient temperature.

<sup>2</sup> Capable of operating at +50 °C (+122°F) ambient temperature.

<sup>3</sup> Consult factory.

## 13. FIXTURE FINISH

**FA01** White

**FA02** Black Metallic - Textured

**FA20** Silver Metallic - Textured

**FA27** Wood grain - Light Cherry <sup>1</sup>

**FA28** Wood grain - Dark Walnut <sup>1</sup> **FA30** Wood grain - White Oak <sup>1</sup>

**FA46** Charcoal Metallic - Textured

**FA47** Bronze Metallic - Textured

<sup>1</sup> Longer than normal lead times may apply, consult factory.

**14. BEZEL FINISH**

**FB01** White

**FB02** Black Metallic - Textured

**FB20** Silver Metallic - Textured

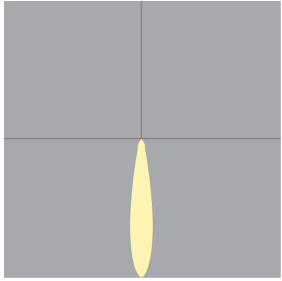
**FB46** Charcoal Metallic -  
Textured

**FB47** Bronze Metallic - Textured

Shatterproof lens available, consult factory.

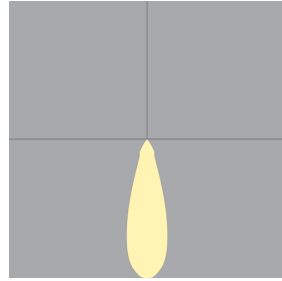
**7** PERFORMANCE DATA

**6" 15° BEAM, TYPE V - COB**



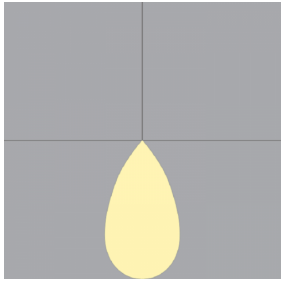
LUMENS	WATTS	LPW
2000	20	119
2500	23	117
3000	27	116
3500	31	114
4000	34	112

**6" 30° BEAM, TYPE V - COB**



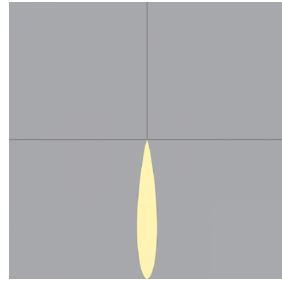
LUMENS	WATTS	LPW
2000	20	118
2500	23	116
3000	27	115
3500	31	113
4000	34	111

**6" 50° BEAM, TYPE V - COB**



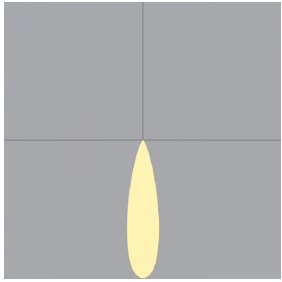
LUMENS	WATTS	LPW
2000	20	124
2500	23	122
3000	27	121
3500	31	119
4000	34	117

**6" 15° BEAM, TYPE V - LED**



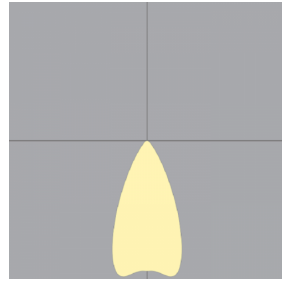
LUMENS	WATTS	LPW
2000	16	123
2500	22	120
3000	25	116
3500	32	115
4000	37	110

**6" 30° BEAM, TYPE V - LED**



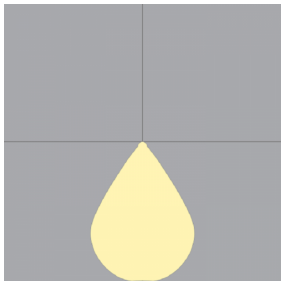
LUMENS	WATTS	LPW
2000	16	125
2500	22	122
3000	25	118
3500	32	115
4000	37	112

**6" 50° BEAM, TYPE V - LED**



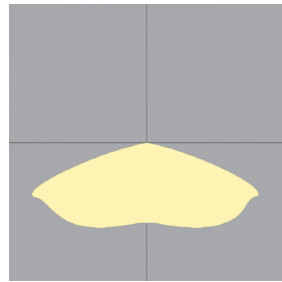
LUMENS	WATTS	LPW
2000	16	119
2500	22	116
3000	25	112
3500	32	109
4000	37	106

**6" 70° BEAM, TYPE V - LED**



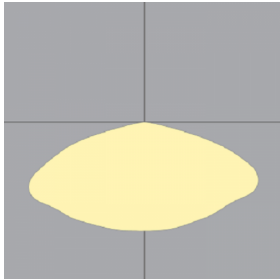
LUMENS	LUMENS	LPW
2000	16	119
2500	22	117
3000	25	113
3500	32	109
4000	37	107

**6" TYPE II BEAM**



LUMENS	WATTS	LPW
2000	19	112
2500	27	103
3000	34	97

**6" TYPE III BEAM**



**LUMENS**

2000
2500
3000

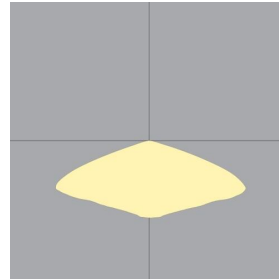
**WATTS**

19
27
34

**LPW**

109
100
94

**6" TYPE IV BEAM**



**LUMENS**

2000
2500
3000

**WATTS**

19
27
34

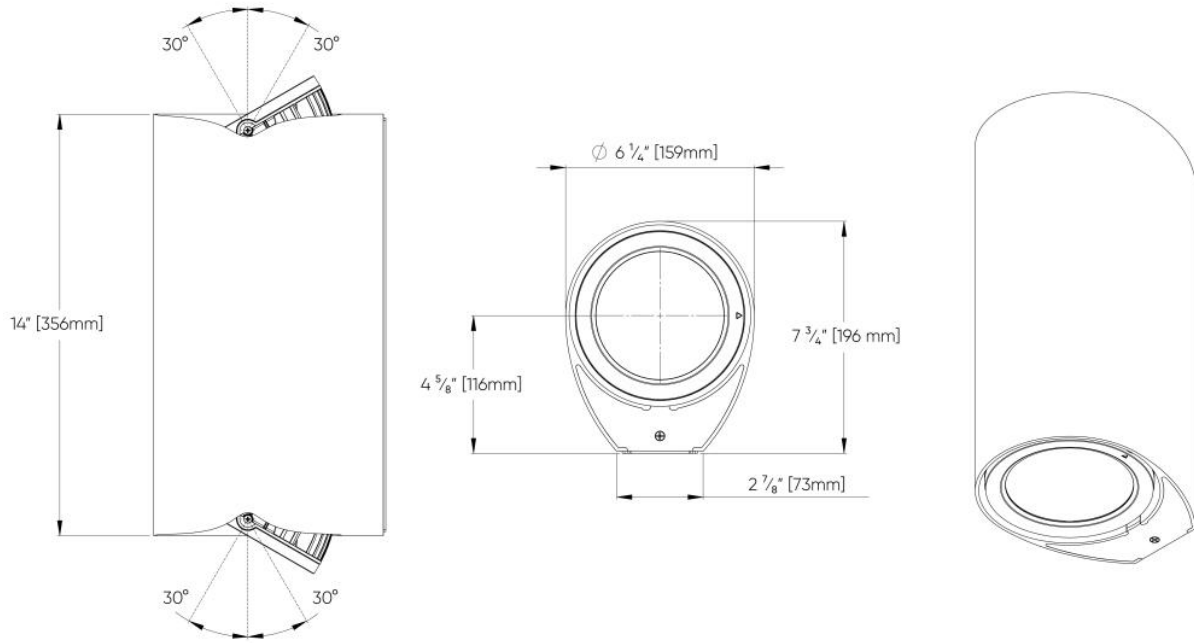
**LPW**

105
96
90

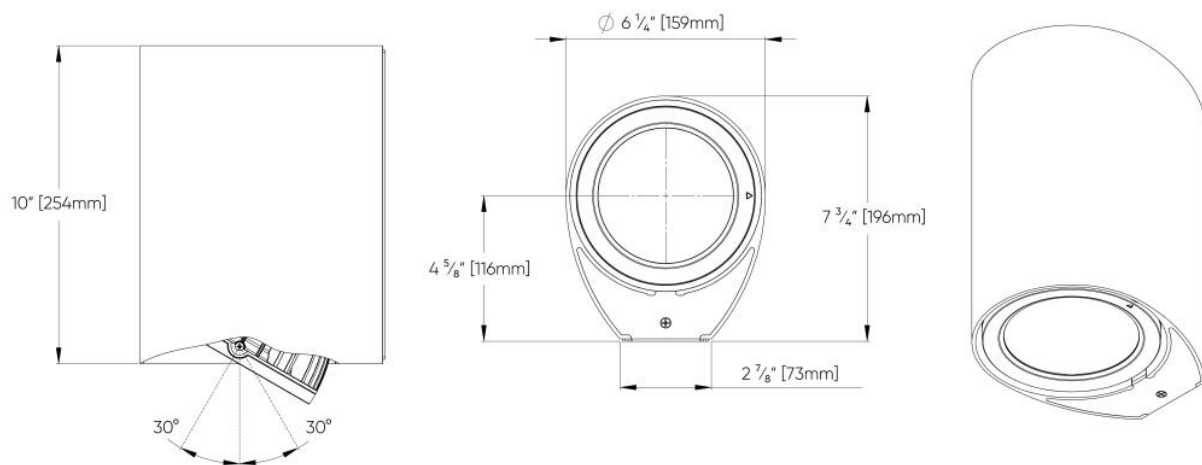


**8** DIMENSIONAL DIAGRAMS

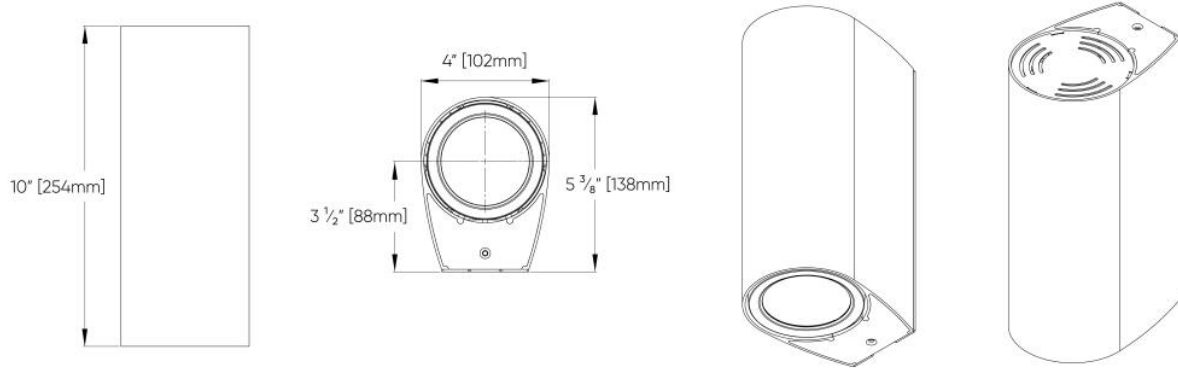
**6"- Full-Size Fluid Wall Mount Direct-Indirect Only**



**6"- Fluid Wall Mount Direct or Indirect only**



**4"- Fluid Direct Only**



**4"- Fluid Direct-Indirect**

