



Project Name:

Fixture Type:

Fixture Code:

Quantities:

A. LUMINAIRE

FLDW Wall

Mounts to 2"x4" switch box (supplied by others).

B. DIAMETER

DR06 6"

C. DIRECTION

DT1 Direct ¹

DT2 Direct/Indirect

¹ Wall mount direct only can also be installed as indirect only.

D. LIGHT SOURCE

DN01 LEDs / Multi-Array Optics

DN02 COB / Reflector

All data based on max output and nominal values.

E. CRI

CR00 Not required (For Amber Light)

CR80 CRI 80+

F. CCT

CTA27 2700K ¹

CTA30 3000K

CTA35 3500K

CTA40 4000K

CTA62 Amber (Turtle Friendly) ²

¹ Longer than normal lead times may apply, consult factory.

² Available for LED Direct only.

G. DISTRIBUTION DIRECT

BAT2 Type II ¹

BAT3 Type III ¹

BA03 3° ²

BA15 15° ³

BA30 30° ³

BA50 50° ⁴

BA70 70° ³

¹ Available for Direct and LEDs / Multi-Array Optics distribution only, not recommended for Indirect use. Available with Direct lumens of 2000 and 3000, not 4000.

² Available for LEDs / Multi-Array Optics distribution. There may be a +/- 250K variance in color temperature. The head is not adjustable.

³ Available for LEDs / Multi-Array Optics distribution.

⁴ Available for LEDs / Multi-Array Optics distribution or COB / Reflector.

H. DISTRIBUTION INDIRECT

BB00 Not required

BB03 3° ¹

BB15 15° ²

BB30 30° ²

BB50 50° ³

BB70 70° ²

¹ Available for LEDs and Indirect only. There may be a +/- 250K variance in color temperature. The head is not adjustable.

² Available for LEDs / Multi-Array Optics distribution only.

³ Available for LEDs / Multi-Array Optics distribution and COB / Reflector.



I. LUMENS DIRECT

LMA0005 59 lms¹

LMA0040 400 lms²

LMA0200 2000 lms

LMA0300 3000 lms

LMA0400 4000 lms³

¹ Available for 3° Direct distribution.

² Available for Amber (Turtle Friendly) light.

³ Available for Direct only, 15°, 30°, 50°, and 70°.

J. LUMENS INDIRECT

LMB0000 Not required

LMB0005 59 lms¹

LMB0200 2000 lms

LMB0300 3000 lms

¹ Available for 3° Indirect distribution.

K. VOLTAGE

V1 120/277V

V2 240V¹

¹ Not available in North America

L. DIMMING

DA01 0-10V Dimming 1.0%

DA11 0-10V Dimming 1.0% - Arctic^{1 3}

DA12 0-10V Dimming 1.0% - Desert^{2 3}

DA21 DALI Dimming 1.0%³

¹ Capable of operating at -30°C (-22°F) to ambient temperature

² Capable of operating at +50°C (+122°F) ambient temperature

³ Consult factory

M. FIXTURE FINISH

FA01 White

FA02 Black Metallic - Textured

FA20 Silver Metallic - Textured

FA27 Wood grain - Light Cherry¹

FA28 Wood grain - Dark Walnut¹

FA46 Charcoal Metallic - Textured

FA47 Bronze Metallic - Textured

¹ Longer than normal lead times may apply, consult factory.

N. BEZEL FINISH

FB01 White

FB02 Black Metallic - Textured

FB20 Silver Metallic - Textured

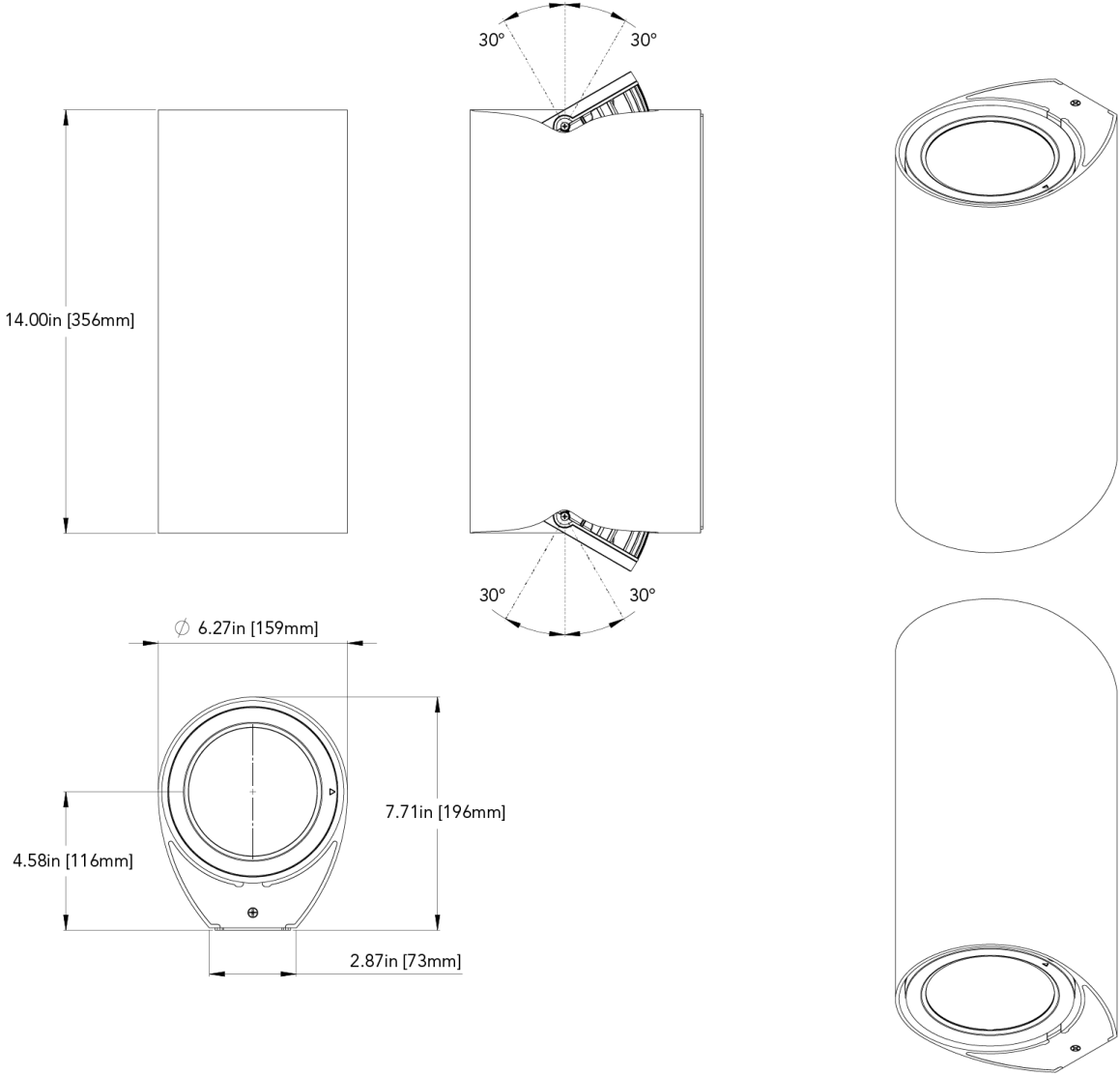
FB46 Charcoal Metallic - Textured

FB47 Bronze Metallic - Textured

Shatterproof lens available, consult factory.

DIMENSIONAL DIAGRAMS

6"- Full-Size Fluid Wall Mount Direct-Indirect Only



6"- Fluid Wall Mount Direct/Indirect Only

