

FRAMED™ - IP65 - WALL

Project Name:

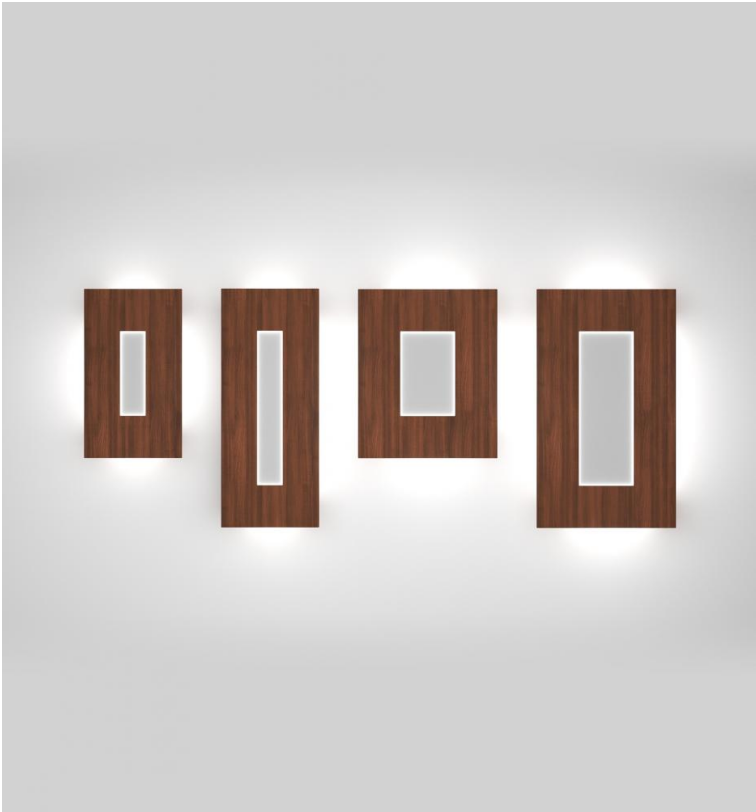
Fixture Type:

Fixture Code:

Quantities:



FRAMED™ - IP65 - WALL



FRAMED™ - IP65 - WALL

FRAMED is a low-profile exterior light that blends with facades and enhances building architecture. The combination of center and back illumination creates a 3-dimensional effect that embellishes plain walls while complementing the exterior landscape. A combination of 2 finishes can be selected: one for the center panel, and one for the perimeter panel, adding another dimension to the impact **FRAMED** can have on your exterior design.

GENERAL SPECIFICATION

Housing

Robust aluminum housing.

Gaskets

One piece silicone.

Diffuser

High impact acrylic with silicon gasket.

Minimum Starting Temperature

-20°C.

Remote Emergency

Emergency option provides a 1.5 hour (3 hours for EU) emergency lighting facility. The remote system includes the inverter module, NiCad batteries and a remote wall/ceiling LED charge indicator and test switch (NA only) Maximum distance between wall/ceiling plate and luminaire is 4.5m/15'. Test switch fits a single gang box (not supplied).

Delivered Lumens

Delivered lumens & LPW based on 4000K (min 80 CRI).

Finish

Exterior grade, powder coated paint.

Reflector

Stainless Steel.

Drivers

HPF electronic, 120-277V (EU-240V).

Rating

IP65 wet location

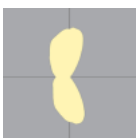
Mechanical

Mounts directly over a standard electrical junction box (by others - North America only).

MOUNTING & OPTICS



Ext-Wall (Framed)



General Diffuse

FRAMED™ - IP65 - WALL

HOW TO ORDER

A. LUMINAIRE

130000 Type A, 1105 lms

130010 Type B, 1874 lms

130020 Type C, 1408 lms

130030 Type D, 2179 lms

Calculations based on Silver Metallic finish.

B. CCT

30 3000K (min 80 CRI)

40 4000K (min 80 CRI)

C. DIMMING

DB 0-10V Dimming (10%)¹

¹ Dimming is equal to or less than 10%.

D. FIXTURE FINISH

F2 Black Metallic Textured

F20 Silver Metallic Textured

F47 Bronze Metallic Textured

F27 Wood grain - Light Cherry

F28 Wood grain - Dark Walnut

F29 Stainless steel

F27 & F28 Available upon request and longer than normal lead times may apply, consult factory.

E. CENTER PANEL FINISH

WH White

BL Black Metallic Textured

MS Silver Metallic Textured

BM Bronze Metallic Textured

Z1 Wood grain - Light Cherry

Z2 Wood grain - Dark Walnut

SS Stainless steel

Z1 & Z2 Available upon request and longer than normal lead times may apply, consult factory.

F. REMOTE EMERGENCY

RE Remote Emergency



FRAMED™ - IP65 - WALL

TECHNICAL DATA

LUMINAIRE

Calculations based on Silver Metallic finish.

Code	130000	130010	130020	130030
Style	Type A	Type B	Type C	Type D
Power (LED)	21W	35W	28W	42W
Delivered lms	1105	1874	1408	2179
LPW	53	54	51	52

LUMINAIRE



Type A, 1105 lms



Type B, 1874 lms



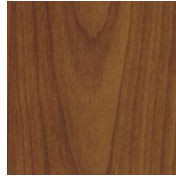
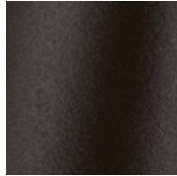
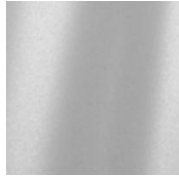
Type C, 1408 lms



Type D, 2179 lms

Calculations based on Silver Metallic finish.

FIXTURE FINISH



Black Metallic Textured Silver Metallic Textured Bronze Metallic Textured Wood grain - Light Cherry Wood grain - Dark Walnut Stainless steel

F27 & F28 Available upon request and longer than normal lead times may apply, consult factory.

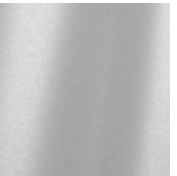
PANEL FINISH



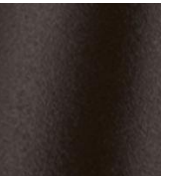
White



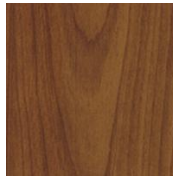
Black Metallic Textured



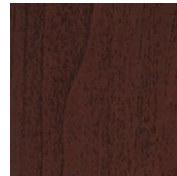
Silver Metallic Textured



Bronze Metallic Textured



Wood grain - Light Cherry



Wood grain - Dark Walnut



Stainless steel

Z1 & Z2 Available upon request and longer than normal lead times may apply, consult factory.

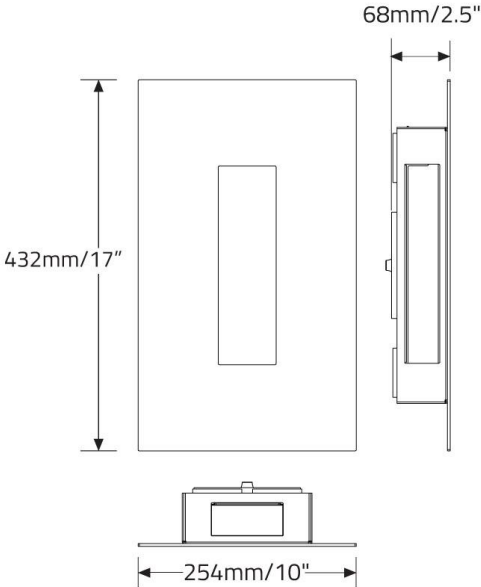
APPROVALS



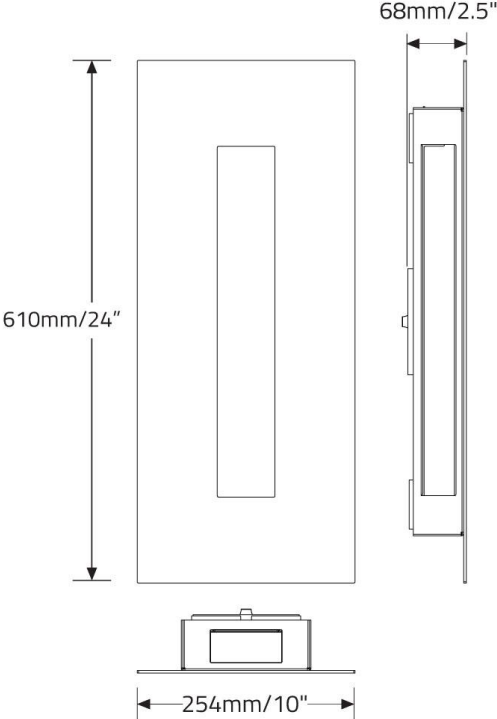
FRAMED™ - IP65 - WALL

DIMENSIONAL DIAGRAMS

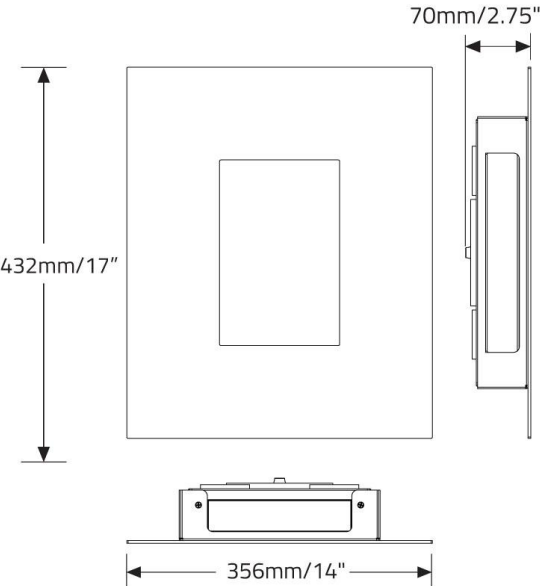
TYPE A



TYPE B



TYPE C



TYPE D

