

FRAMED™ - IP65 - WALL



Project Name:

Fixture Type:

Fixture Code:

Quantities:

A. LUMINAIRE

130000 Type A, 1105 lms

130010 Type B, 1874 lms

130020 Type C, 1408 lms

130030 Type D, 2179 lms

Calculations based on Silver Metallic finish.

B. CCT

30 3000K (min 80 CRI)

40 4000K (min 80 CRI)

C. DIMMING

DB 0-10V Dimming (10%)¹

¹ Dimming is equal to or less than 10%.

D. FIXTURE FINISH

F2 Black Metallic Textured

F20 Silver Metallic Textured

F47 Bronze Metallic Textured

F27 Wood grain - Light Cherry

F28 Wood grain - Dark Walnut

F29 Stainless steel

F27 & F28 Available upon request and longer than normal lead times may apply, consult factory.

E. CENTER PANEL FINISH

WH White

BL Black Metallic Textured

MS Silver Metallic Textured

BM Bronze Metallic Textured

Z1 Wood grain - Light Cherry

Z2 Wood grain - Dark Walnut

SS Stainless steel

Z1 & Z2 Available upon request and longer than normal lead times may apply, consult factory.

F. REMOTE EMERGENCY

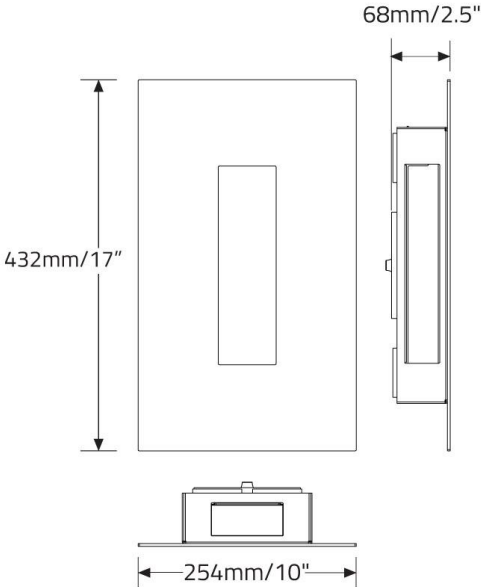
RE Remote Emergency



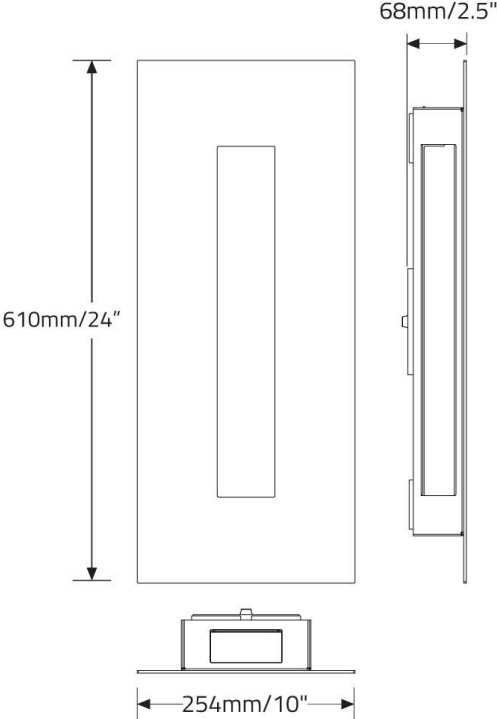
FRAMED™ - IP65 - WALL

DIMENSIONAL DIAGRAMS

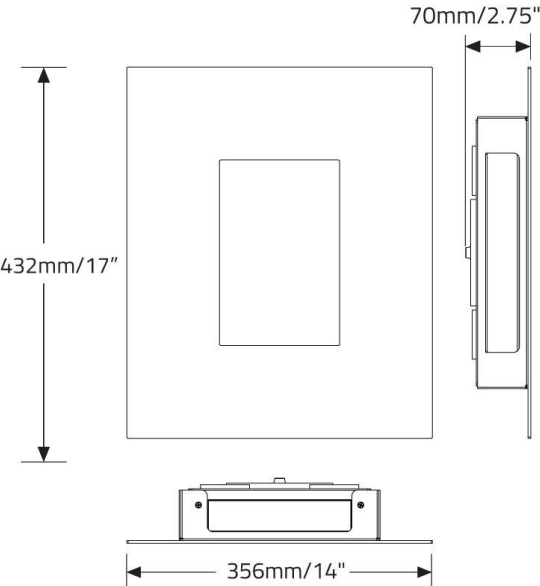
TYPE A



TYPE B



TYPE C



TYPE D

