



HEXAGON™

FULL SPECIFICATION SHEET



FIXTURE TYPE



FIXTURE CODE



QUANTITIES

1 DESCRIPTION

The fluid lines of the Endless system transform into a closed-loop six-sided shape. With rounded edges and a hollow form, **HEXAGON** adds a serene visual element and a unique alternative to the perfectionist ring. As a strong geometrical shape, Hexagon remains minimalist while conveying stability and lightness. Available with an acoustic panel in 13 unique colors and sizes ranging from 2' to 7'. This statement piece is a balance between a polygon and a circle, symbolizing harmony.

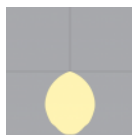
2 OPTICS & FEATURES



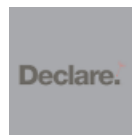
Ceiling Direct



Acoustic



Direct



Declare

3 APPROVALS



4 GENERAL SPECIFICATION

BODY

Extruded and die-cast aluminum.

FINISH

Powder coated.

LENS

Opal polycarbonate.

DRIVERS

HPF electronic drivers for 120-277V, 347V (EU-240V). The driver is integral to the fixture housing.

ACOUSTIC PANELS FIRE RATING

ASTM E84-2018 Class A.

ACOUSTIC PANELS THICKNESS

12mm (0.5")

SENSORS

Consult factory regarding sensor compatibility.

APPROVALS

Damp Rated.

ACOUSTIC PANEL MAINTENANCE

Durable and easy to maintain. Dust regularly and clean marks with mild detergent, rinse, and blot.

SUSTAINABILITY

Designed for on-site LED board, driver, and optic replacement. Contact the factory for maintenance documentation.

MECHANICAL

Luminaires mount directly over J box (by others).

ACOUSTIC PANELS NRC RATING

0.80

ACOUSTIC PANELS MATERIAL

100% recycled polyester fiber (PET).

DELIVERED LUMENS

Delivered lumens & LPW based on 4000K CRI 90+

REPORTED L70 @25°C (77°F)

>102,000 hrs @ 700 lumens/ft (2300 lumens/m)

DESIGNED BY

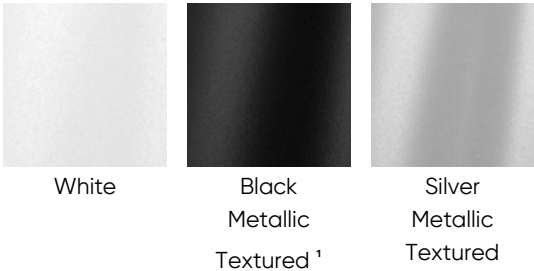
Serge Cornelissen

DESIGN

US Pat. No. D1,042,936

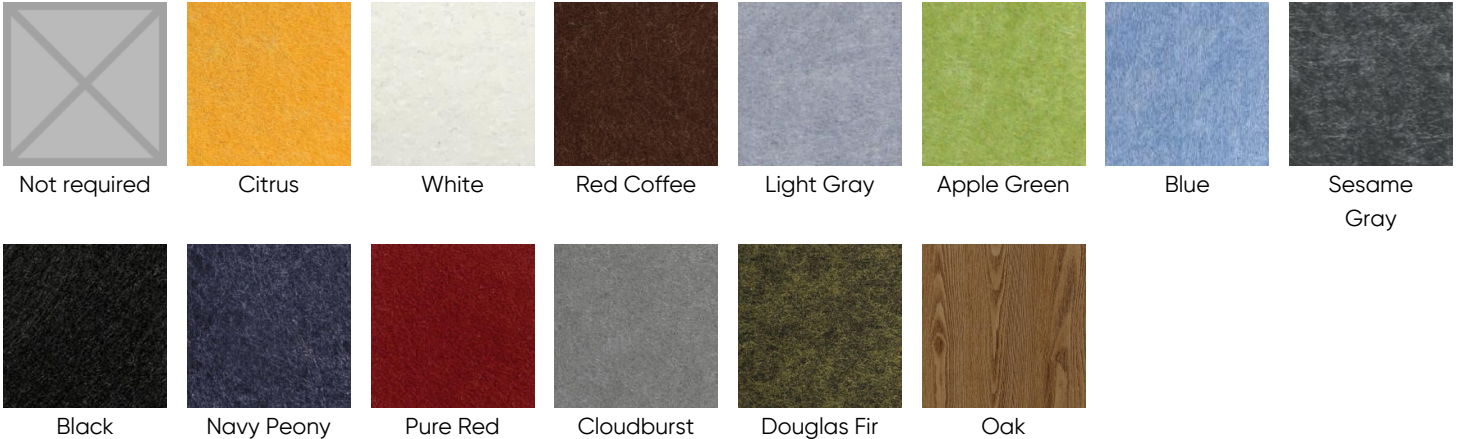
5 DESIGN OPTIONS

FIXTURE FINISH



¹ Black Metallic Textured is only available with 300 lm/ft and 500 lm/ft.

ACOUSTIC PANEL COLOR



Acoustic panels exceeding 48" will have one seam. All other dimensions will be seamless. For accompanying non-illuminating acoustic panels, see our Acoustic Circles, Quads, Triangles, and Ellipse spec pages. Contact factory for larger sizes and additional colors.

6 HOW TO ORDER

<p>LUMINAIRE</p> <p>HEXG1C02 2ft HEXG1C03 3ft HEXG1C04 4ft HEXG1C05 5ft HEXG1C06 6ft HEXG1C07 7ft</p>	<p>LM/FT</p> <p>LPF030 300 lm/ft ¹ LPF050 500 lm/ft ² LPF070 700 lm/ft ³</p> <p>Black Metallic Textured is only available with 300 lm/ft and 500 lm/ft. ¹ Based on 50% of total output. ² Based on 75% of total output. ³ 100% of total output.</p>	<p>CRI</p> <p>CR90 CRI 90+</p>	<p>CCT</p> <p>CTA30 3000K CTA35 3500K CTA40 4000K</p>
<p>VOLTAGE</p> <p>V1 120/277V</p>	<p>DIMMING</p> <p>DA01 0-10V Dimming 1.0%</p>	<p>FIXTURE FINISH</p> <p>FA01 White FA02 Black Metallic Textured ¹ FA20 Silver Metallic Textured</p> <p>¹ Black Metallic Textured is only available with 300 lm/ft and 500 lm/ft.</p>	<p>ACOUSTIC PANEL COLOR</p> <p>AP00 Not required AP02 Citrus AP04 White AP08 Red Coffee AP11 Light Gray AP13 Apple Green AP22 Blue AP26 Sesame Gray AP27 Black AP47 Navy Peony AP60 Pure Red AP73 Cloudburst AP89 Douglas Fir APW01 Oak</p> <p>Acoustic panels exceeding 48" will have one seam. All other dimensions will be seamless. For accompanying non-illuminating acoustic panels, see our Acoustic Circles, Quads, Triangles, and Ellipse spec pages. Contact factory for larger sizes and additional colors.</p>

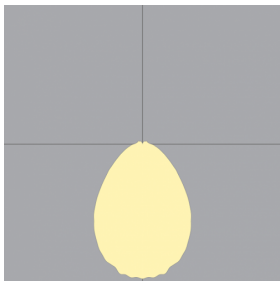
7 TECHNICAL DATA

LUMINAIRE

Code	HEXG1C02	HEXG1C03	HEXG1C04	HEXG1C05	HEXG1C06	HEXG1C07
Size	2ft	3ft	4ft	5ft	6ft	7ft
Light Direction	Direct	Direct	Direct	Direct	Direct	Direct
Wattage	69	106	138	175	207	244
Direct lms	4300	6500	8500	10800	12700	15000
LPW	61	61	61	61	61	61

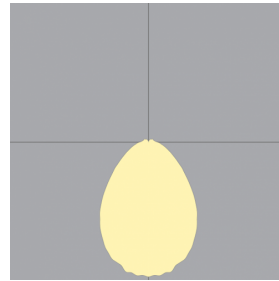
8 PERFORMANCE DATA

DIRECT (WHITE/SILVER METALLIC TEXTURED) DIFFUSED (DD3)



LUMEN/FT	WATT/FT	LPW
700	12	61
500	8	66
300	5	73

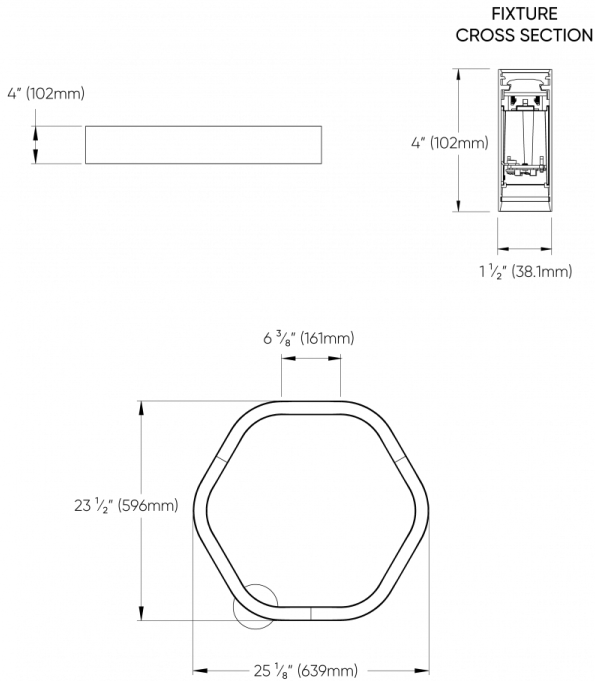
DIRECT (BLACK METALLIC TEXTURED) DIFFUSED (DD3)



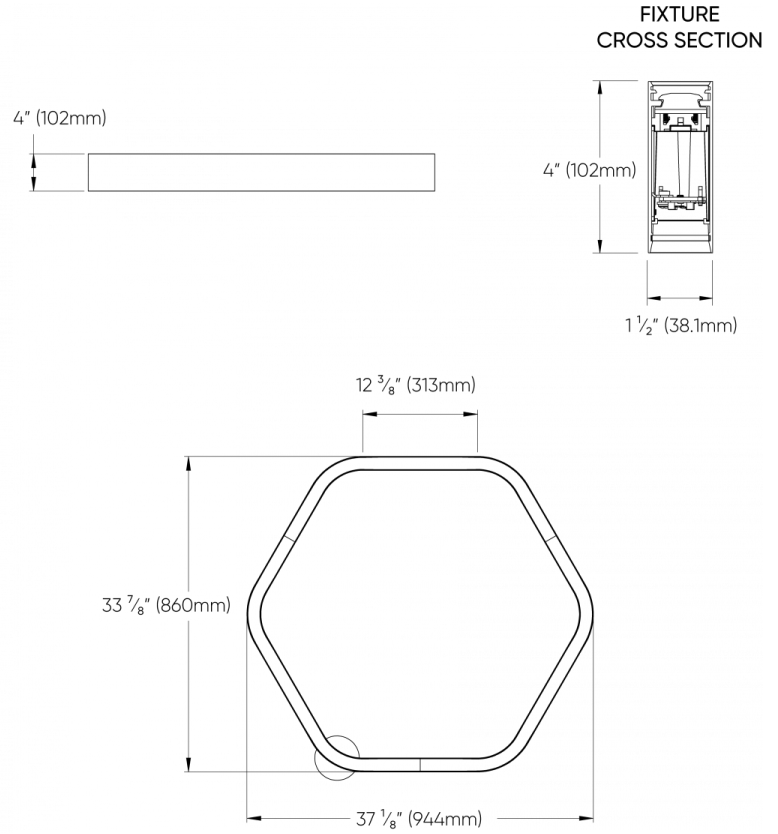
LUMEN/FT	WATT/FT	LPW
500	12	38
300	8	41

9 DIMENSIONAL DIAGRAMS

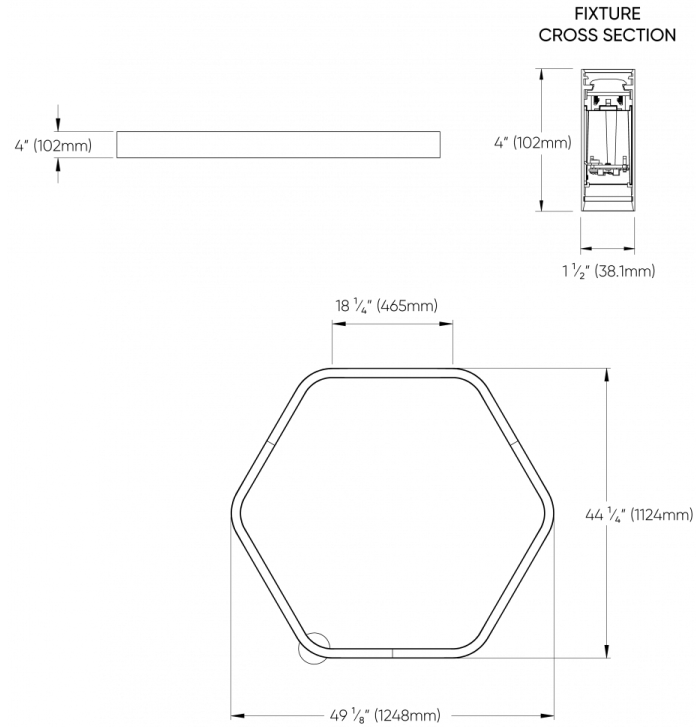
2 FT



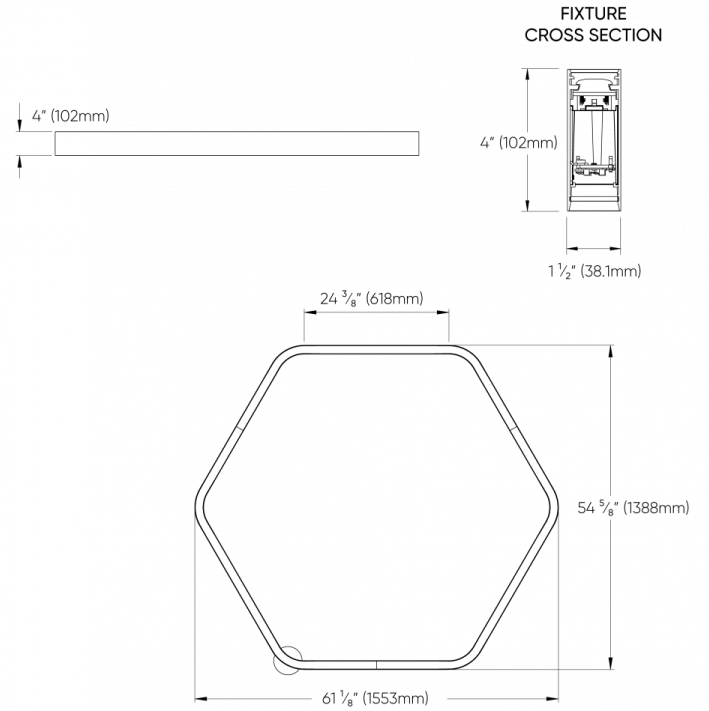
3 FT



4 FT



5 FT



6 FT

7 FT

