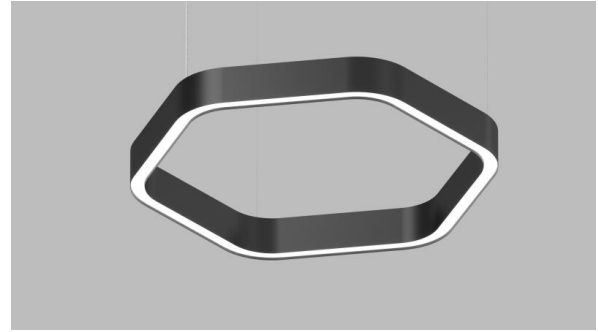




# HEXAGON™

## FULL SPECIFICATION SHEET



FIXTURE TYPE



FIXTURE CODE

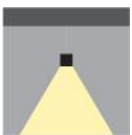


QUANTITIES

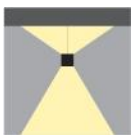
### 1 DESCRIPTION

The fluid lines of the Endless system transform into a closed-loop six-sided pendant. With rounded edges and a hollow form, **HEXAGON** adds a serene visual element and a unique alternative to the perfectionist ring. As a strong geometrical shape, Hexagon remains minimalist while conveying stability and lightness. Available with an acoustic panel in 13 unique colors and sizes ranging from 2' to 7'. This statement piece is a balance between a polygon and a circle, symbolizing harmony.

### 2 OPTICS & FEATURES



Suspended  
Direct



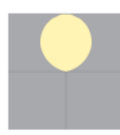
Suspended  
Direct/Indirect



Acoustic



Direct



Indirect



Declare.

Declare

### 3 APPROVALS



DAMP  
LOCATION



IP20

**4** GENERAL SPECIFICATION

**BODY**

Extruded and die-cast aluminum.

**SUSPENSION**

Steel cables.

**DRIVERS**

HPF electronic drivers for 120–277V, 347V (EU–240V). The driver is integral to the fixture housing.

**ACOUSTIC PANELS FIRE RATING**

ASTM E84–2018 Class A.

**ACOUSTIC PANELS THICKNESS**

12mm (0.5")

**LENS**

Opal polycarbonate.

**REPORTED L70 @25°C (77°F)**

>102,000 hrs @ 1600 lumens/ft (5200 lumens/m)

**APPROVALS**

Damp Rated.

**SEISMIC BRACING**

Seismic bracing kits are available to meet compliance requirements. Consult the factory for details.

**DESIGN**

US Pat. No. D1,042,936

**FINISH**

Powder coated.

**POWER CABLE**

Silver braided.

**ACOUSTIC PANELS NRC RATING**

0.80

**ACOUSTIC PANELS MATERIAL**

100% recycled polyester fiber (PET).

**MECHANICAL**

Luminaires mount directly over J box (by others).

**SENSORS**

Consult factory regarding sensor compatibility.

**DELIVERED LUMENS**

Delivered lumens & LPW based on 4000K CRI 90+

**DESIGNED BY**

Serge Cornelissen

**ACOUSTIC PANEL MAINTENANCE**

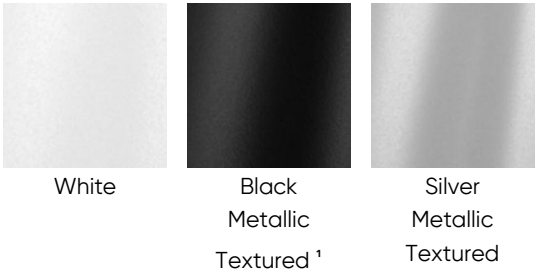
Durable and easy to maintain. Dust regularly and clean marks with mild detergent, rinse, and blot.

**SUSTAINABILITY**

Designed for on-site LED board, driver, and optic replacement. Contact the factory for maintenance documentation.

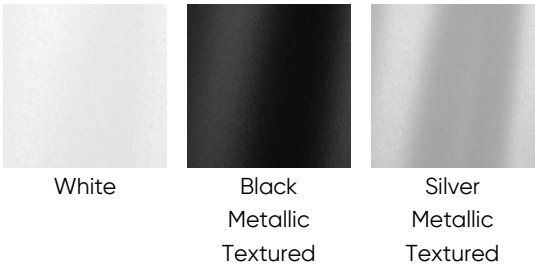
**5 DESIGN OPTIONS**

**FIXTURE FINISH**

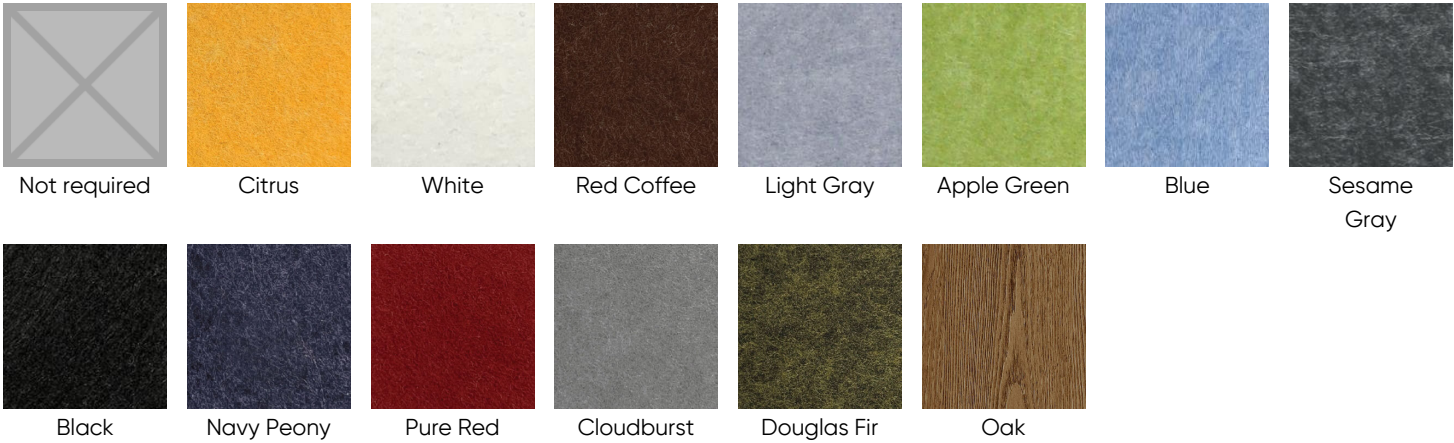


<sup>1</sup> Black Metallic Textured is only available with direct lumens of 300 lm/ft and 500 lm/ft.

**CANOPY FINISH**



**ACOUSTIC PANEL COLOR**



Acoustic panels exceeding 48" will have one seam. All other dimensions will be seamless. For accompanying non-illuminating acoustic panels, see our Acoustic Circles, Quads, Triangles, and Ellipse spec pages. Contact factory for larger sizes and additional colors.

**6 HOW TO ORDER**

**1. LUMINAIRE**

<b>HEXG1P02</b> 2ft, Direct	<b>HEXG1P03</b> 3ft, Direct	<b>HEXG1P04</b> 4ft, Direct	<b>HEXG1P05</b> 5ft, Direct
<b>HEXG1P06</b> 6ft, Direct	<b>HEXG1P07</b> 7ft, Direct	<b>HEXG2P02</b> 2ft, Direct/Indirect	<b>HEXG2P03</b> 3ft, Direct/Indirect
<b>HEXG2P04</b> 4ft, Direct/Indirect	<b>HEXG2P05</b> 5ft, Direct/Indirect	<b>HEXG2P06</b> 6ft, Direct/Indirect	<b>HEXG2P07</b> 7ft, Direct/Indirect

**2. LM/FT (DIRECT)**

<b>LPF030</b> 300 lm/ft <sup>1</sup>	<b>LPF050</b> 500 lm/ft <sup>2</sup>	<b>LPF070</b> 700 lm/ft <sup>3</sup>
--------------------------------------	--------------------------------------	--------------------------------------

Black Metallic Textured is only available with direct lumens of 300 lm/ft and 500 lm/ft. Consult the Data Performance download page for details.

<sup>1</sup> Based on 50% of total output. <sup>2</sup> Based on 75% of total output. <sup>3</sup> 100% of total output.

**3. LM/FT (INDIRECT)**

<b>LPG000</b> Not required	<b>LPG030</b> 300 lm/ft <sup>1</sup>	<b>LPG050</b> 500 lm/ft <sup>2</sup>	<b>LPG070</b> 700 lm/ft <sup>3</sup>
<b>LPG090</b> 900 lm/ft <sup>4</sup>			

<sup>1</sup> Not available with HEXG2P02 (2' Direct/Indirect). Based on 35% of total output. <sup>2</sup> Based on 55% of total output. <sup>3</sup> Based on 75% of total output. <sup>4</sup> 100% of total output.

**4. CRI**

**CR90** CRI 90+

**5. CCT**

<b>CTA30</b> 3000K	<b>CTA35</b> 3500K	<b>CTA40</b> 4000K
--------------------	--------------------	--------------------

**6. UPLIGHT DIFFUSER**

<b>UD0</b> Not required	<b>UD2</b> Opal
-------------------------	-----------------

**7. VOLTAGE**

**V1** 120/277V

**8. DIMMING**

**DA01** 0-10V Dimming 1.0%

## 9. FIXTURE FINISH

**FA01** White                      **FA02** Black Metallic Textured <sup>1</sup>      **FA20** Silver Metallic Textured

<sup>1</sup> Black Metallic Textured is only available with direct lumens of 300 lm/ft and 500 lm/ft.

## 10. CANOPY FINISH

**CF01** White                      **CF02** Black Metallic Textured      **CF20** Silver Metallic Textured

## 11. ACOUSTIC PANEL COLOR

<b>AP00</b> Not required	<b>AP02</b> Citrus	<b>AP04</b> White	<b>AP08</b> Red Coffee
<b>AP11</b> Light Gray	<b>AP13</b> Apple Green	<b>AP22</b> Blue	<b>AP26</b> Sesame Gray
<b>AP27</b> Black	<b>AP47</b> Navy Peony	<b>AP60</b> Pure Red	<b>AP73</b> Cloudburst
<b>AP89</b> Douglas Fir	<b>APW01</b> Oak		

Acoustic panels exceeding 48" will have one seam. All other dimensions will be seamless. For accompanying non-illuminating acoustic panels, see our Acoustic Circles, Quads, Triangles, and Ellipse spec pages. Contact factory for larger sizes and additional colors.

## 12. CIRCUITS

**CS1** Single circuit                      **CS2** Dual circuit

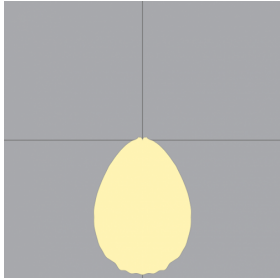
# 7 TECHNICAL DATA

### LUMINAIRE

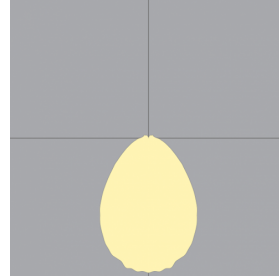
<b>Code</b>	<b>HEXG1P02</b>	<b>HEXG1P03</b>	<b>HEXG1P04</b>	<b>HEXG1P05</b>	<b>HEXG1P06</b>	<b>HEXG1P07</b>
<b>Size</b>	2ft	3ft	4ft	5ft	6ft	7ft
<b>Light Direction</b>	Direct	Direct	Direct	Direct	Direct	Direct
<b>Wattage</b>	69	106	138	175	207	244
<b>Direct lms</b>	4300	6500	8500	10800	12700	15000
<b>Indirect lms</b>						
<b>LPW</b>	61	61	61	61	61	61
<b>Code</b>	<b>HEXG2P02</b>	<b>HEXG2P03</b>	<b>HEXG2P04</b>	<b>HEXG2P05</b>	<b>HEXG2P06</b>	<b>HEXG2P07</b>
<b>Size</b>	2ft	3ft	4ft	5ft	6ft	7ft
<b>Light Direction</b>	Direct/Indirect	Direct/Indirect	Direct/Indirect	Direct/Indirect	Direct/Indirect	Direct/Indirect
<b>Wattage</b>	103	169	235	299	364	431
<b>Direct lms</b>	4300	6500	8500	10800	12700	15000
<b>Indirect lms</b>	2700	5100	7800	10200	12900	15300
<b>LPW</b>	68	69	69	70	70	70

**8 PERFORMANCE DATA**

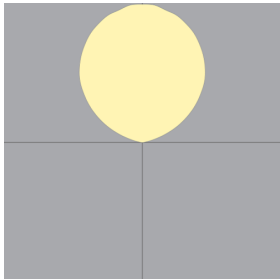
**DIRECT (WHITE/SILVER METALLIC TEXTURED) DIFFUSED (DD3)**

	LUMEN/FT	WATT/FT	LPW
	700	12	61
	500	8	66
	300	5	73

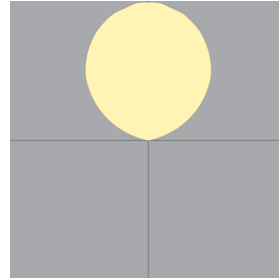
**DIRECT (BLACK METALLIC TEXTURED) DIFFUSED (DD3)**

	LUMEN/FT	WATT/FT	LPW
	500	12	38
	300	8	41

**INDIRECT (WHITE/SILVER METALLIC TEXTURED) OPAL (UD2)**

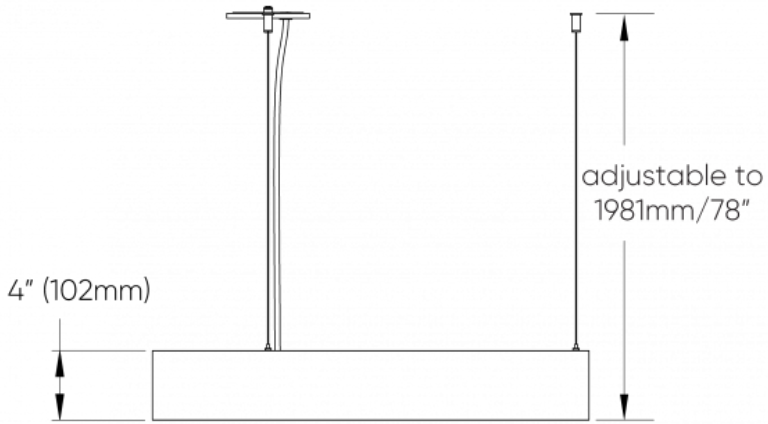
	LUMEN/FT	WATT/FT	LPW
	900	9	84
	700	7	89
	500	4	98
	300	3	100

**INDIRECT (BLACK METALLIC TEXTURED) OPAL (UD2)**

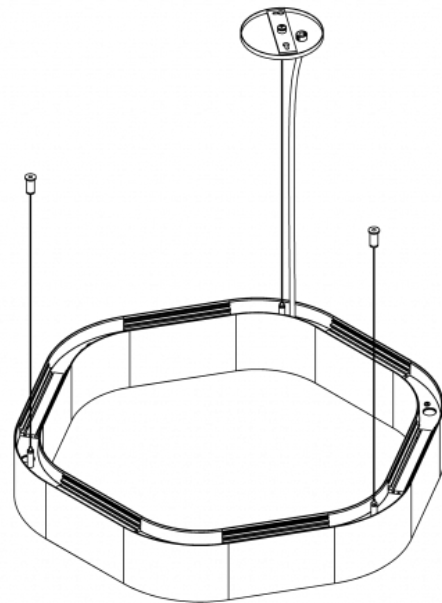
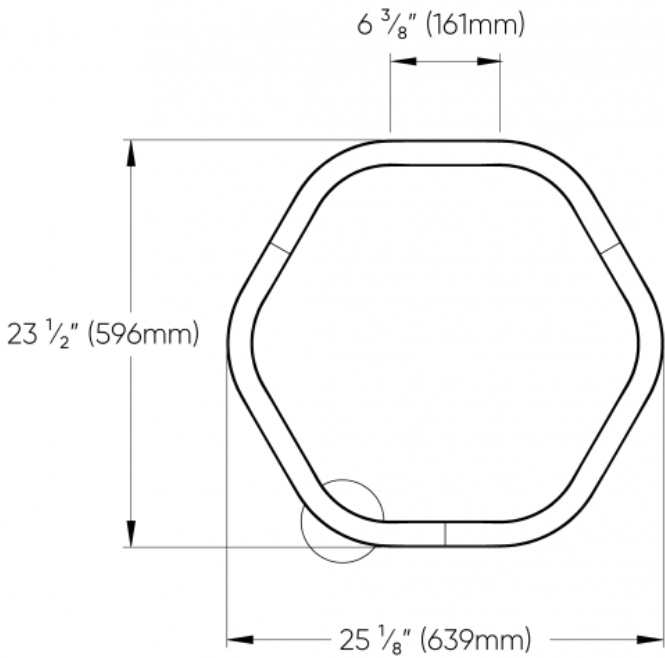
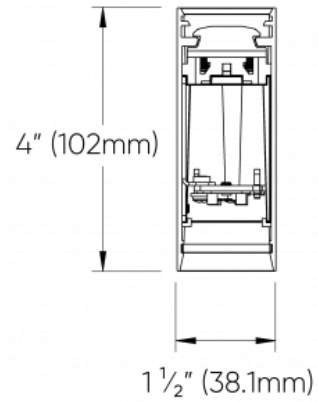
	LUMEN/FT	WATT/FT	LPW
	900	11	60
	700	9	63
	500	6	68
	300	3	74

9 DIMENSIONAL DIAGRAMS

2 FT

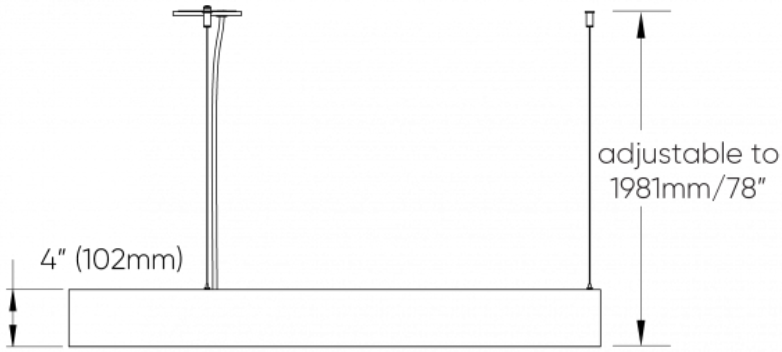


**FIXTURE  
CROSS SECTION**

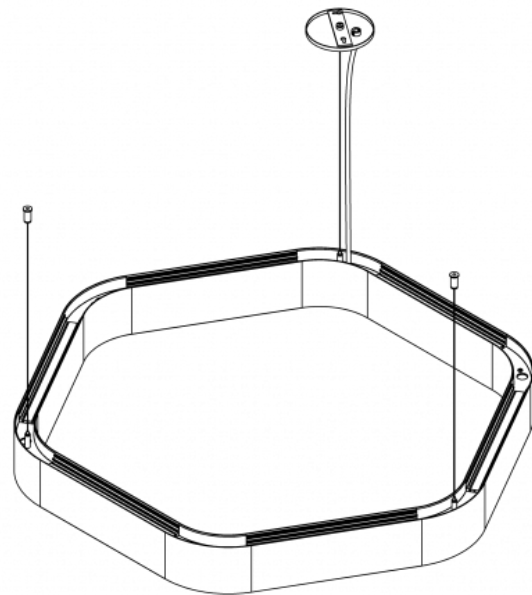
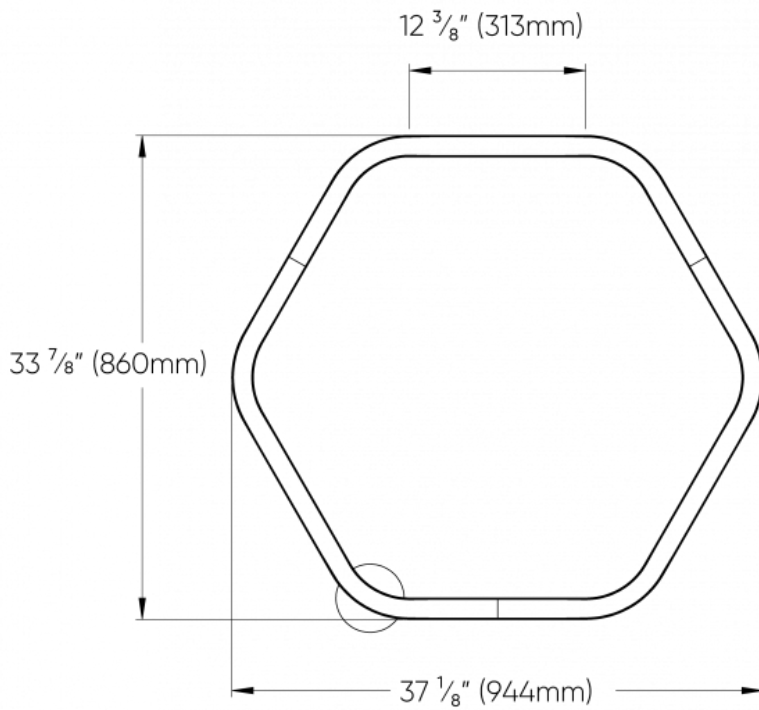
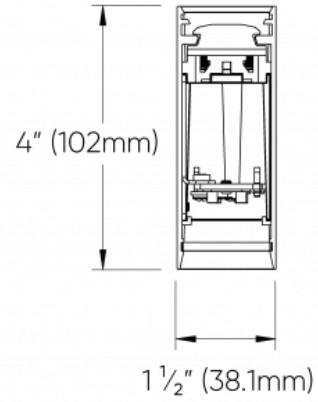


**3 SUSPENSION POINTS**

3 FT

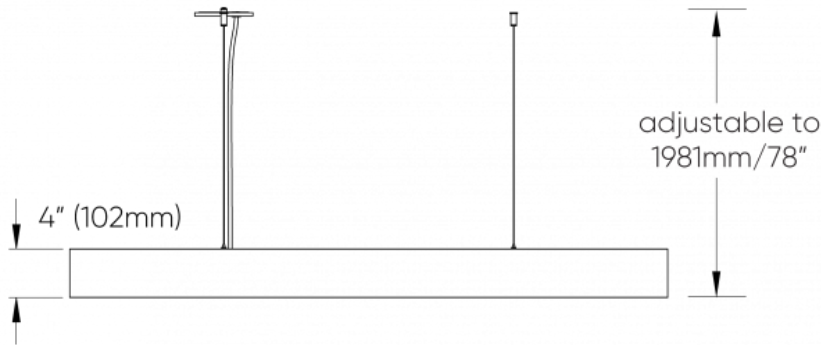


**FIXTURE  
CROSS SECTION**

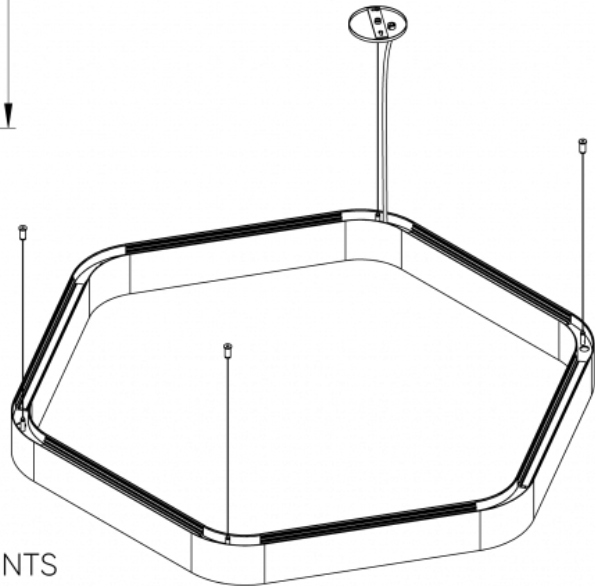
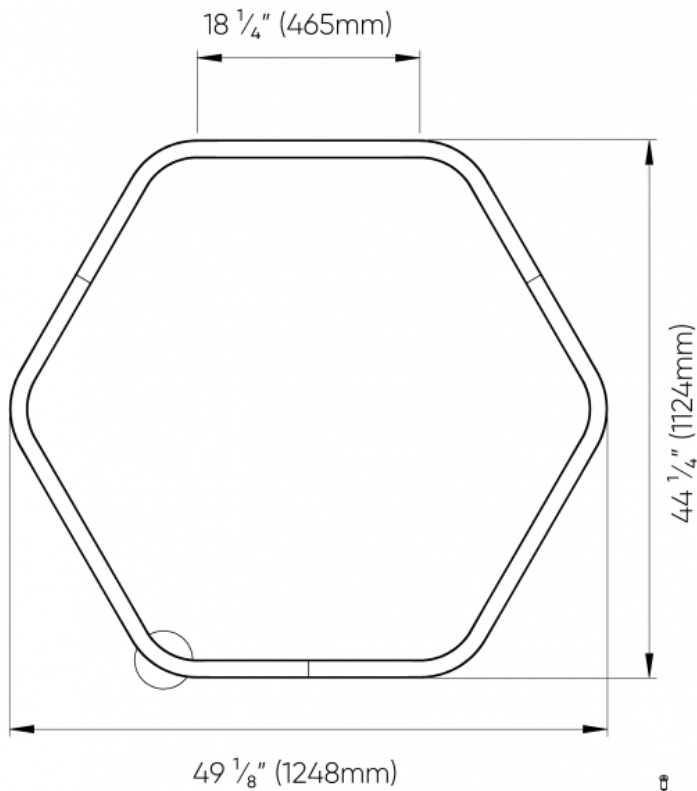
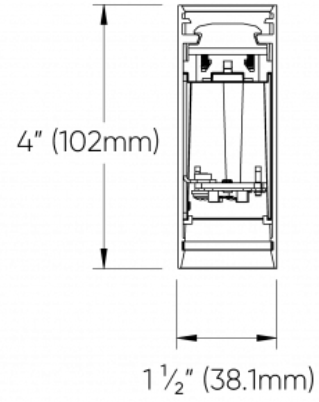


3 SUSPENSION POINTS

4 FT



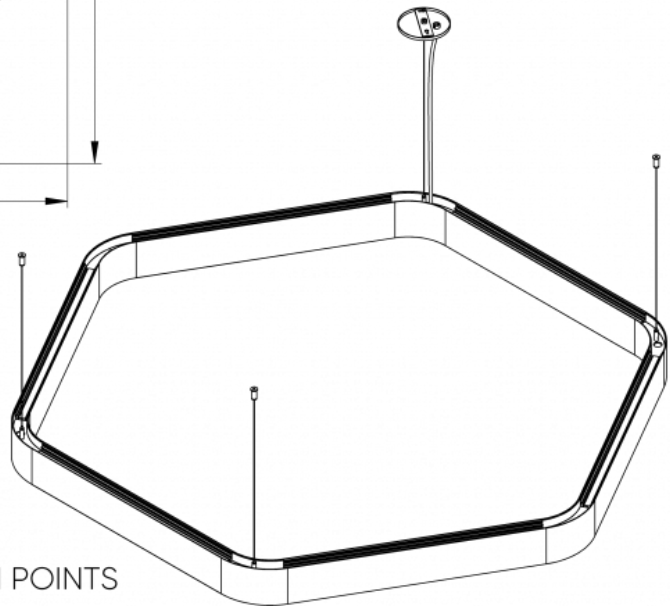
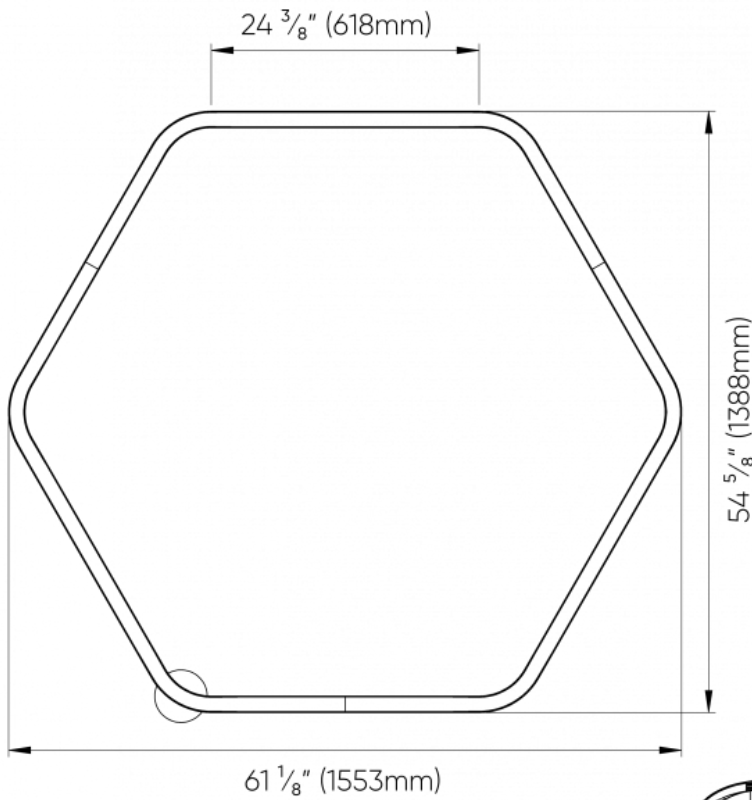
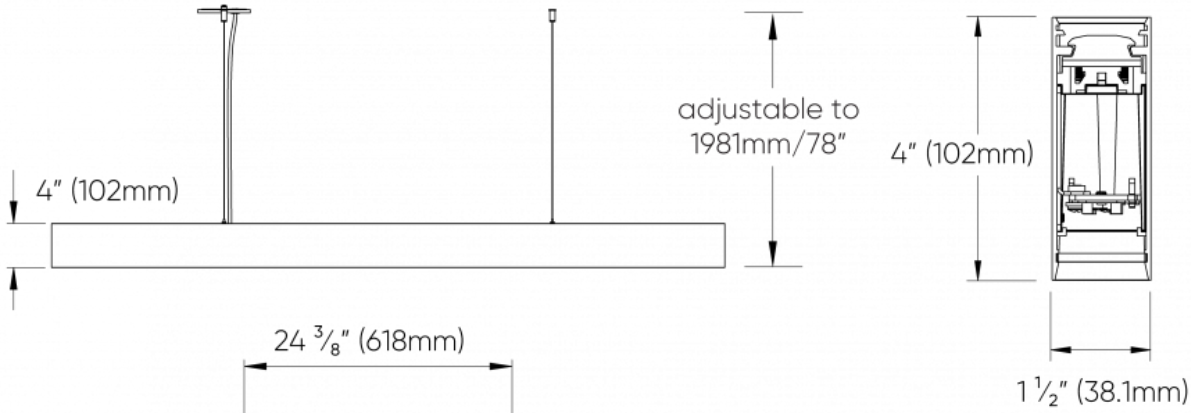
**FIXTURE  
CROSS SECTION**



4 SUSPENSION POINTS

5 FT

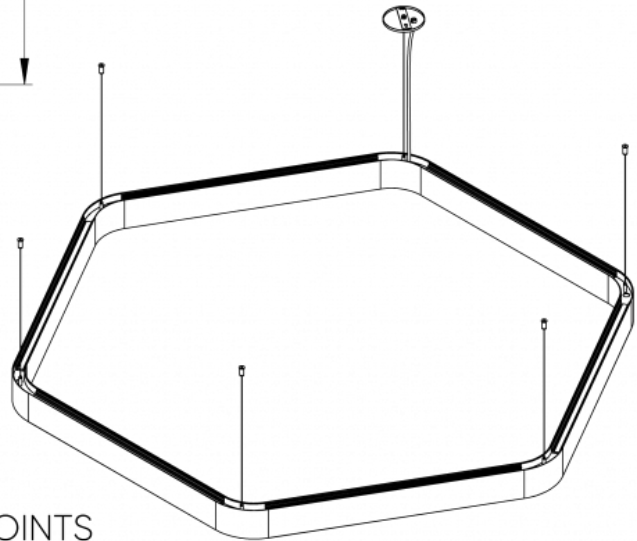
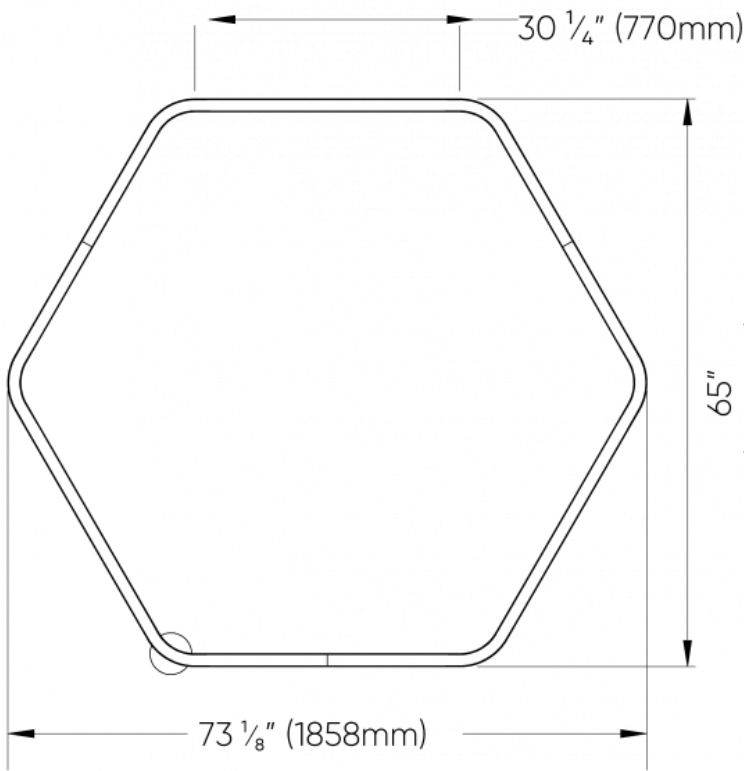
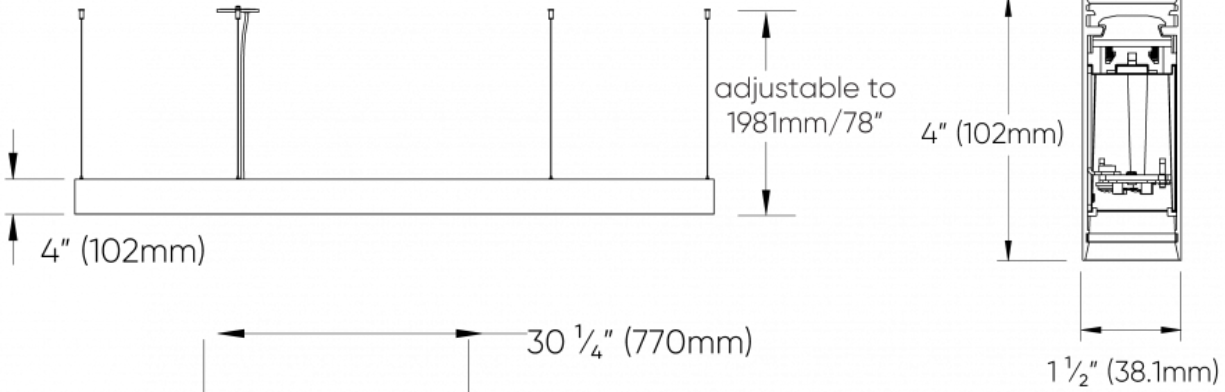
FIXTURE  
CROSS SECTION



4 SUSPENSION POINTS

6 FT

**FIXTURE  
 CROSS SECTION**



**6 SUSPENSION POINTS**

7FT

