

HEXAGON™ - SUSPENDED

Project Name:

Fixture Type:

Fixture Code:

Quantities:

A. LUMINAIRE

HEXG1P02 2ft, Direct

HEXG1P03 3ft, Direct

HEXG1P04 4ft, Direct

HEXG1P05 5ft, Direct

HEXG1P06 6ft, Direct

HEXG1P07 7ft, Direct

HEXG2P02 2ft, Direct/Indirect

HEXG2P03 3ft, Direct/Indirect

HEXG2P04 4ft, Direct/Indirect

HEXG2P05 5ft, Direct/Indirect

HEXG2P06 6ft, Direct/Indirect

HEXG2P07 7ft, Direct/Indirect

B. LM/FT (DIRECT)

LPF030 300 lm/ft

LPF050 500 lm/ft

LPF070 700 lm/ft

Black Metallic Textured is only available with direct lumens of 300 lm/ft and 500 lm/ft. Consult the Data Performance download page for details.

C. LM/FT (INDIRECT)

LPG000 Not required

LPG030 300 lm/ft ¹

LPG050 500 lm/ft

LPG070 700 lm/ft

LPG090 900 lm/ft

¹ Not available with HEXG2P02 (2ft Direct/Indirect).

D. CRI

CR90 CRI 90+

E. CCT

CTA30 3000K

CTA35 3500K

CTA40 4000K

F. UPLIGHT DIFFUSER

UDO Not required

UD2 Opal diffuser

G. VOLTAGE

V1 120/277V

H. DIMMING

DA01 0-10V Dimming 1.0%

I. FIXTURE FINISH

FA01 White

FA02 Black Metallic Textured ¹

FA20 Silver Metallic Textured

¹ Black Metallic Textured is only available with direct lumens of 300 lm/ft and 500 lm/ft.

J. CANOPY FINISH

CF01 White

CF02 Black Metallic Textured

CF20 Silver Metallic Textured

K. ACOUSTIC PANEL COLOR

AP00 Not required

AP04 White

AP13 Apple Green

AP22 Blue

AP11 Light Gray

AP26 Sesame Gray

AP27 Black

Available up to 4'. Larger sizes available with visible seams, consult factory.



HEXAGON™ - SUSPENDED

L. CIRCUITS

CS1 Single circuit

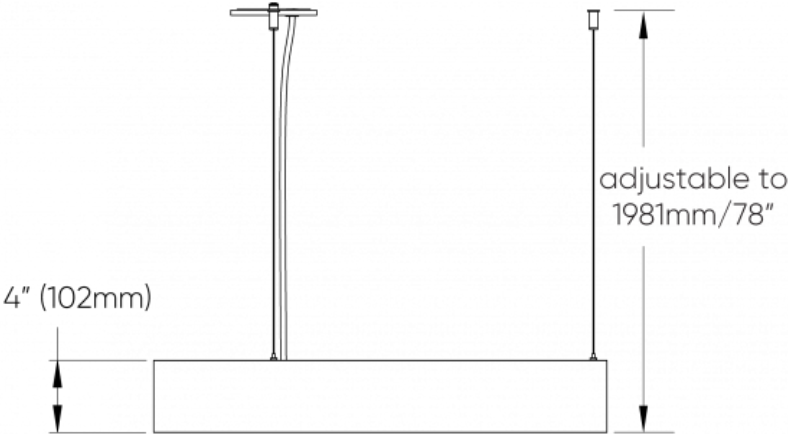
CS2 Dual circuit

HEXAGON™ - SUSPENDED

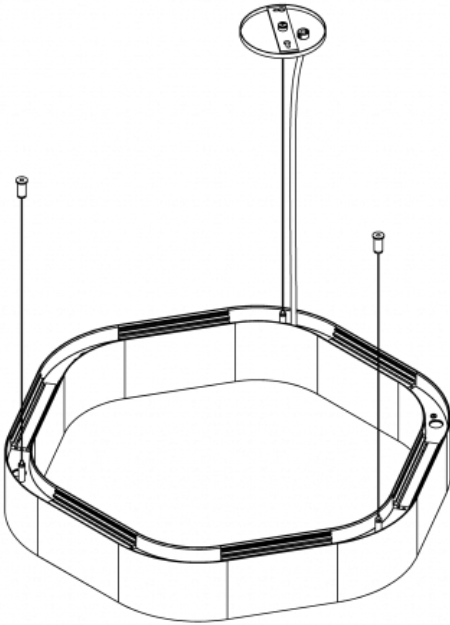
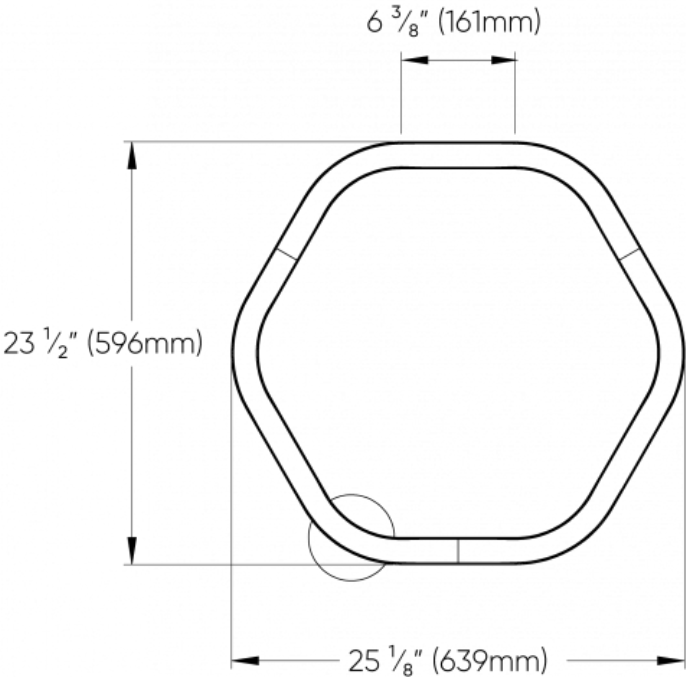
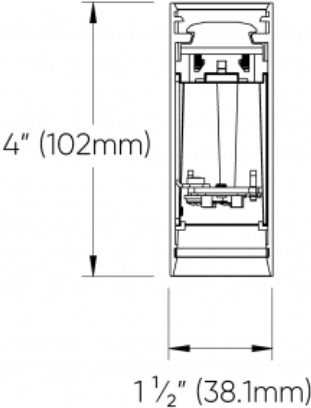
DIMENSIONAL DIAGRAMS

HEXAGON™ - SUSPENDED

2 FT



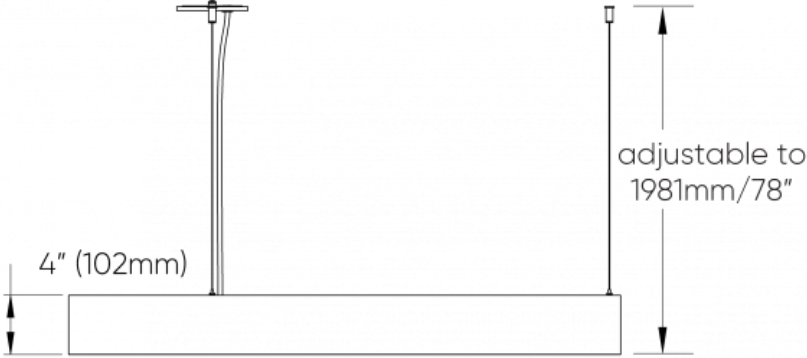
FIXTURE CROSS SECTION



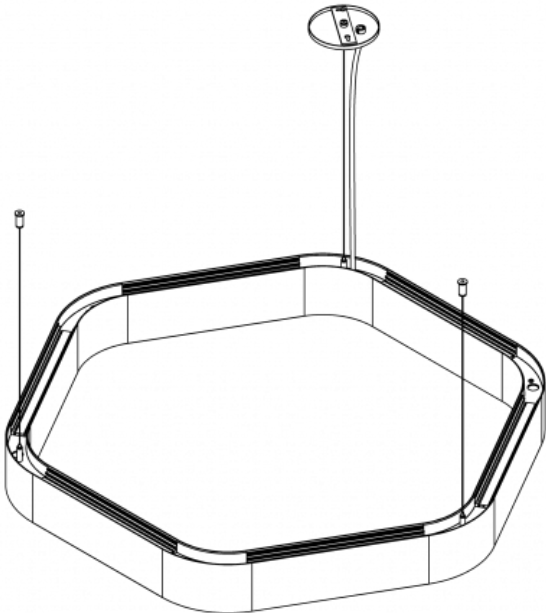
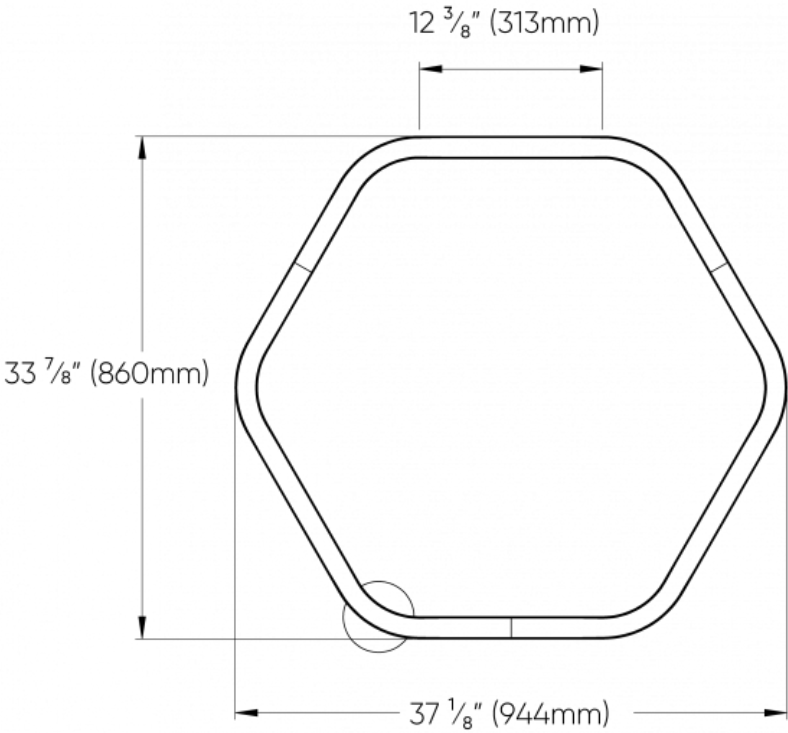
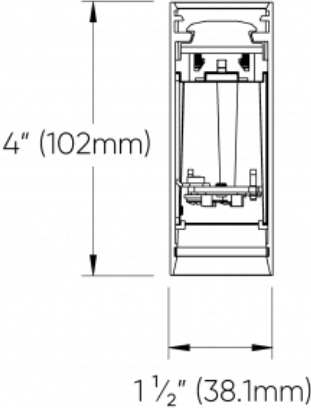
3 SUSPENSION POINTS

HEXAGON™ - SUSPENDED

3 FT

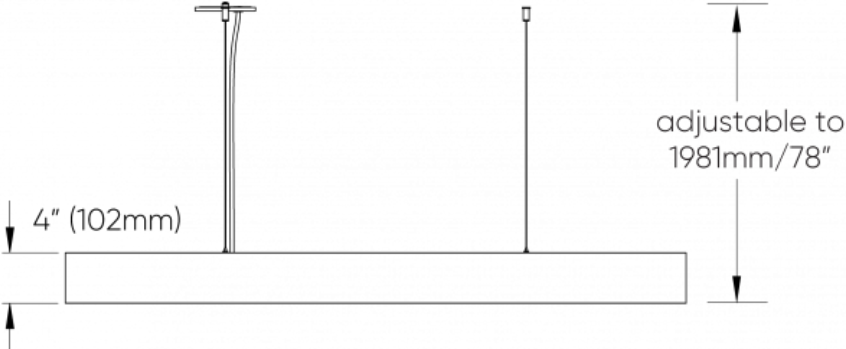


FIXTURE CROSS SECTION

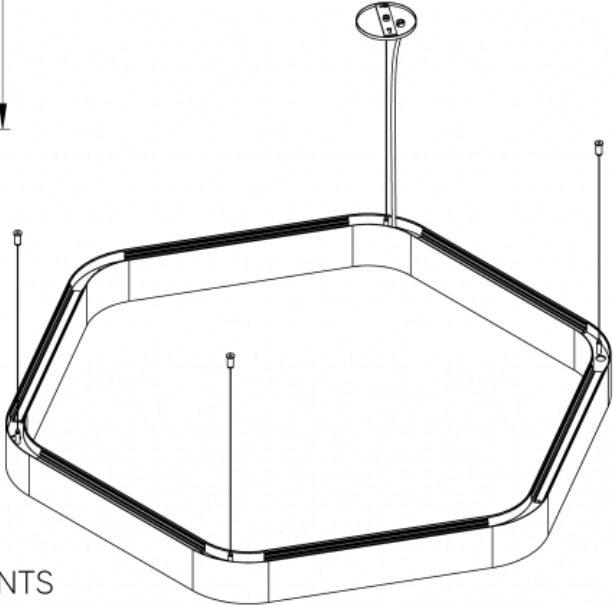
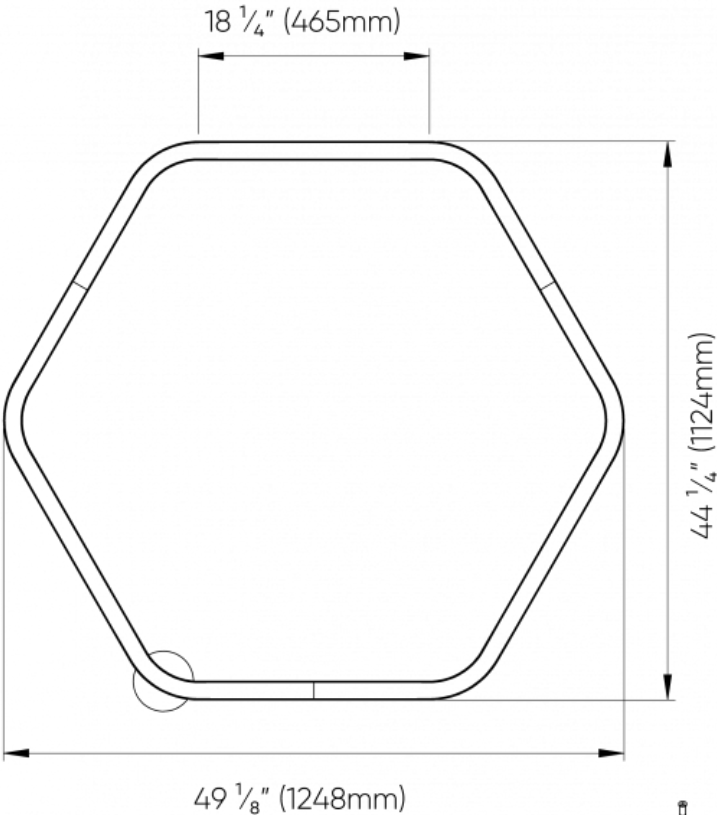
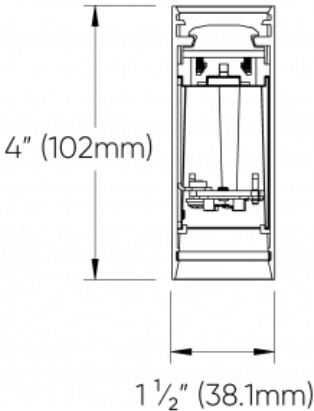


HEXAGON™ - SUSPENDED

4 FT



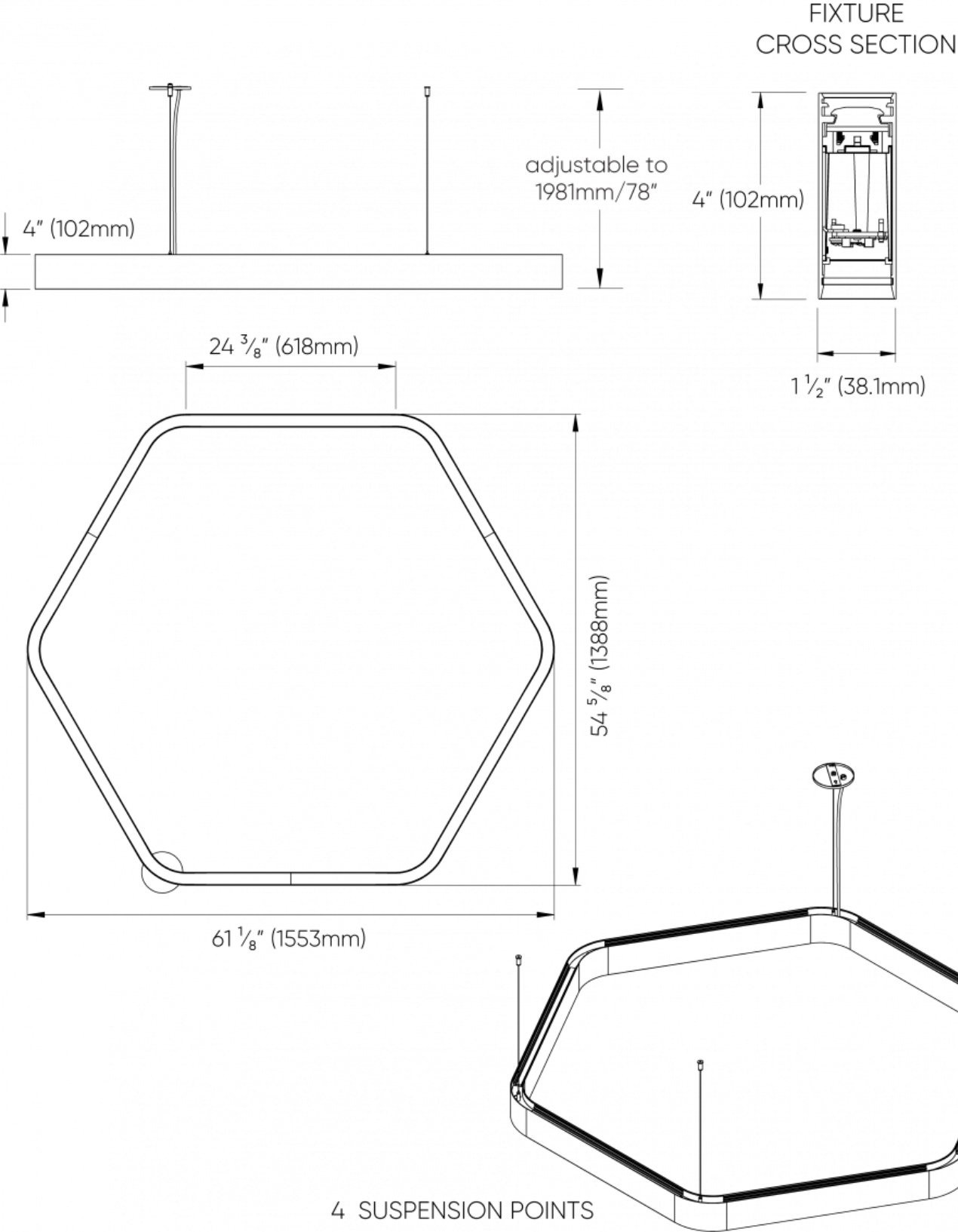
FIXTURE CROSS SECTION



4 SUSPENSION POINTS

HEXAGON™ - SUSPENDED

5 FT

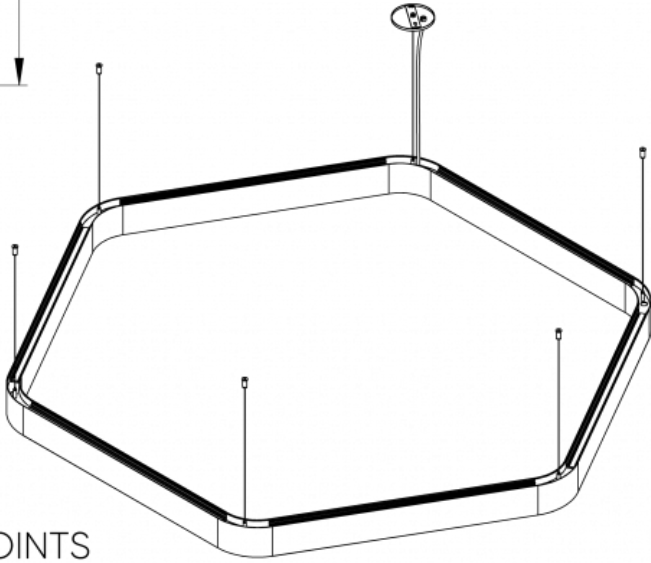
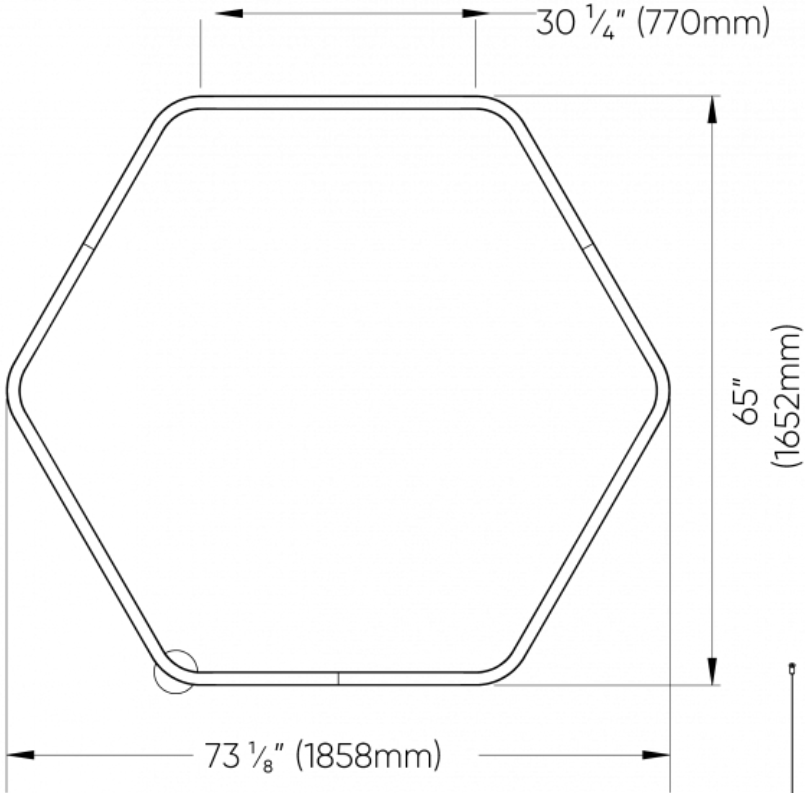
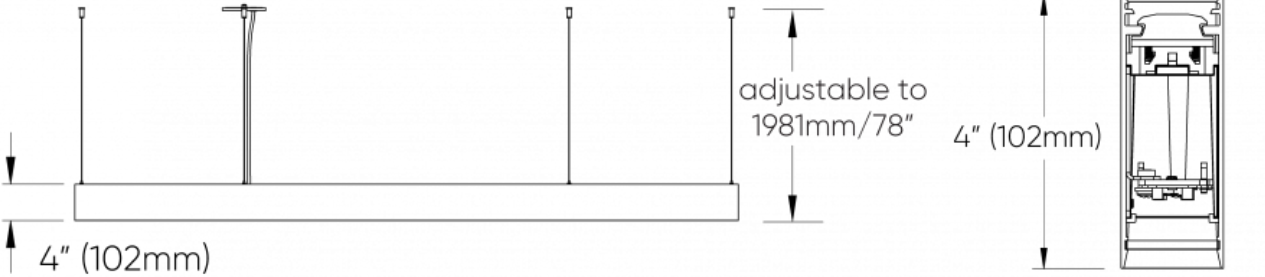


4 SUSPENSION POINTS

HEXAGON™ - SUSPENDED

6 FT

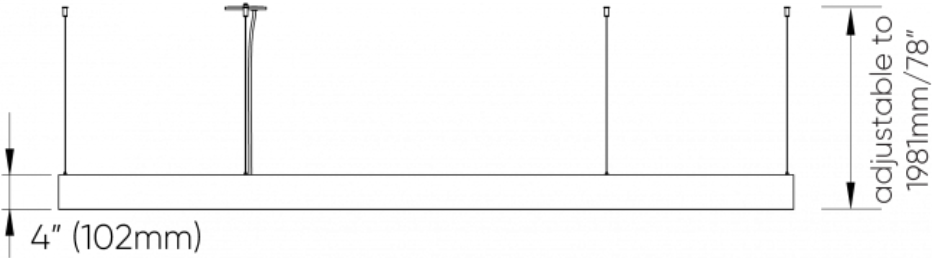
FIXTURE CROSS SECTION



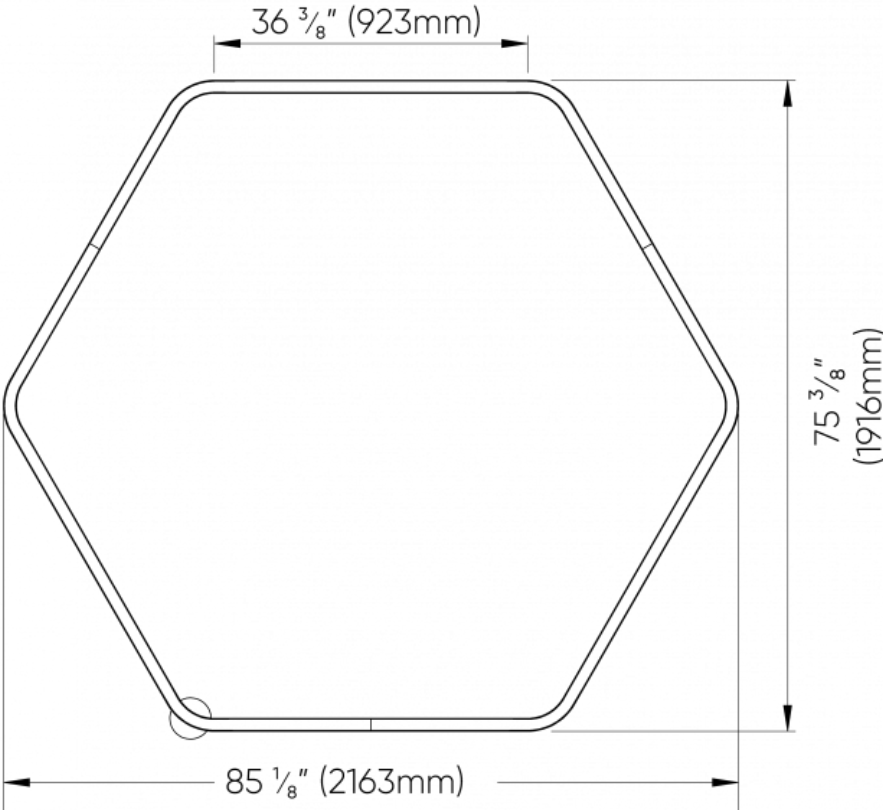
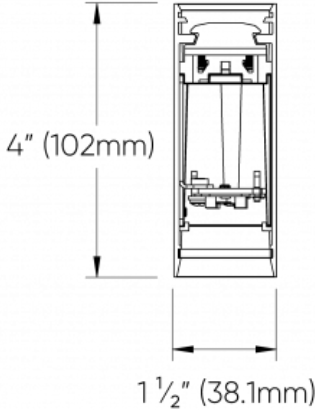
6 SUSPENSION POINTS

HEXAGON™ - SUSPENDED

7FT



FIXTURE CROSS SECTION



6 SUSPENSION POINTS

