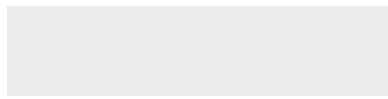
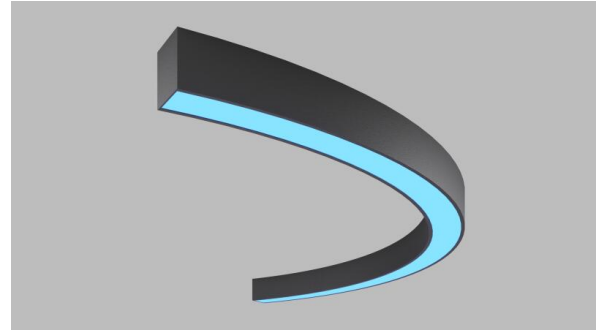


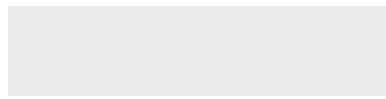


KURL™

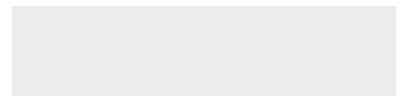
FULL SPECIFICATION SHEET



FIXTURE TYPE



FIXTURE CODE

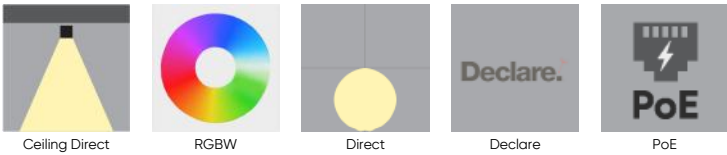


QUANTITIES

1 DESCRIPTION

KURL deviates from the classic geometries of straight lines and circles. Available in 4 radii ranging from 42" to 72", the interrupted ring brings subtle whimsy to linear lighting, especially when oriented at different angles. This fixture is available in 13 unique finishes, including our wood grain series. The option of adding RGBW to the light truly makes this an ideal centerpiece to set the mood for each space.

2 OPTICS & FEATURES



3 APPROVALS



4 GENERAL SPECIFICATION

BODY AND TRIM

Steel and aluminum.

FINISH

Powder coated.

DRIVERS

Integral, HPF electronic drivers for 120-277V, 347V (EU-240V).

LENS

Opal polycarbonate direct/Clear or opal polycarbonate indirect.

INTEGRAL EMERGENCY SYSTEM

Emergency option provides a 1.5 hour (3 hours for EU) emergency lighting facility. The self contained system includes the inverter module, NiCad batteries, LED charge indicator and test switch (NA only). Not available with a 347V supply.

MECHANICAL

Luminaires mount directly over J box (by others - North America only).

SENSORS

Consult factory regarding sensor compatibility.

APPROVALS

Damp Rated.

POE

Kurl can integrate into your data network via Power over Ethernet (PoE) connectivity.

DELIVERED LUMENS

Delivered lumens & LPW based on 4000K (min 80 CRI) for White LEDs only. The driver is integral to the fixture housing.

REPORTED L70 @25°C(77°F)

> 50,000 hrs.

SUSTAINABILITY

Designed for on-site LED board, driver, and optic replacement. Contact the factory for maintenance documentation.

5 DESIGN OPTIONS

FINISH



¹ Wood grain finishes may incur longer lead times and setup charges. Consult factory for details.

6 HOW TO ORDER

1. LUMINAIRE

KURC1C42 42" radius, 8200 lms **KURC1C48** 48" radius, 8900 lms **KURC1C54** 54" radius, 10100 lms **KURC1C72** 72" radius, 10300 lms

Data shown at max delivered lumens. Recommended for installation on a hard ceiling.

2. LUMENS/FT

LPF055 550 lm/ft ¹ **LPF082** 825 lm/ft ² **LPF110** 1100 lm/ft ³

¹ Based on 50% of total output. ² Based on 75% of total output. ³ 100% of total output.

3. CRI

CR80 CRI 80+ **CR90** CRI 90+

4. CCT

CTA27 2700K **CTA30** 3000K **CTA35** 3500K **CTA40** 4000K
CTA50 RGBW

5. VOLTAGE

V1 120/277V **V2** 240V ¹ **V3** 347V ² **V4** Low Voltage ³

¹ Not available in North America. ² Available with DA01 dimming only. ³ Available with DA45 dimming only.

6. DIMMING

DA01 0-10V Dimming 1.0% **DA02** 0-10V Dimming 0.1% ¹ **DA20** DALI Dimming 0.1% ¹ **DA21** DALI Dimming 1.0% ¹
DA30 DSI/switchDim ^{1 2} **DA40** DMX Dimming ^{1 4} **DA45** PoE

¹ Not available with V3. ² Not available in North America. ³ Available with V4 only. ⁴ Available with CTA50 only.

7. FIXTURE FINISH

FA01 White	FA02 Black Metallic - Textured	FA20 Silver Metallic - Textured	FA25 Gold Metallic - Textured
FA27 Wood grain - Light Cherry ¹	FA28 Wood grain - Dark Walnut ¹	FA30 Wood grain - White Oak ¹	FA44 Midnight Blue Metallic - Textured
FA45 Copper Metallic	FA46 Charcoal Metallic - Textured	FA47 Bronze Metallic - Textured	FA52 Champagne Metallic
FA53 Red Metallic - Textured			

¹ Wood grain finishes may incur longer lead times and setup charges. Consult factory for details.

8. EMERGENCY

E0 Not required	E1 Emergency system - Integral ¹
------------------------	--

¹ Not available with V3.

7 TECHNICAL DATA

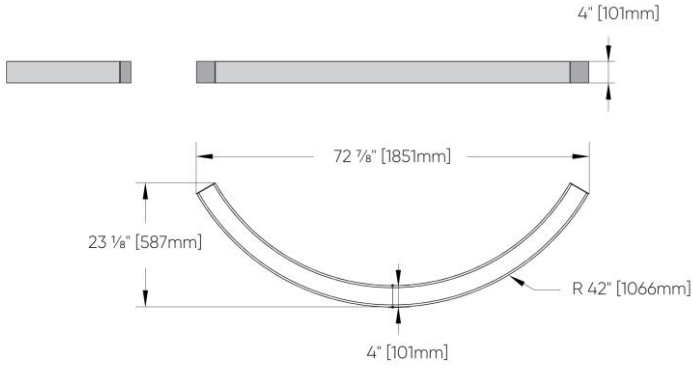
LUMINAIRE

Data shown at max delivered lumens. Recommended for installation on a hard ceiling.

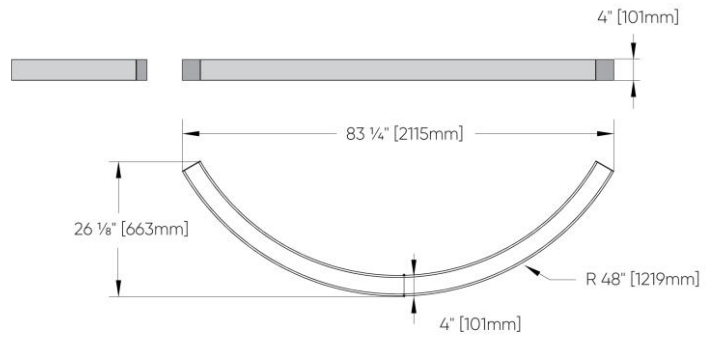
Code	KURC1C42	KURC1C48	KURC1C54	KURC1C72
Radius (A)	42"	48"	54"	72"
Arc°	120°	120°	120°	90°
Wattage	83W	90W	104W	104W
Delivered lms	8200	8900	10100	10300
LPW	98	98	98	98

8 DIMENSIONAL DIAGRAMS

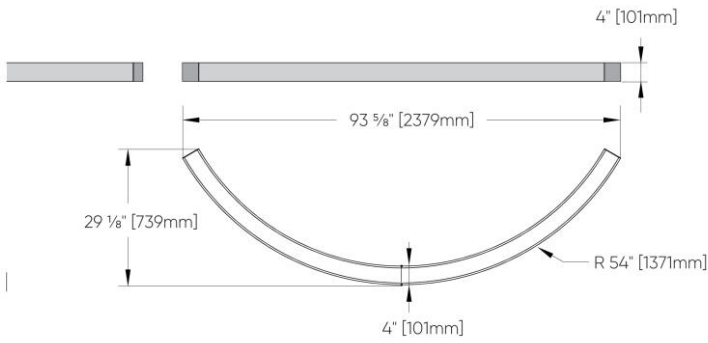
42" Radius



48" Radius



54" Radius



72" Radius

