

# KURL™ - SUSPENDED

Project Name:

Fixture Type:

Fixture Code:

Quantities:



KURL™ - SUSPENDED



# KURL™ - SUSPENDED

**KURL** deviates from the classic geometries of straight lines and circles. Available in 4 radii ranging from 42" to 72", with either a 90° or 120° curve, the interrupted ring brings subtle whimsy to linear lighting, especially when staggered at different angles.

## GENERAL SPECIFICATION

### Body and trim

Steel and aluminum.

### Power cable

Silver braided.

### Integral Emergency system

Emergency option provides a 1.5 hour (3 hours for EU) emergency lighting facility. The self contained system includes the inverter module, NiCad batteries, LED charge indicator and test switch (NA only). Not available with a 347V supply.

### Drivers

HPF electronic drivers for 120-277V, 347V (EU-240V). Drivers are integral to the fixture housing.

### Mechanical

Luminaires mount directly over J box (by others - North America only).

### Sensors

Consult factory regarding sensor compatibility.

### Approvals

Damp Rated.

### Finish

Powder coated.

### Diffusers

Opal polycarbonate direct/Clear or opal polycarbonate indirect.

### Suspension

Steel cables. Recommended minimum mounting heights from ceiling: 12" (305mm) for white LEDs and 24" (610mm) for colored LEDs.

### PoE

Kurl can integrate into your data network via Power over Ethernet (PoE) connectivity.

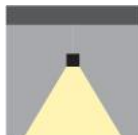
### Delivered Lumens

Delivered lumens & LPW based on 4000K (min 80 CRI) for White LEDs only.

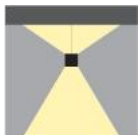
### Reported L70 @25°C (77°F)

> 50,000 hrs.

## MOUNTING & OPTICS



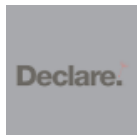
Suspended Direct



Suspended Direct/Indirect



RGBW



Declare



PoE

# KURL™ - SUSPENDED

## HOW TO ORDER

### A. LUMINAIRE

<b>KURP1P42</b> 42" radius Direct, 8200lms	<b>KURP1P48</b> 48" radius Direct, 8900lms	<b>KURP1P54</b> 54" radius Direct, 10100 lms	<b>KURP1P72</b> 72" radius Direct, 10300 lms
<b>KURP2P42</b> 42" radius Direct/Indirect, 8100/4100 lms	<b>KURP2P48</b> 48" radius Direct/Indirect, 8800/4100 lms	<b>KURP2P54</b> 54" radius Direct/Indirect, 10200/4100 lms	<b>KURP2P72</b> 72" radius Direct/Indirect, 10300/4200 lms

All data shown is based on white LEDs only. See Performance Data page for all information including RGBW.  
Recommended minimum suspension length: 12" (305mm) for white LED's and 24" (610mm) for RGBW.

### B. LUMENS/FT (DIRECT)

<b>LPF055</b> 550 lm/ft <sup>1</sup>	<b>LPF082</b> 825 lm/ft <sup>2</sup>	<b>LPF110</b> 1100 lm/ft <sup>3</sup>
--------------------------------------	--------------------------------------	---------------------------------------

<sup>1</sup> Based on 50% of total output.

<sup>2</sup> Based on 75% of total output.

<sup>3</sup> 100% of total output.

### C. LUMENS/FT (INDIRECT)

<b>LPG000</b> Not required	<b>LPG025</b> 250 lm/ft <sup>1</sup>	<b>LPG037</b> 375 lm/ft <sup>2</sup>	<b>LPG050</b> 500 lm/ft <sup>3</sup>
----------------------------	--------------------------------------	--------------------------------------	--------------------------------------

<sup>1</sup> Based on 50% of total output.

<sup>2</sup> Based on 75% of total output.

<sup>3</sup> 100% of total output.

### D. CRI

<b>CR80</b> CRI 80+	<b>CR90</b> CRI 90+
---------------------	---------------------

### E. CCT (DIRECT)

<b>CTA30</b> 3000K	<b>CTA35</b> 3500K	<b>CTA40</b> 4000K	<b>CTA50</b> RGBW
--------------------	--------------------	--------------------	-------------------

### F. CCT (INDIRECT)

<b>CTB00</b> Not required <b>CTB50</b> RGBW	<b>CTB30</b> 3000K	<b>CTB35</b> 3500K	<b>CTB40</b> 4000K
--	--------------------	--------------------	--------------------

### G. UPLIGHT DIFFUSER

<b>UD0</b> Not required	<b>UD1</b> Clear diffuser	<b>UD2</b> Opal diffuser <sup>1</sup>
-------------------------	---------------------------	---------------------------------------

<sup>1</sup> 10% reduction on indirect lms.

### H. VOLTAGE

<b>V1</b> 120/277V	<b>V2</b> 240V <sup>1</sup>	<b>V3</b> 347V <sup>2</sup>	<b>V4</b> Low Voltage <sup>3</sup>
--------------------	-----------------------------	-----------------------------	------------------------------------

<sup>1</sup> Not available in North America.

<sup>2</sup> Available with DA01 dimming only.

<sup>3</sup> Available with DA45 dimming only.

# KURL™ - SUSPENDED

## I. DIMMING (DIRECT)

**DA01** 0-10V Dimming 1.0%  
**DA30** DSI/switchDim<sup>1 2</sup>

**DA02** 0-10V Dimming 0.1%<sup>1</sup>  
**DA40** DMX Dimming<sup>1 4</sup>

**DA20** DALI Dimming 0.1%<sup>1</sup>  
**DA45** PoE<sup>3</sup>

**DA21** DALI Dimming 1.0%<sup>1</sup>

<sup>1</sup> Available with V1 or V2 only.

<sup>2</sup> Not available in North America.

<sup>3</sup> Available with V4 only.

## J. DIMMING (INDIRECT)

**DB00** Not required  
**DB21** DALI Dimming 1.0%<sup>1</sup>

**DB01** 0-10V Dimming 1.0%  
**DB30** DSI/switchDim<sup>1 2</sup>

**DB02** 0-10V Dimming 0.1%<sup>1</sup>  
**DB40** DMX Dimming<sup>1 4</sup>

**DB20** DALI Dimming 0.1%<sup>1</sup>  
**DB45** PoE<sup>3</sup>

<sup>1</sup> Available with V1 or V2 only.

<sup>2</sup> Not available in North America.

<sup>3</sup> Available with V4 only.

<sup>4</sup> Available with CTB50 only.

## K. FIXTURE FINISH

**FA01** White  
**FA27** Wood grain - Light Cherry<sup>1</sup>  
**FA46** Charcoal Metallic - Textured

**FA02** Black Metallic - Textured  
**FA28** Wood grain - Dark Walnut<sup>1</sup>  
**FA47** Bronze Metallic - Textured

**FA20** Silver Metallic - Textured  
**FA44** Midnight Blue Metallic - Textured  
**FA52** Champagne Metallic

**FA25** Gold Metallic - Textured  
**FA45** Copper Metallic  
**FA53** Red Metallic - Textured

<sup>1</sup> Longer lead time may apply, consult factory.

## L. CANOPY FINISH

**CF01** White  
**CF44** Midnight Blue Metallic - Textured  
**CF52** Champagne Metallic

**CF02** Black Metallic - Textured  
**CF45** Copper Metallic  
**CF53** Red Metallic - Textured

**CF20** Silver Metallic - Textured  
**CF46** Charcoal Metallic - Textured

**CF25** Gold Metallic - Textured  
**CF47** Bronze Metallic - Textured

## M. EMERGENCY

**E0** Not required

**E1** Emergency system - Integral<sup>1</sup>

<sup>1</sup> Not available with V3.

## N. CIRCUITS

**CS1** Single circuit

**CS2** Dual circuit

## O. CONTROLS

**CO** Not required

**C1** Encelium/Zigbee<sup>1</sup>

<sup>1</sup> Not available with V3.

# KURL™ - SUSPENDED

## TECHNICAL DATA

### LUMINAIRE

All data shown is based on white LEDs only. See Performance Data page for all information including RGBW.

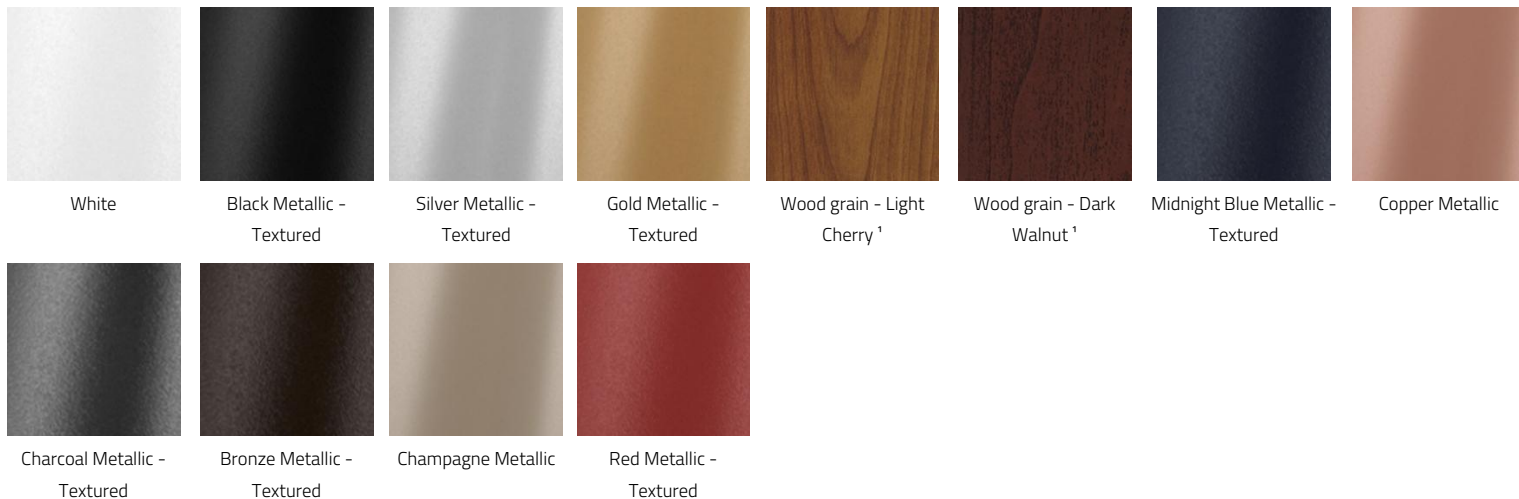
Recommended minimum suspension length: 12" (305mm) for white LED's and 24" (610mm) for RGBW.

Code	KURP1P42	KURP1P48	KURP1P54	KURP1P72	KURP2P42	KURP2P48
Radius (A)	42"	48"	54"	72"	42"	48"
Arc°	120°	120°	120°	90°	120°	120°
Light Direction	Direct	Direct	Direct	Direct	Direct/Indirect	Direct/Indirect
Wattage	83W	90W	104W	104W	125W	132W
Direct lms	8200	8900	10100	10300	8100	8800
Indirect lms					4100	4100
Down/Up Ratio	100/0	100/0	100/0	100/0		
LPW	98	98	98	98	98	98
Weight	20lb	24lb	26lb	26lb	20lb	24lb

Code	KURP2P54	KURP2P72
Radius (A)	54"	72"
Arc°	120°	90°
Light Direction	Direct/Indirect	Direct/Indirect
Wattage	146W	146W
Direct lms	10200	10300
Indirect lms	4100	4200
Down/Up Ratio		
LPW	98	98
Weight	26.5lb	26.5lb

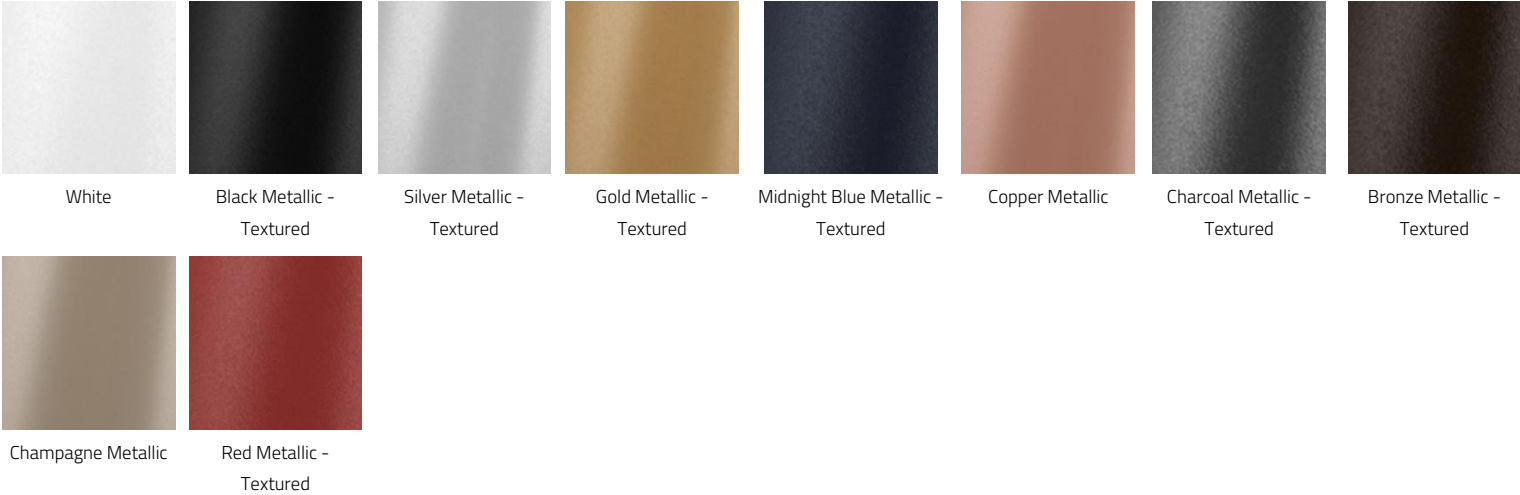
## FINISH



<sup>1</sup> Longer lead time may apply, consult factory.

# KURL™ - SUSPENDED

## CANOPY FINISH



## APPROVALS

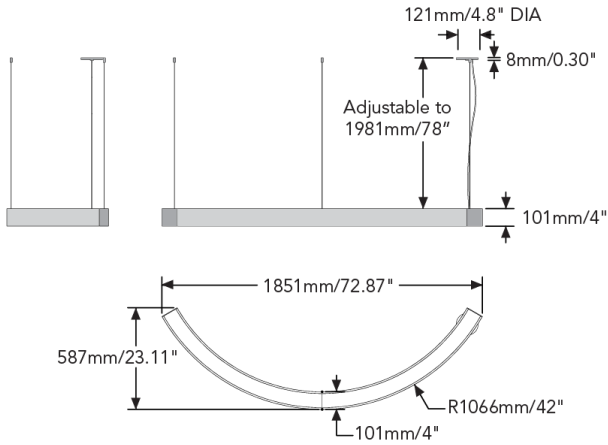


# KURL™ - SUSPENDED

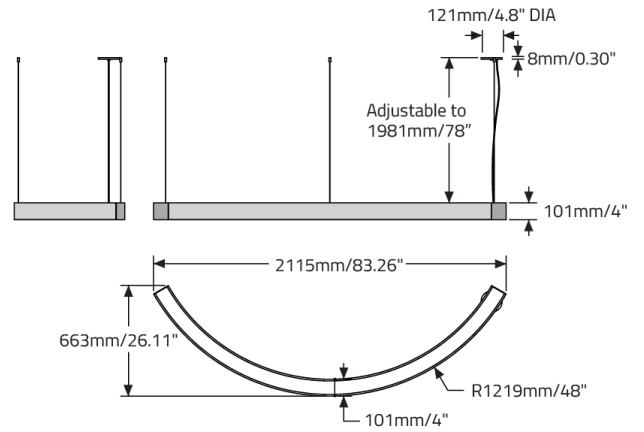
## DIMENSIONAL DIAGRAMS

### Kurl Radius

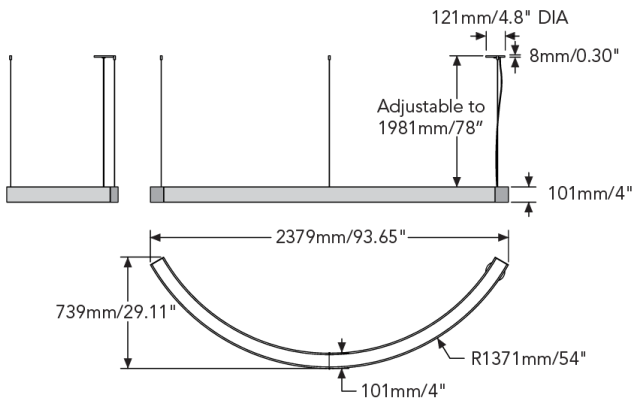
#### 42" Radius



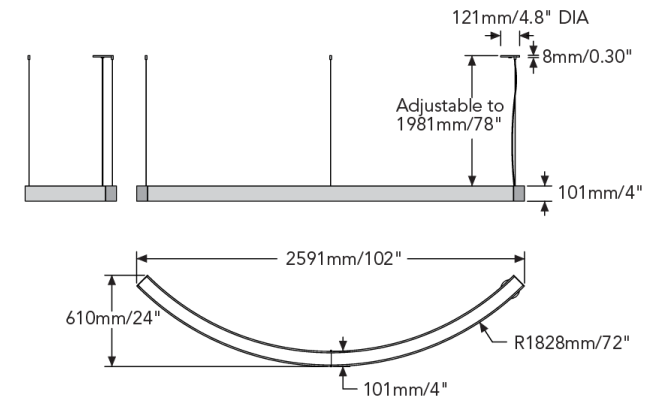
#### 48" Radius



#### 54" Radius



#### 72" Radius

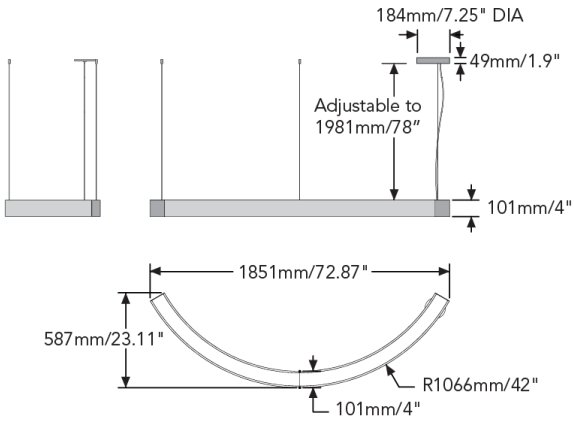




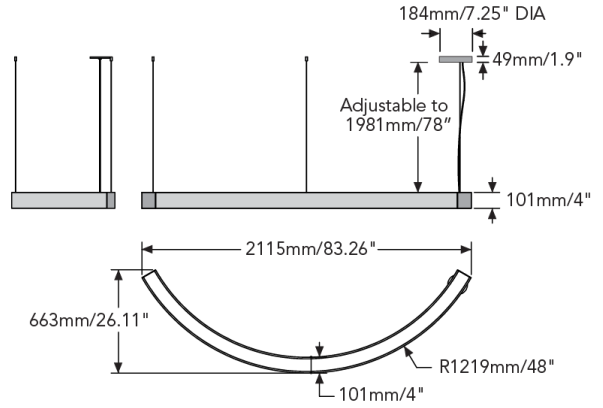
# KURL™ - SUSPENDED

**Kurl**  
RGBW Radius

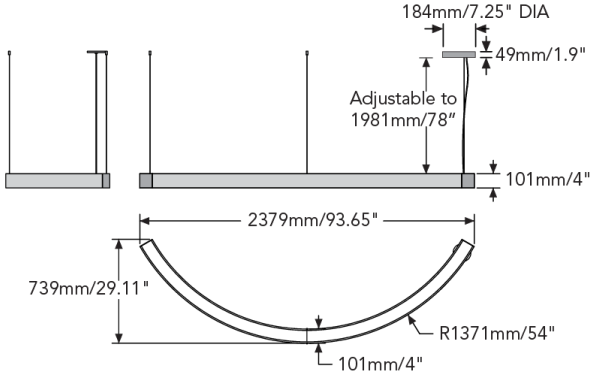
## 42" RGBW Radius



## 48" RGBW Radius



## 54" RGBW Radius



## 72" RGBW Radius

