

KURL™ - SUSPENDED



Project Name:

Fixture Type:

Fixture Code:

Quantities:

A. LUMINAIRE

KURP1P42 42" radius Direct, 8200lms	KURP1P48 48" radius Direct, 8900lms	KURP1P54 54" radius Direct, 10100 lms	KURP1P72 72" radius Direct, 10300 lms
KURP2P42 42" radius Direct/Indirect, 8100/4100 lms	KURP2P48 48" radius Direct/Indirect, 8800/4100 lms	KURP2P54 54" radius Direct/Indirect, 10200/4100 lms	KURP2P72 72" radius Direct/Indirect, 10300/4200 lms

All data shown is based on white LEDs only. See Performance Data page for all information including RGBW. Recommended minimum suspension length: 12" (305mm) for white LED's and 24" (610mm) for RGBW.

B. LUMENS/FT (DIRECT)

LPF055 550 lm/ft ¹	LPF082 825 lm/ft ²	LPF110 1100 lm/ft ³
--------------------------------------	--------------------------------------	---------------------------------------

¹ Based on 50% of total output.

² Based on 75% of total output.

³ 100% of total output.

C. LUMENS/FT (INDIRECT)

LPG000 Not required	LPG025 250 lm/ft ¹	LPG037 375 lm/ft ²	LPG050 500 lm/ft ³
----------------------------	--------------------------------------	--------------------------------------	--------------------------------------

¹ Based on 50% of total output.

² Based on 75% of total output.

³ 100% of total output.

D. CRI

CR80 CRI 80+	CR90 CRI 90+
---------------------	---------------------

E. CCT (DIRECT)

CTA30 3000K	CTA35 3500K	CTA40 4000K	CTA50 RGBW
--------------------	--------------------	--------------------	-------------------

F. CCT (INDIRECT)

CTB00 Not required	CTB30 3000K	CTB35 3500K	CTB40 4000K
CTB50 RGBW			

G. UPLIGHT DIFFUSER

UD0 Not required	UD1 Clear diffuser	UD2 Opal diffuser ¹
-------------------------	---------------------------	---------------------------------------

¹ 10% reduction on indirect lms.

H. VOLTAGE

V1 120/277V	V2 240V ¹	V3 347V ²	V4 Low Voltage ³
--------------------	-----------------------------	-----------------------------	------------------------------------

¹ Not available in North America.

² Available with DA01 dimming only.

³ Available with DA45 dimming only.



KURL™ - SUSPENDED

I. DIMMING (DIRECT)

DA01 0-10V Dimming 1.0%
DA30 DSI/switchDim^{1 2}

DA02 0-10V Dimming 0.1%¹
DA40 DMX Dimming^{1 4}

DA20 DALI Dimming 0.1%¹
DA45 PoE³

DA21 DALI Dimming 1.0%¹

¹ Available with V1 or V2 only.

² Not available in North America.

³ Available with V4 only.

J. DIMMING (INDIRECT)

DB00 Not required
DB21 DALI Dimming 1.0%¹

DB01 0-10V Dimming 1.0%
DB30 DSI/switchDim^{1 2}

DB02 0-10V Dimming 0.1%¹
DB40 DMX Dimming^{1 4}

DB20 DALI Dimming 0.1%¹
DB45 PoE³

¹ Available with V1 or V2 only.

² Not available in North America.

³ Available with V4 only.

⁴ Available with CTB50 only.

K. FIXTURE FINISH

FA01 White
FA27 Wood grain - Light Cherry¹
FA46 Charcoal Metallic - Textured

FA02 Black Metallic - Textured
FA28 Wood grain - Dark Walnut¹
FA47 Bronze Metallic - Textured

FA20 Silver Metallic - Textured
FA44 Midnight Blue Metallic - Textured
FA52 Champagne Metallic

FA25 Gold Metallic - Textured
FA45 Copper Metallic
FA53 Red Metallic - Textured

¹ Longer lead time may apply, consult factory.

L. CANOPY FINISH

CF01 White
CF44 Midnight Blue Metallic - Textured
CF52 Champagne Metallic

CF02 Black Metallic - Textured
CF45 Copper Metallic
CF53 Red Metallic - Textured

CF20 Silver Metallic - Textured
CF46 Charcoal Metallic - Textured

CF25 Gold Metallic - Textured
CF47 Bronze Metallic - Textured

M. EMERGENCY

E0 Not required

E1 Emergency system - Integral¹

¹ Not available with V3.

N. CIRCUITS

CS1 Single circuit

CS2 Dual circuit

O. CONTROLS

CO Not required

C1 Encelium/Zigbee¹

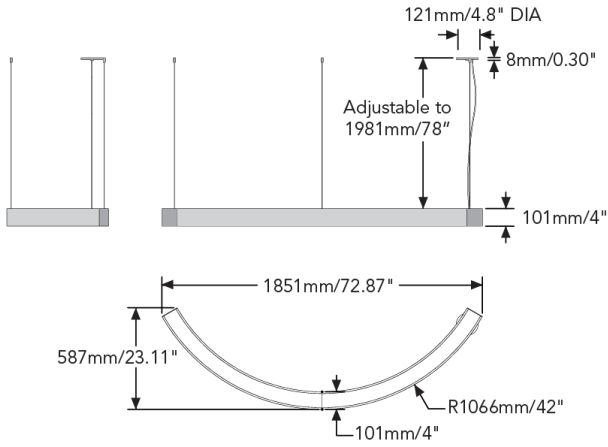
¹ Not available with V3.

KURL™ - SUSPENDED

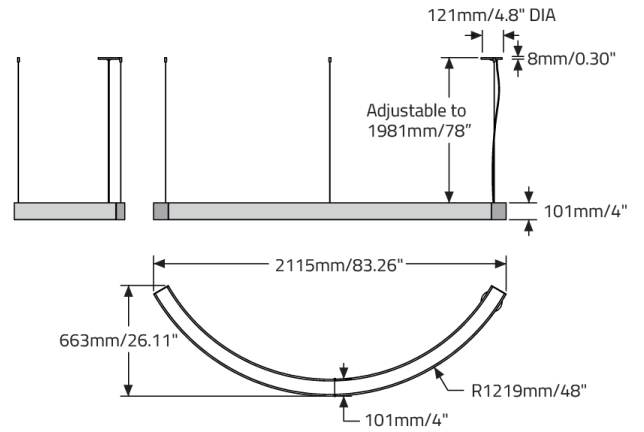
DIMENSIONAL DIAGRAMS

Kurl Radius

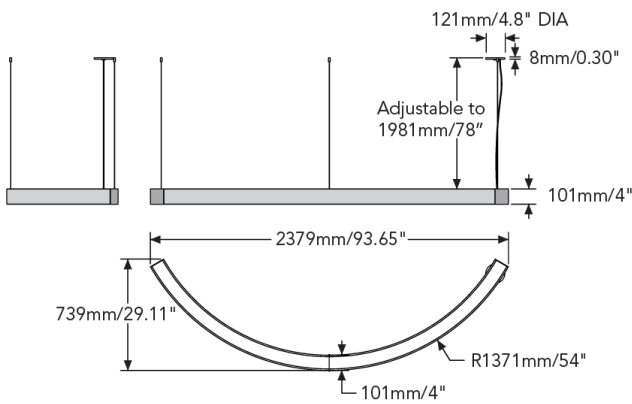
42" Radius



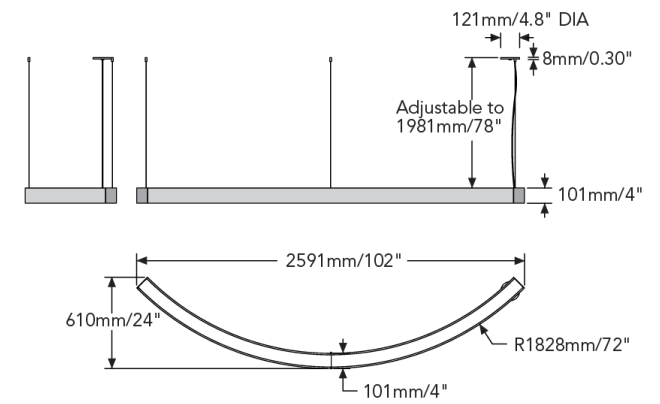
48" Radius



54" Radius

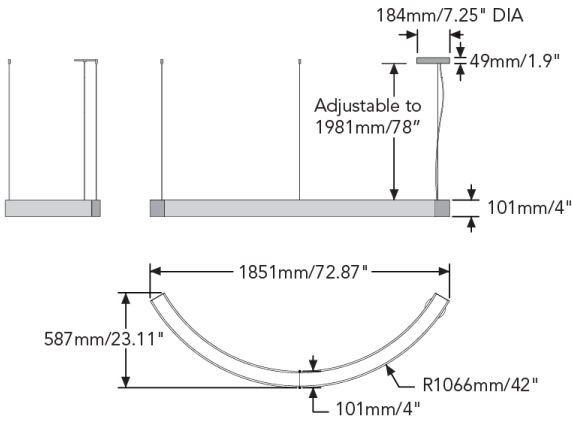


72" Radius

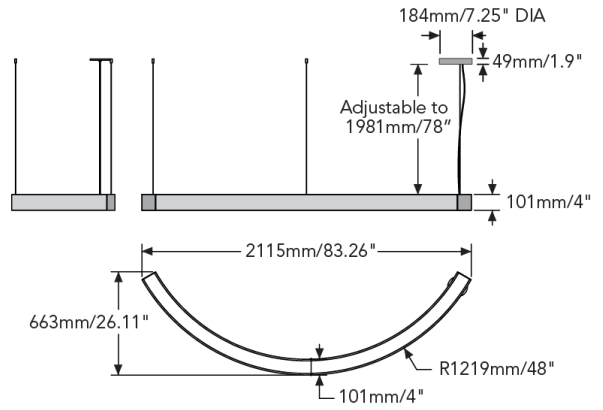


Kurl
RGBW Radius

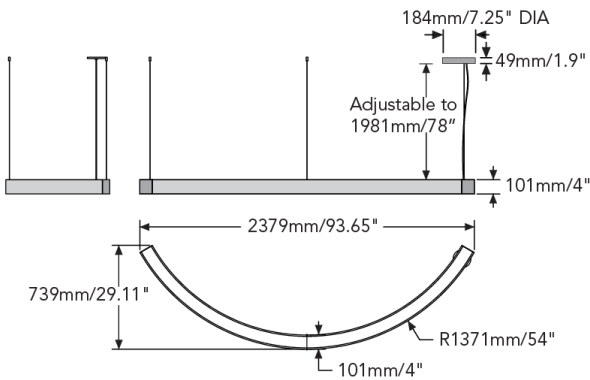
42" RGBW Radius



48" RGBW Radius



54" RGBW Radius



72" RGBW Radius

