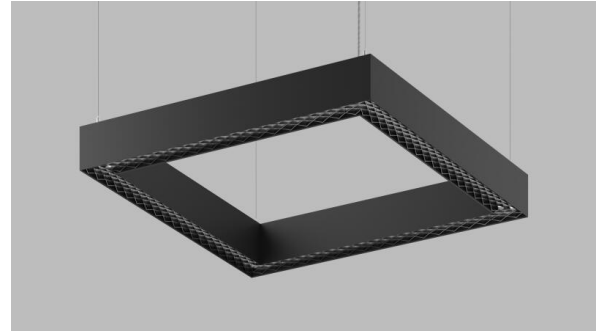




LE LOUVRE QUAD™

SHORT SPECIFICATION SHEET



Fixture Type

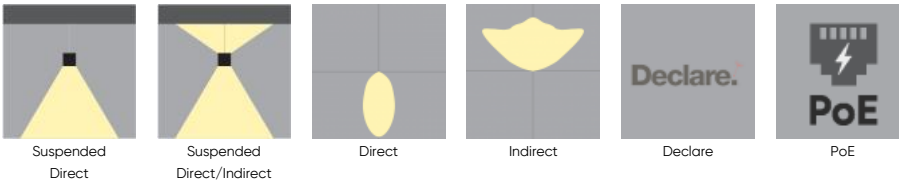
Fixture Code

Quantities

1 DESCRIPTION

The striking new concept in louver technology is disrupting the linear lighting category, and taking glare control to new heights. Our award-winning design with diagonal cross-hatched construction of the louver in a soft concave shape provides not just visual comfort but a touch of panache unseen in traditional linear lighting. Louvers are available in white for higher performance, black for the highest glare control, and rich satinized finishes – chrome, gold, champagne, for elegant interior designs. Use our new preconfigured quads to create and complement grid effects.

2 MOUNTING & OPTICS



Suspended
Direct

Suspended
Direct/Indirect

Direct

Indirect

Declare

PoE

3 APPROVALS



4 GENERAL SPECIFICATION

BODY

Aluminum.

FINISH

Powder coated.

SUSPENSION

Steel cables.

INTEGRAL EMERGENCY SYSTEM

Emergency option provides a 1.5 hour (3 hours for EU) emergency lighting facility. The self contained system includes the inverter module, NiCad batteries, LED charge indicator and test switch (NA only). Not available with a 347V supply.

POE

Can integrate into your data network via Power over Ethernet (PoE) connectivity.

MECHANICAL

Luminaires mount directly over J box (by others - North America only).

TUNABLE WHITE

Tunable White range from 2700K to 6500K is available; contact the factory for details.

REPORTED L70 @25°C (77°F)

> 60,000 hrs @ 2000 lumens/ft (6000 lumens/m)

DELIVERED LUMENS

Delivered lumens & LPW based on 4000K, CRI 80+.

DESIGNED BY

Serge Cornelissen.

POWER CABLE

Silver braided.

DRIVERS

HPF electronic drivers for 120-277V, 347V (EU-240V). The driver is integral to the fixture housing.

DIFFUSERS

Opal Acrylic. 2.4" width

SENSORS

Compatible with Avi-On, Casambi, Enlighted, Lutron Vive, nLight, NX Lighting Controls, Osram, Philips, and others. Consult factory.

RGBW

RGBW available, consult factory.

ESTIMATED L70 @25°C (77°F)

>165,000 hrs @ 2000 lumens/ft (6000 lumens/m)

APPROVALS

Damp Rated.

DESIGN

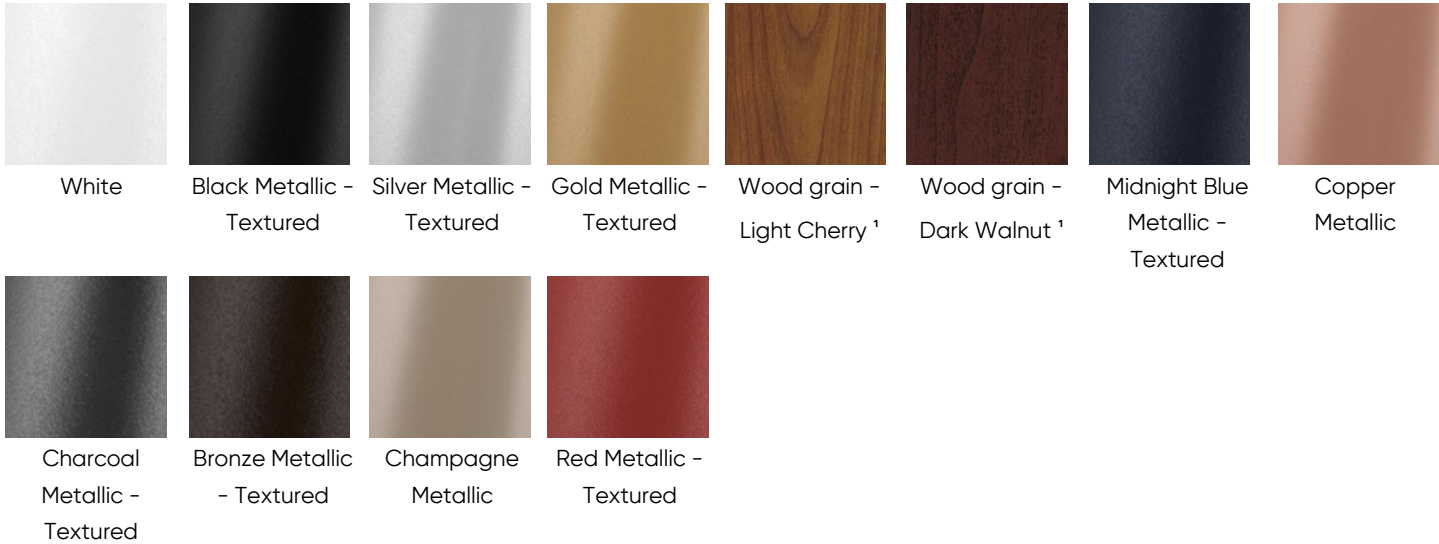
US Pat. No. D959,043.

5 DESIGN OPTIONS

LOUVER

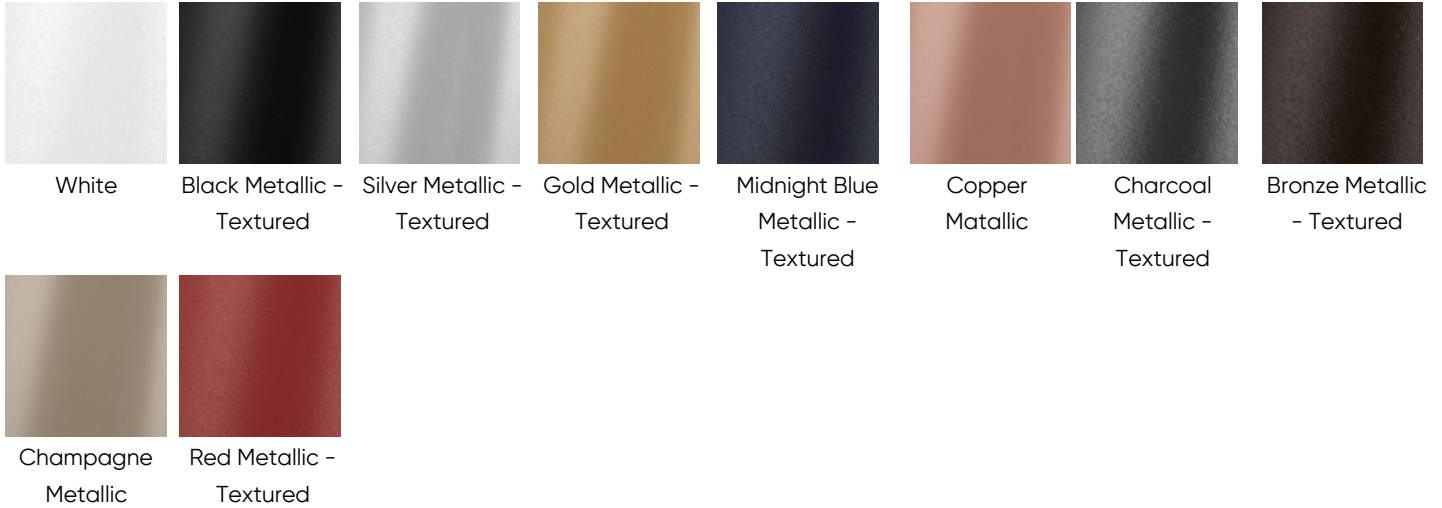


FIXTURE FINISH



¹ Longer than normal lead times may apply, consult factory.

CANOPY FINISH



6 HOW TO ORDER

A. LUMINAIRE

LELQ1P01 32" Sq, Direct	LELQ1P02 56" Sq, Direct	LELQ1P05 32" x 56", Direct	LELQ2P01 32" Sq, Direct/Indirect
LELQ2P02 56" Sq, Direct/Indirect	LELQ2P05 32" x 56", Direct/Indirect		

For larger sizes, refer to Le Louvre Systems.
One power cord for every 50 linear ft.

B. LOUVER

LV1 Frosted	LV2 Black	LV4 Satin Chrome	LV6 Satin Gold
LV9 Satin Champagne			

C. LUMENS/FT (DIRECT)

LPF010 100 lm/ft	LPF020 200 lm/ft ¹	LPF030 300 lm/ft ²	LPF040 400 lm/ft ³
LPF050 500 lm/ft	LPF060 600 lm/ft	LPF070 700 lm/ft	LPF080 800 lm/ft
LPF100 1000 lm/ft	LPF120 1200 lm/ft		

Lumens/ft are determined by the color of the Louver. Consult website for available lumens/ft based on selected louver.

D. LUMENS/FT (INDIRECT)

LPG000 Not required	LPG025 250 lm/ft	LPG050 500 lm/ft	LPG075 750 lm/ft
LPG100 1000 lm/ft	LPG120 1200 lm/ft	LPG160 1600 lm/ft	

E. CRI

CR80 CRI 80+ **CR90** CRI 90+

F. CCT (DIRECT)

CTA27 2700K **CTA30** 3000K **CTA35** 3500K **CTA40** 4000K

G. CCT (INDIRECT)

CTB00 Not required **CTB30** 3000K **CTB35** 3500K **CTB40** 4000K

H. DIRECT DIFFUSER

DD4 Comfort diffuser

I. INDIRECT DIFFUSER

UD0 Not required **UD1** Clear diffuser (Batwing)

J. BLACKOUT PLATE

UB00 Not required **UB_ _** Blackout plate ¹

¹ Available on a per foot basis. May be required to prevent lighting up duct work in a loft type application.

K. VOLTAGE

V1 120/277V **V2** 240V ¹ **V3** 347V ² **V4** Low Voltage ³

¹ Not available in North America.

² Available with DA01 dimming only.

³ Available with DA45 dimming only.

L. DIMMING (REMOTE)

DA01 0–10V Dimming 1.0% ¹ **DA02** 0–10V Dimming 0.1% ¹ **DA20** DALI Dimming 0.1% ^{1 2} **DA21** DALI Dimming 1.0% ^{1 2}
DA30 DSI/switchDim **DA45** PoE ³

¹ Not available with V3.

² Available with V4 only.

M. CEILING TYPE

G1 Grid ceiling ¹

H1 Hard ceiling ²

The cost of canopies, power cables, connection mechanisms and endcaps for the fixture has been added to these items.

¹ Combo kit provided includes installation to T-bar and through tile mount.

² Designed for drywall ceilings.

N. SUSPENSION

HLA03 3ft cable suspension

HLA06 6ft cable suspension

HLA09 9ft cable suspension

O. FIXTURE FINISH

FA01 White

FA02 Black Metallic - Textured

FA20 Silver Metallic - Textured

FA25 Gold Metallic - Textured

FA27 Wood grain - Light Cherry ¹

FA28 Wood grain - Dark Walnut ¹

FA44 Midnight Blue Metallic -
Textured

FA45 Copper Metallic

FA46 Charcoal Metallic -
Textured

FA47 Bronze Metallic - Textured

FA52 Champagne Metallic

FA53 Red Metallic - Textured

¹ Longer than normal lead times may apply, consult factory.

P. CANOPY FINISH

CF01 White

CF02 Black Metallic - Textured

CF20 Silver Metallic - Textured

CF25 Gold Metallic - Textured

CF44 Midnight Blue Metallic -
Textured

CF45 Copper Metallic

CF46 Charcoal Metallic -
Textured

CF47 Bronze Metallic - Textured

CF52 Champagne Metallic

CF53 Red Metallic - Textured

Q. EMERGENCY

E0 Not required

E1 Emergency system - Integral ¹

E3 Emergency generator circuit ¹

¹ Available upon request, consult factory for details. Not available in 347V.

R. CIRCUITS

CS1 Single circuit

CS2 Dual circuit

S. SENSORS

7 PERFORMANCE DATA

DIRECT FROSTED LOUVER WITH COMFORT LENS (DD4)

	LUMEN/FT	WATT/FT	LPW
	1200	13	101
	1000	9	107
	800	7	109
	700	6	111
	600	5	115
	500	4	115
	400	3	115
	300	3	116
	200	2	121

DIRECT BLACK LOUVER WITH COMFORT LENS (DD4)

	LUMEN/FT	WATT/FT	LPW
	500	13	40
	400	9	42
	300	7	43
	200	5	45
	100	2	47

DIRECT SATIN CHROME LOUVER WITH COMFORT LENS (DD4)

	LUMEN/FT	WATT/FT	LPW
	800	13	60
	700	11	60
	600	9	63
	500	7	65
	400	5	68
	300	3	68
	200	3	68
	100	2	69

DIRECT SATIN GOLD LOUVER WITH DIFFUSED LENS (DD4)

	LUMEN/FT	WATT/FT	LPW
	800	13	59
	700	11	59
	600	9	62
	500	7	63
	400	5	66
	300	3	66
	200	3	66
	100	2	68

DIRECT SATIN CHAMPAGNE LOUVER WITH COMFORT LENS (DD4)

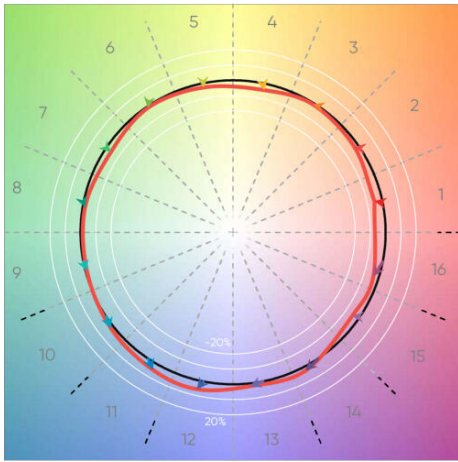
	LUMEN/FT	WATT/FT	LPW
	800	13	60
	700	11	60
	600	9	63
	500	7	65
	400	5	68
	300	3	68
	200	3	68
	100	2	69

INDIRECT BATWING (UD1)

	LUMEN/FT	200	LPW
	1600	13	129
	1200	9	137
	1000	7	140
	750	5	146
	500	3	147
	250	2	152

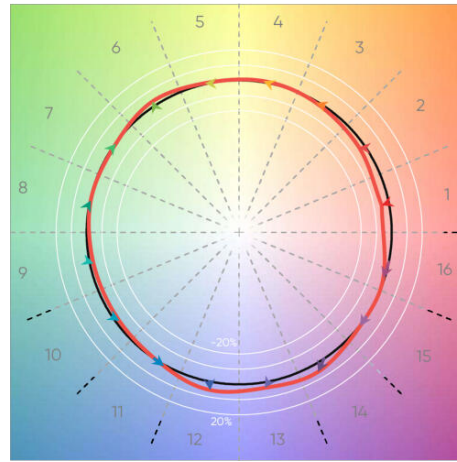
8 TM-30 DATA

CCT 2700K



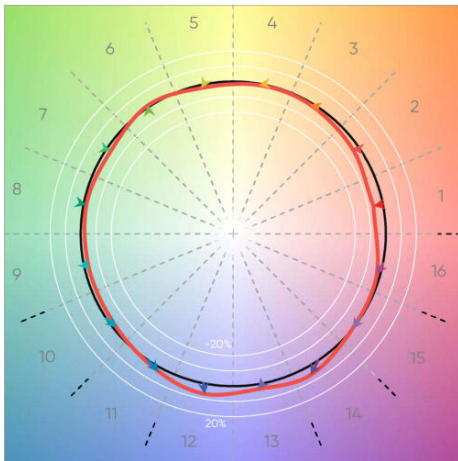
CRI(Ra)	93
CRI(R9)	61
TM30(Rf)	91
TM30(Rg)	98
Duv	-0.0022

CCT 3000K



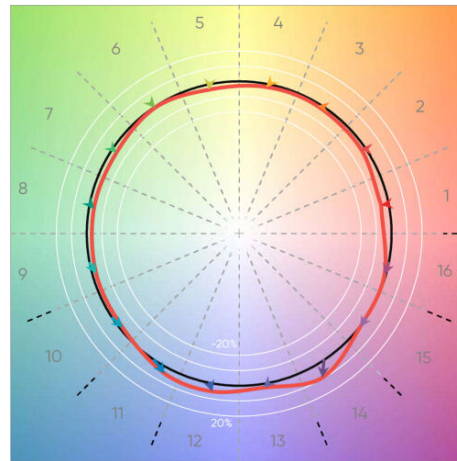
CRI(Ra)	92
CRI(R9)	58
TM30(Rf)	92
TM30(Rg)	100
Duv	-0.0003

CCT 3500K



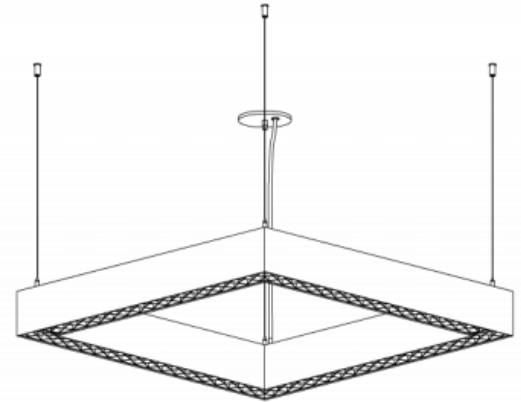
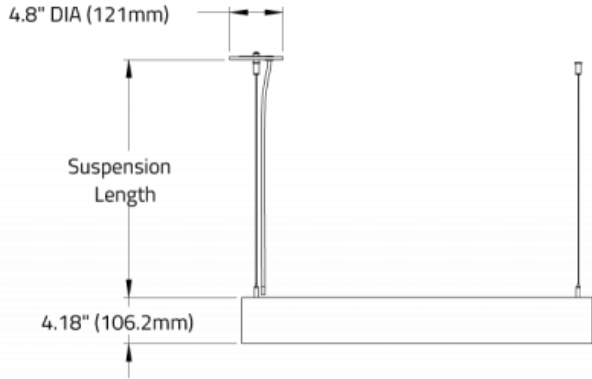
CRI(Ra)	91
CRI(R9)	53
TM30(Rf)	90
TM30(Rg)	99
Duv	-0.0007

CCT 4000K

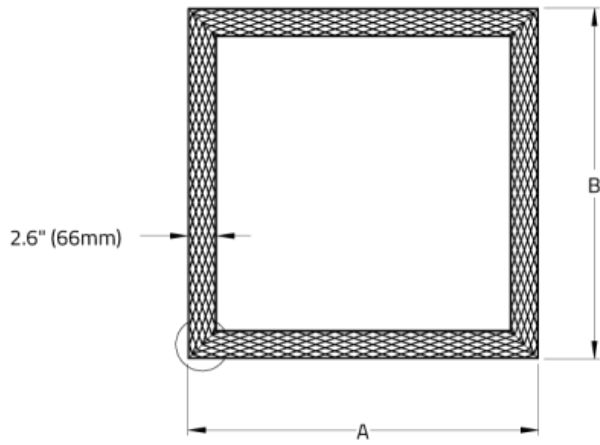


CRI(Ra)	93
CRI(R9)	64
TM30(Rf)	90
TM30(Rg)	98
Duv	0.0000

9 DIMENSIONAL DIAGRAMS



ISOMETRIC BOTTOM VIEW



Luminaire	A	B
LELQ1P01/LELQ2P01	31.76" (806.6mm)	31.76" (806.6mm)
LELQ1P02/LELQ2P02	55.76" (1416.2mm)	55.76" (1416.2mm)
LELQ1P05/LELQ2P05	31.76" (806.6mm)	55.76" (1416.2mm)